

- [54] **BLACKBOARD DESK TOY**
- [75] **Inventor: Pietro Catelli, Como, Italy**
- [73] **Assignee: Artsana S.p.A., Italy**
- [\*\*] **Term: 14 Years**
- [21] **Appl. No.: 518,149**
- [22] **Filed: Jul. 28, 1983**
- [52] **U.S. Cl. .... D21/121; D6/406; D6/420; D19/52; D21/59**
- [58] **Field of Search ..... D6/406, 420, 422, 449, D6/466, 484; D19/52; D21/37, 59, 121**

- [56] **References Cited**  
**U.S. PATENT DOCUMENTS**  
D. 212,541 10/1968 Taylor ..... D6/406 X  
D. 235,458 6/1975 Reiling, Jr. .... D6/420 X  
D. 250,437 12/1978 Korpijaakko et al. .... D6/420 X

- D. 263,158 2/1982 Craig ..... D21/59
- D. 269,196 5/1983 Appel et al. .... D21/59 X
- D. 276,732 12/1984 Marquez ..... D19/52

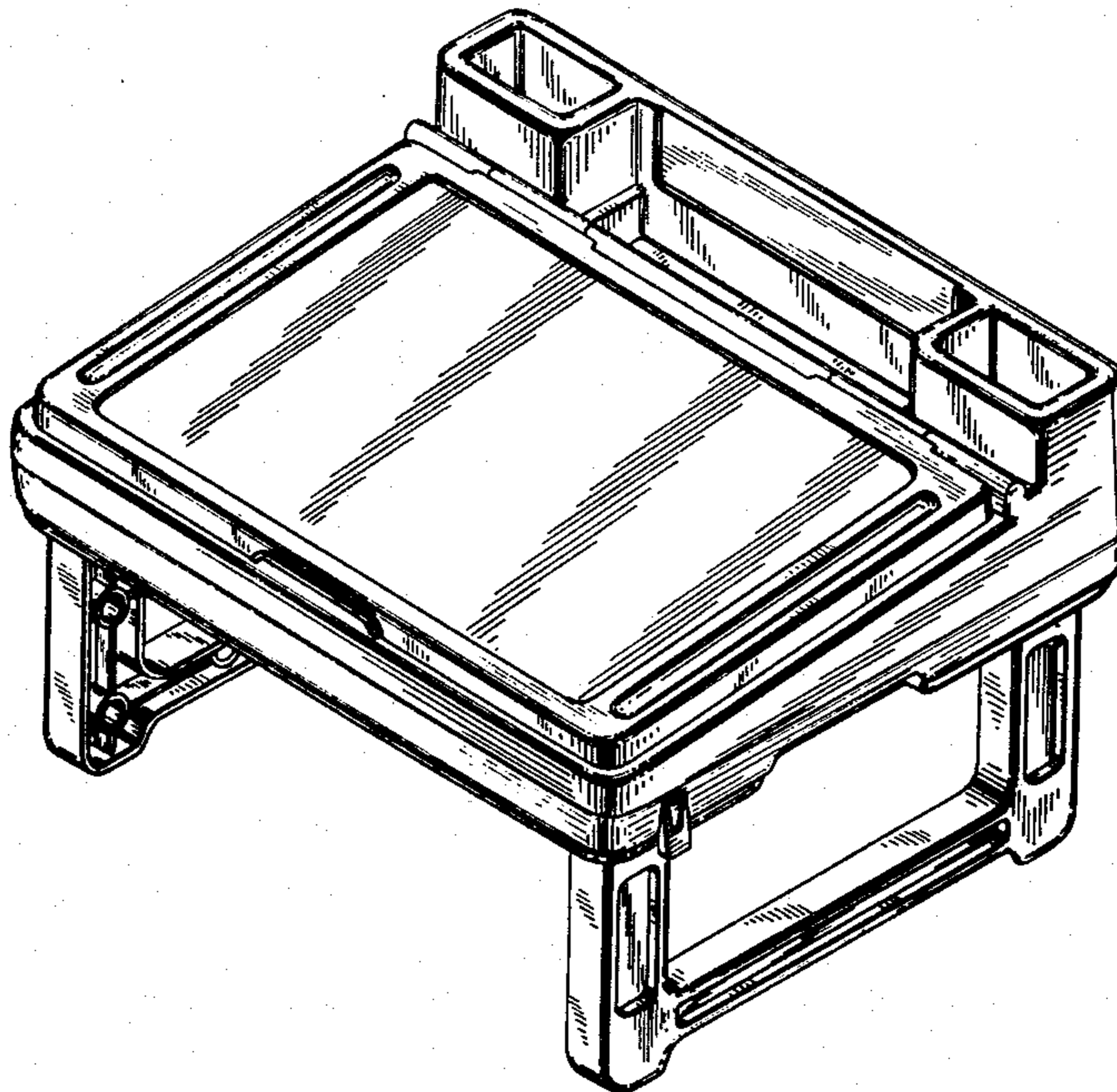
*Primary Examiner*—Bruce W. Dunkins  
*Attorney, Agent, or Firm*—Steinberg & Raskin

[57] **CLAIM**

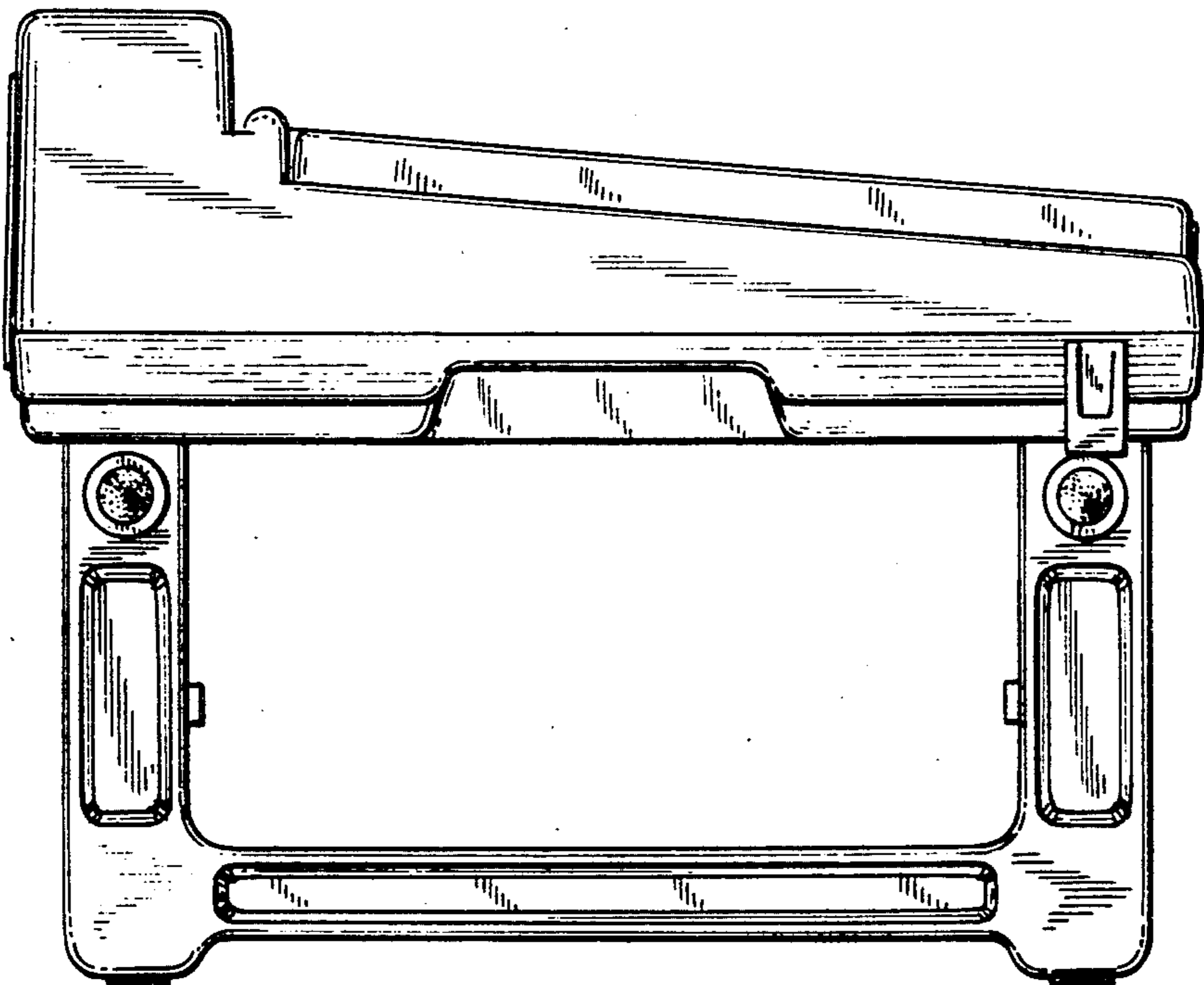
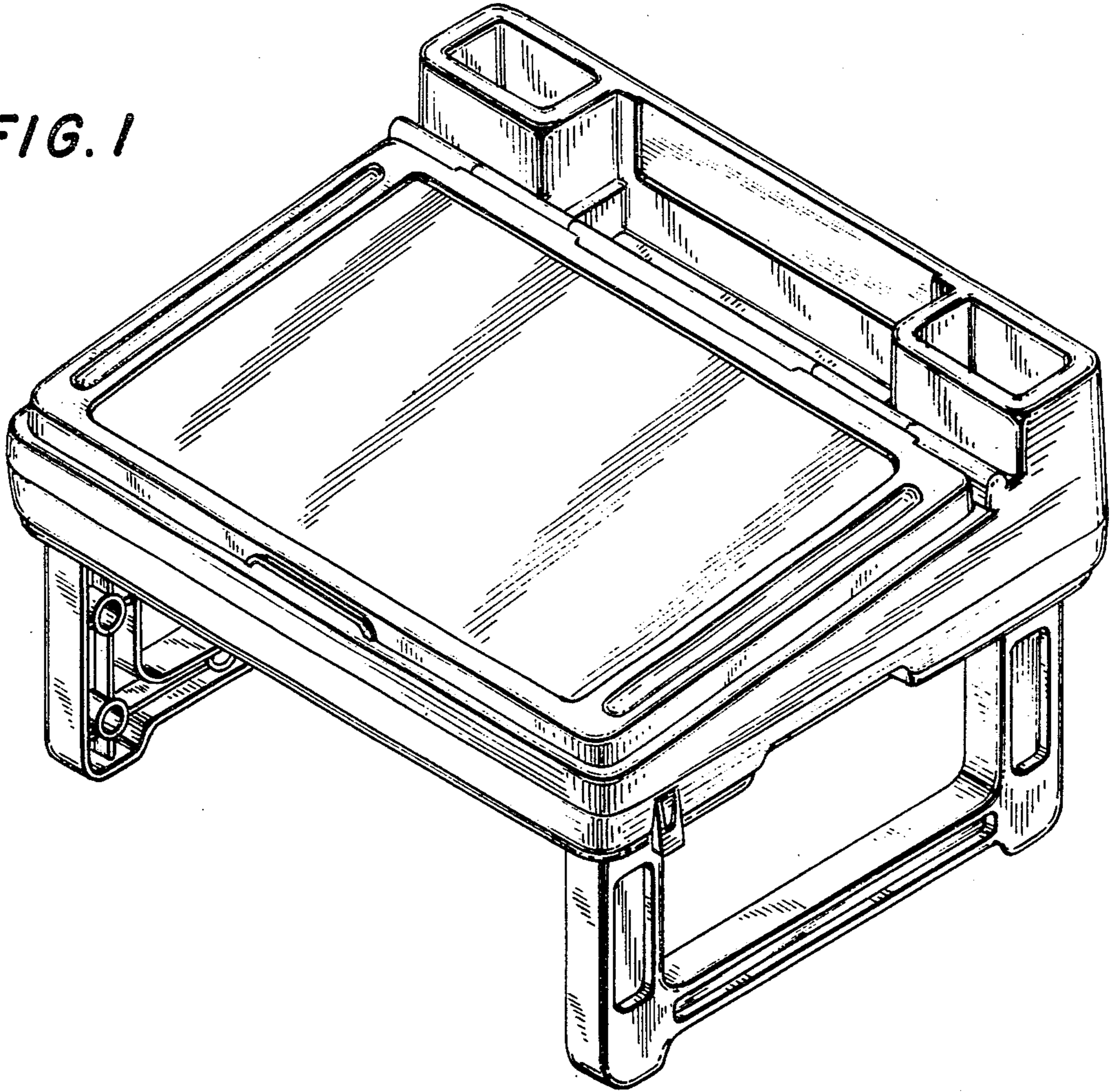
The ornamental design for a blackboard desk toy, as shown and described.

**DESCRIPTION**

FIG. 1 is a perspective view of a blackboard desk toy showing my new design;  
FIG. 2 is a left side elevational view thereof, the right side elevational view being a substantial mirror image;  
FIG. 3 is a top plan view thereof;  
FIG. 4 is a front elevational view thereof;  
FIG. 5 is a rear elevational view thereof; and  
FIG. 6 is a bottom plan view thereof.



*FIG. 1*



*FIG. 2*

FIG. 3

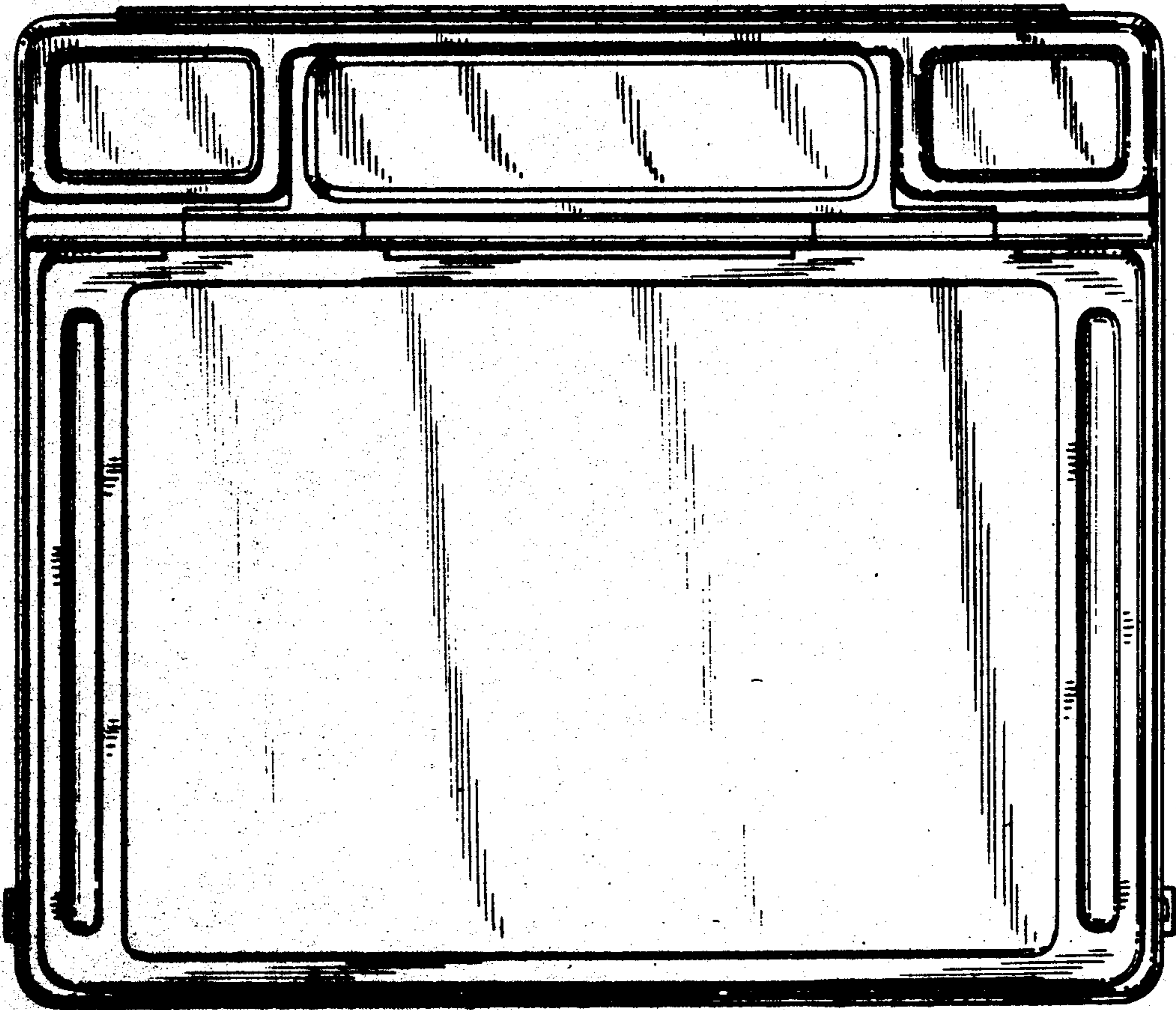
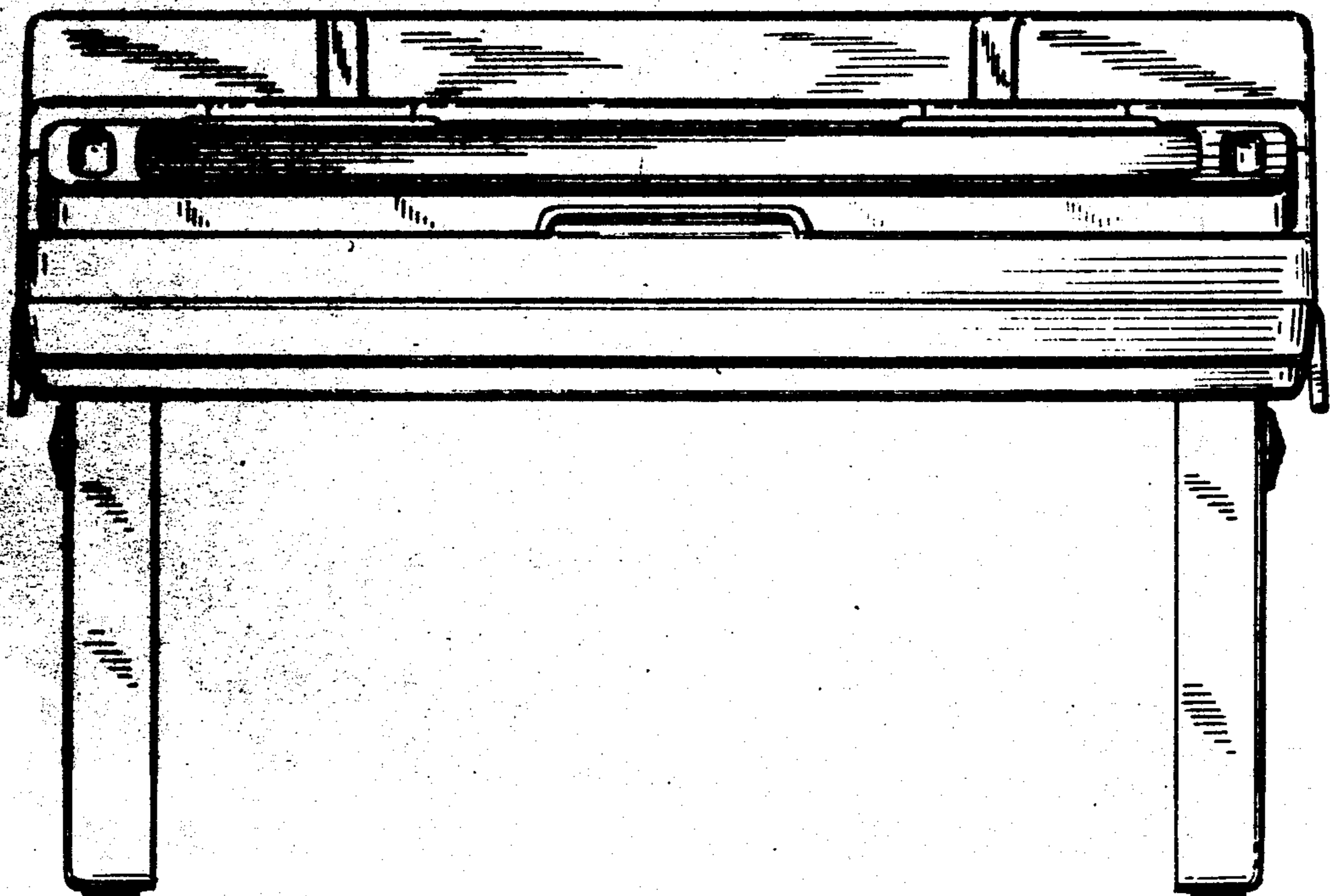
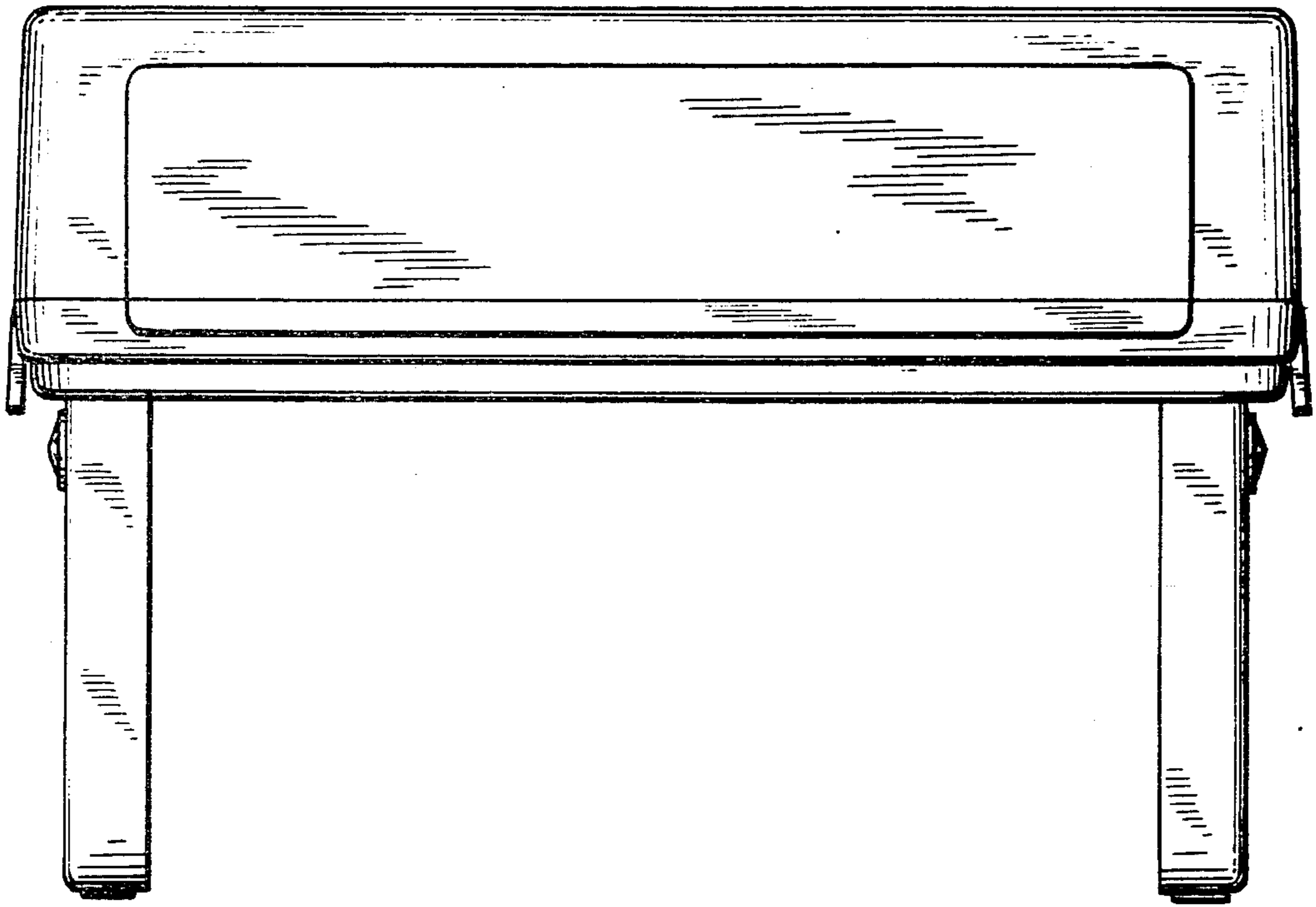


FIG. 4



*FIG. 5*



*FIG. 6*

