

[54] SELF-POWERED DROGUE LIGHT

[75] Inventors: Jerome Brillo; Harry H. Dooley, both of Tucson, Ariz.

[73] Assignee: TLS Systems, Inc., Tucson, Ariz.

[**] Term: 14 Years

[21] Appl. No.: 485,429

[22] Filed: Apr. 15, 1983

[52] U.S. Cl. D26/28; D26/24

[58] Field of Search D26/28-37, D26/24; 362/61, 72, 80, 82, 83, 84, 62, 63, 235, 267, 297, 310, 311, 362, 157, 158

[56] References Cited

U.S. PATENT DOCUMENTS

- D. 60,598 3/1922 Augenstein D26/36
- D. 66,752 3/1925 Reuling D26/35
- D. 128,967 8/1941 Peterson D26/29 X

- D. 230,764 3/1974 La Violette D26/36
- 3,196,266 7/1965 Grosser D26/36 X
- 3,819,926 6/1974 Hess 362/311
- 4,288,845 9/1981 Finsness et al. 362/62 X
- 4,380,788 4/1983 Korski 362/62

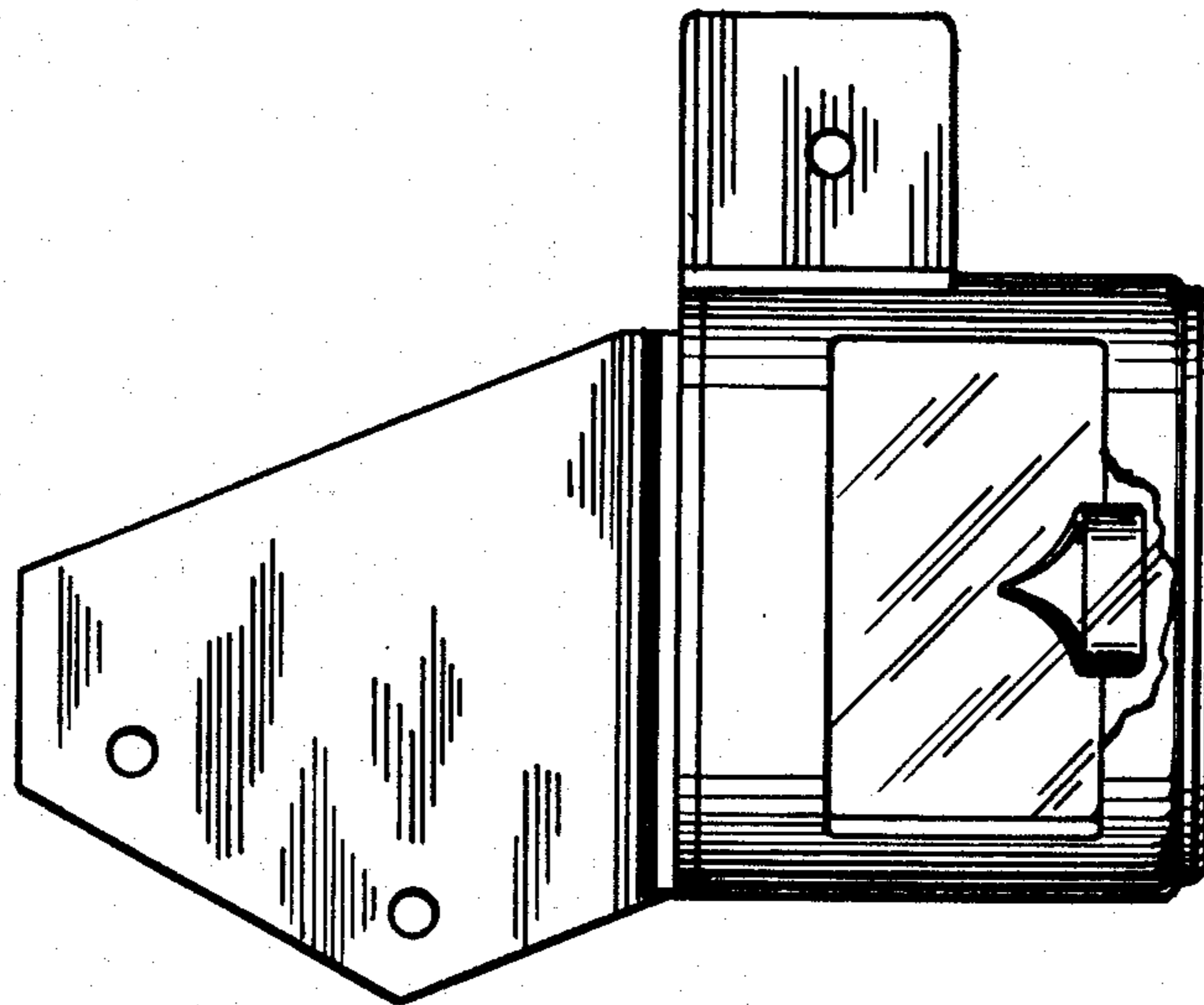
Primary Examiner—Susan J. Lucas
Attorney, Agent, or Firm—Christie, Parker & Hale

[57] CLAIM

The ornamental design for a self-powered drogue light, substantially as shown and described.

DESCRIPTION

FIG. 1 is a left side elevation view, partially broken away, of a self-powered drogue light showing the new design;
 FIG. 2 is a front elevation view thereof;
 FIG. 3 is a top plan view thereof;
 FIG. 4 is a rear elevation view thereof;
 FIG. 5 is a top front perspective view thereof; and
 FIG. 6 is a top rear perspective view thereof.



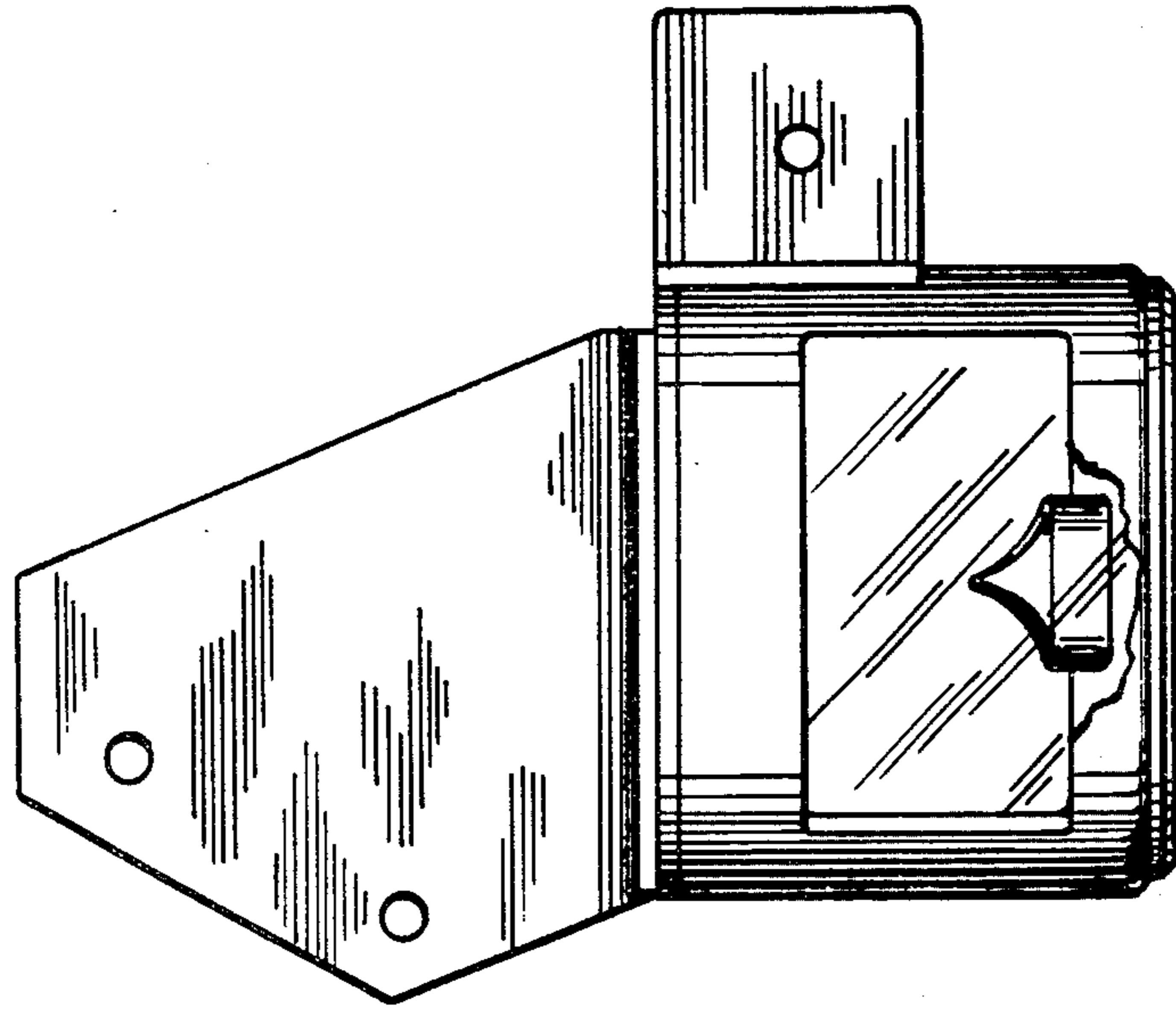


FIG. 1

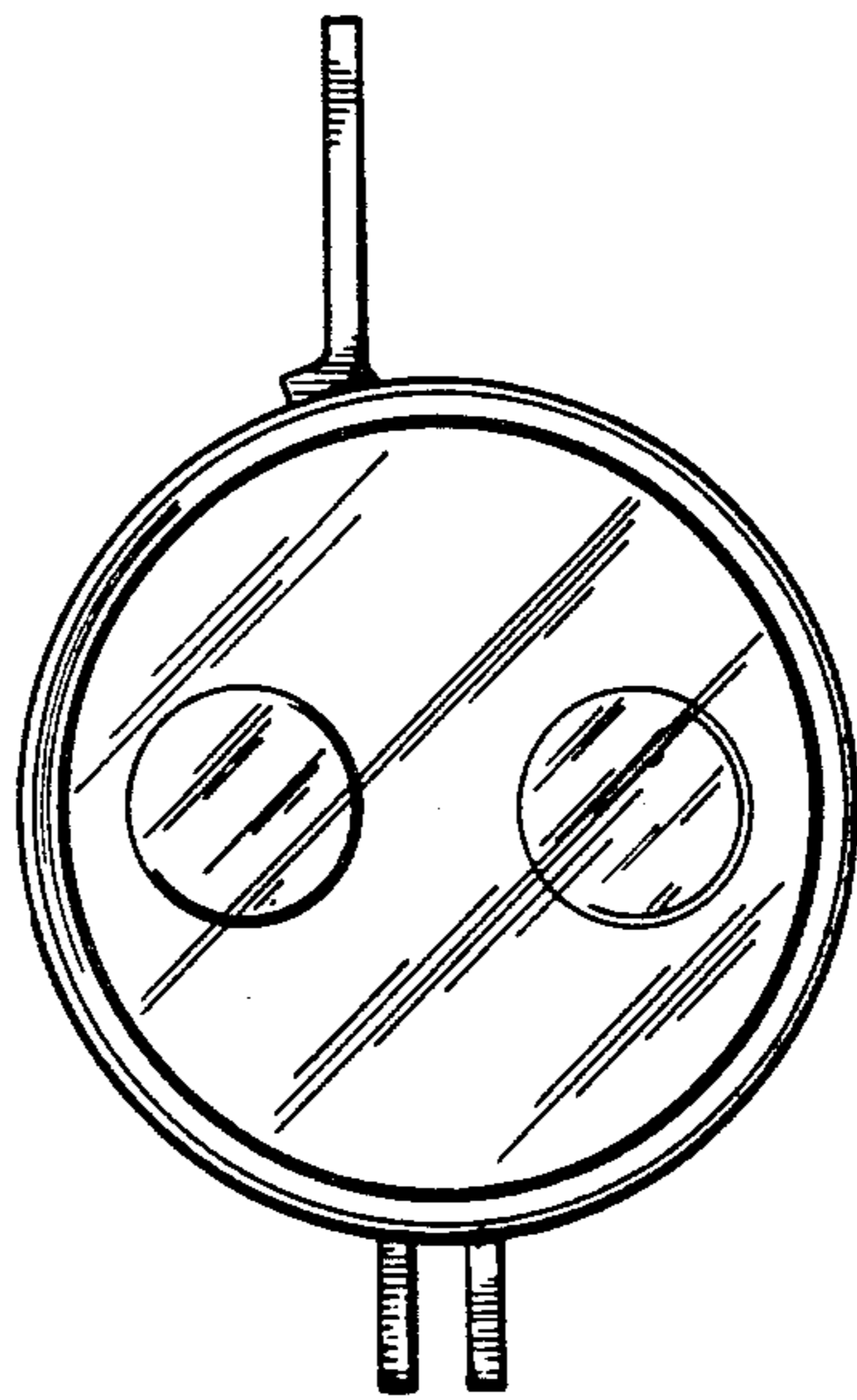


FIG. 2

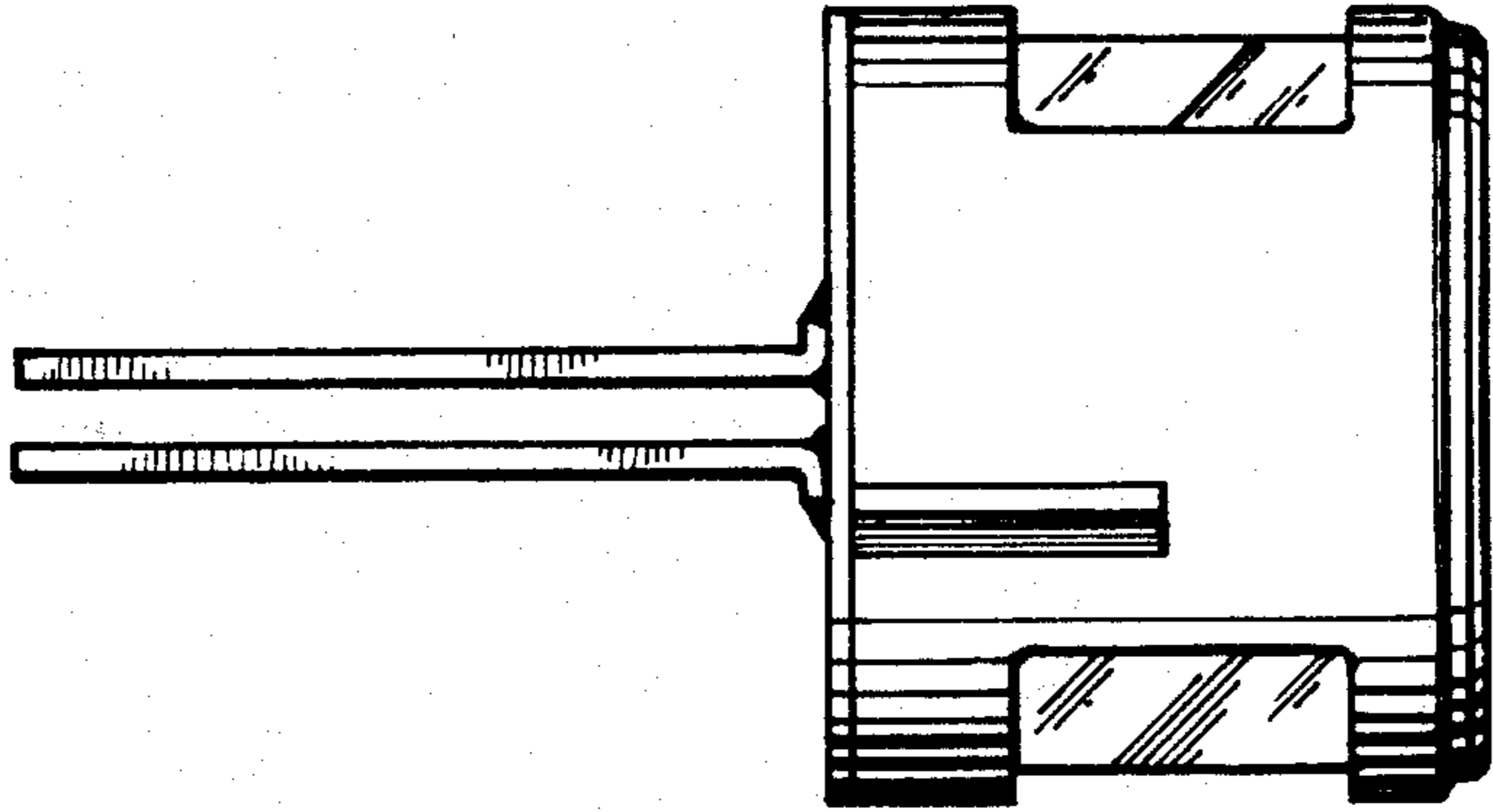


FIG. 3

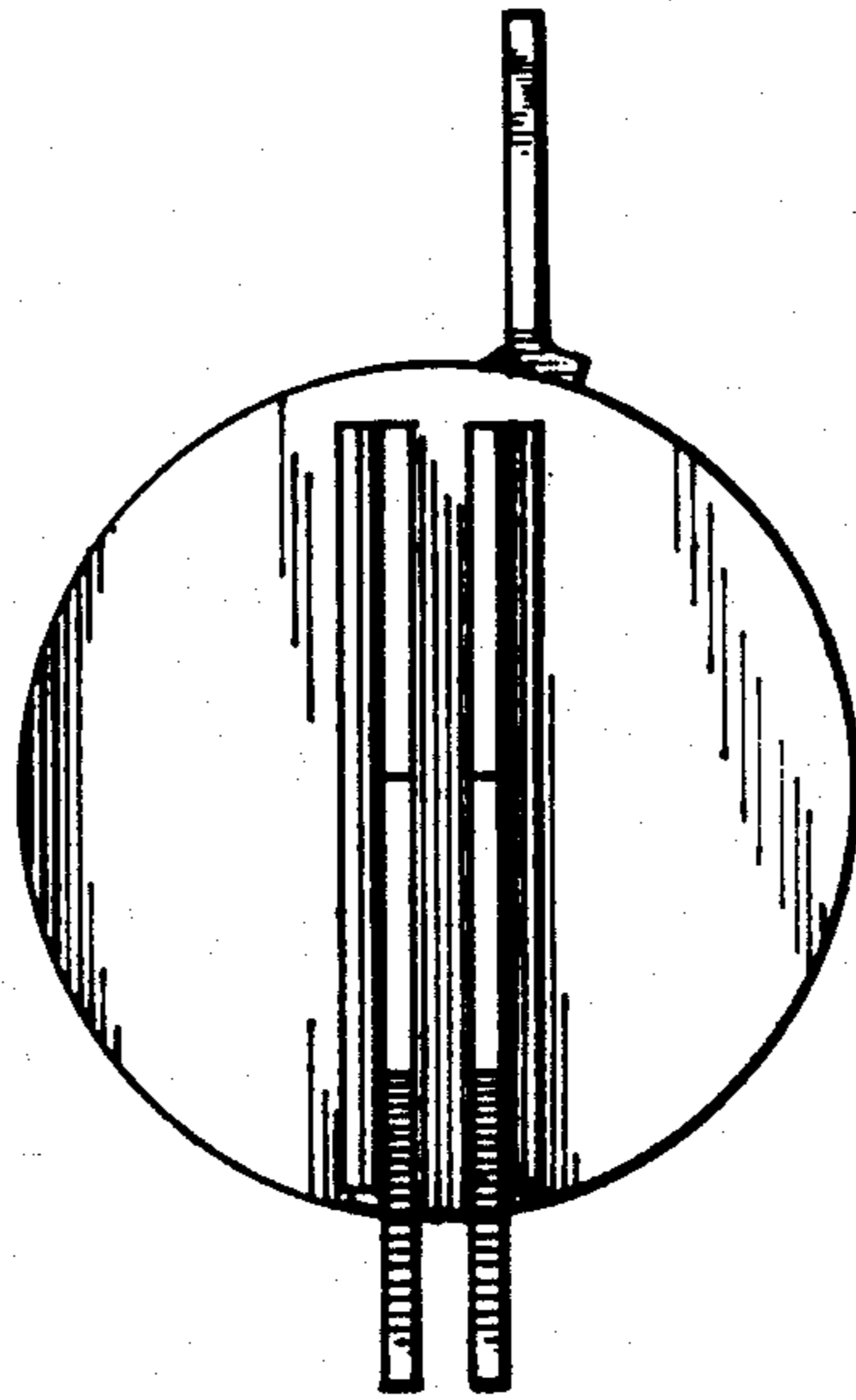


FIG. 4

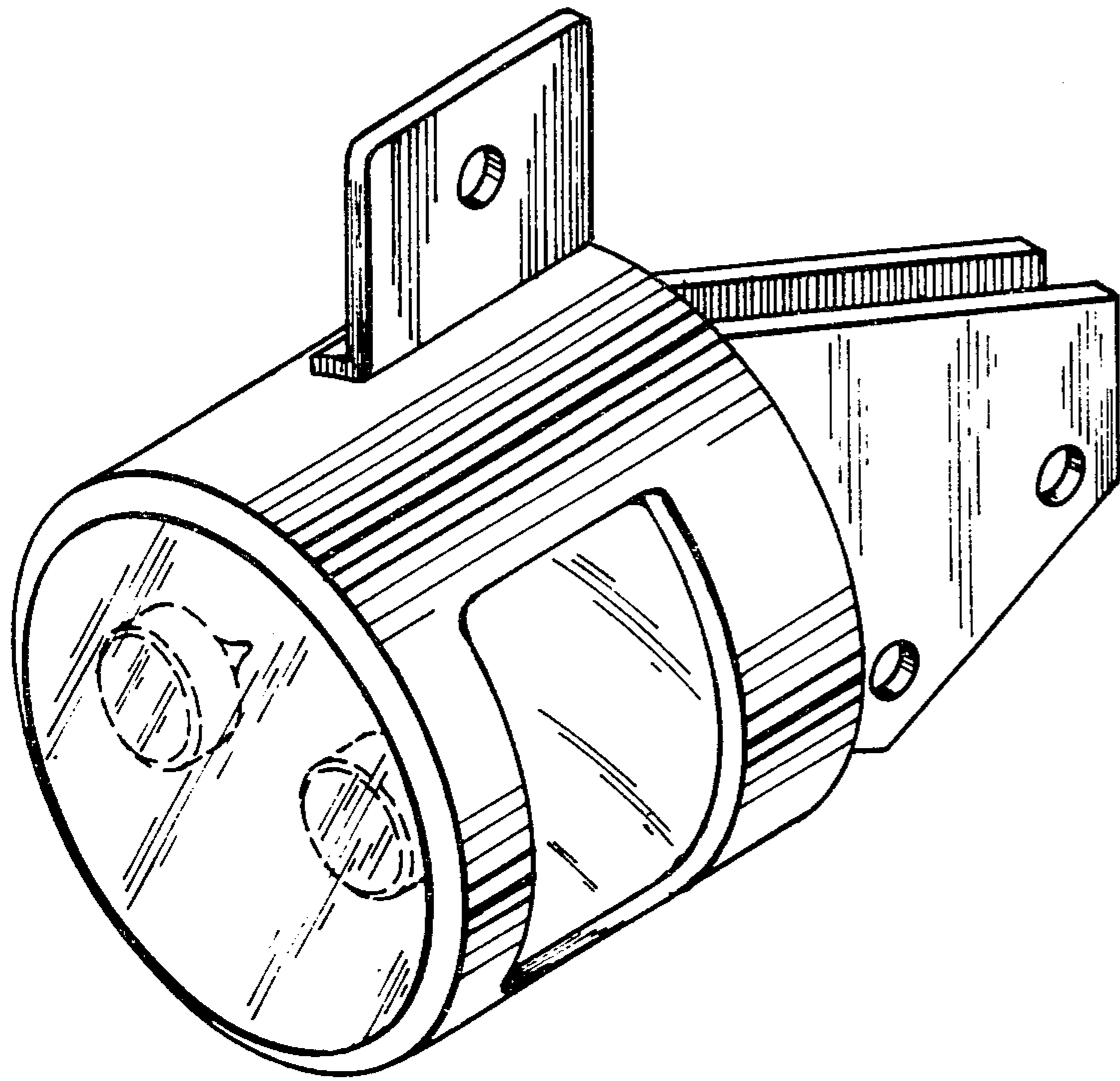


FIG. 5

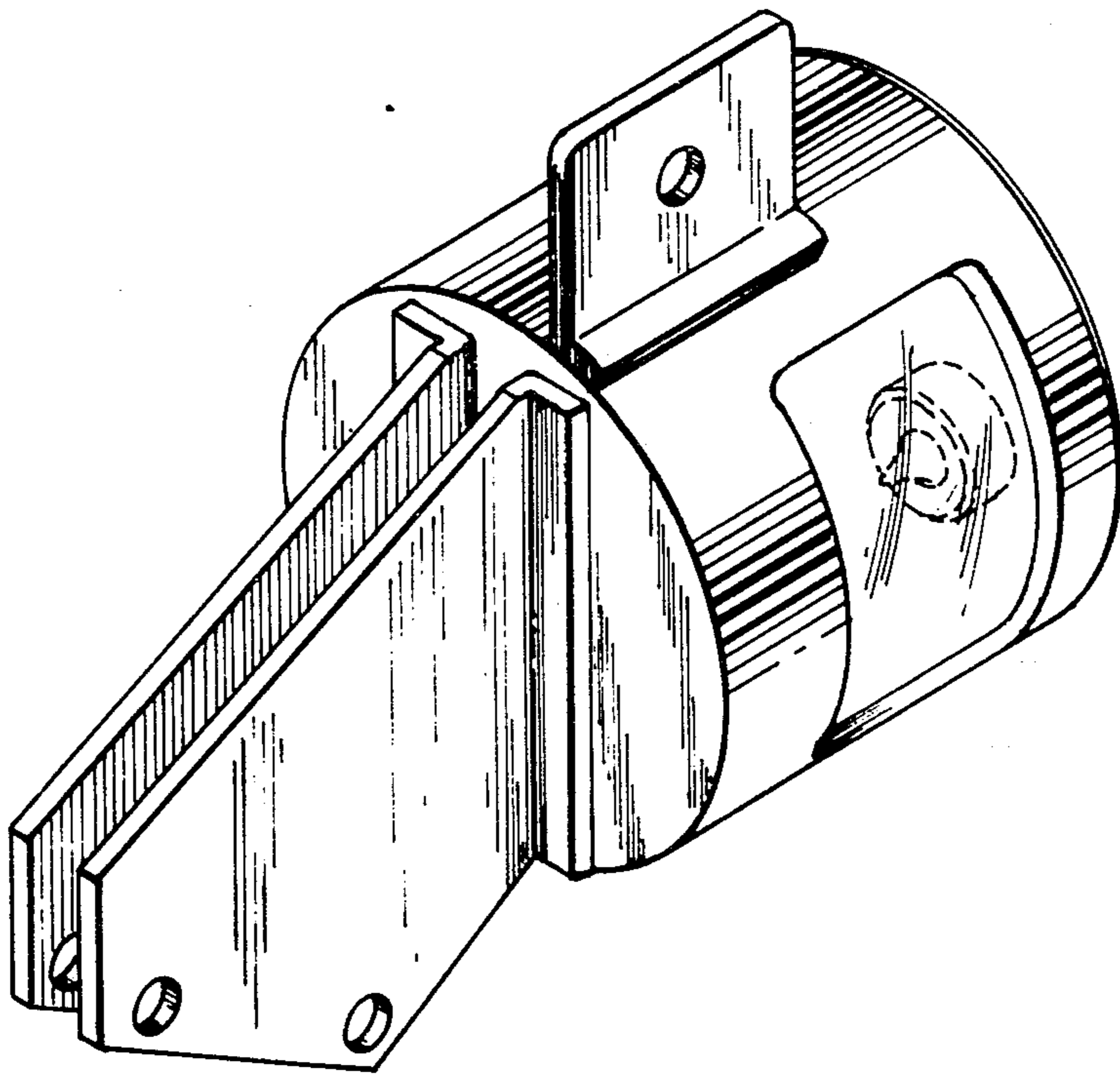


FIG. 6