

[54] **INHALER**

[75] **Inventors: Robert E. Newell, Pinner; Robert A. Fitzsimmons, Barnard Castle, both of England**

[73] **Assignee: Glaxo Group Limited, London, England**

[**] **Term: 14 Years**

[21] **Appl. No.: 564,932**

[22] **Filed: Dec. 23, 1983**

[30] **Foreign Application Priority Data**

Jun. 29, 1983 [GB]	United Kingdom	1013826
[52] U.S. Cl.		D24/62
[58] Field of Search		D24/62; D29/7; 128/203.15

[56] **References Cited**

U.S. PATENT DOCUMENTS

D. 244,057	4/1977	Aul et al.	D24/62
3,667,475	6/1972	Venturelli et al.	128/207.14
3,870,046	3/1975	Elliott	128/203.15

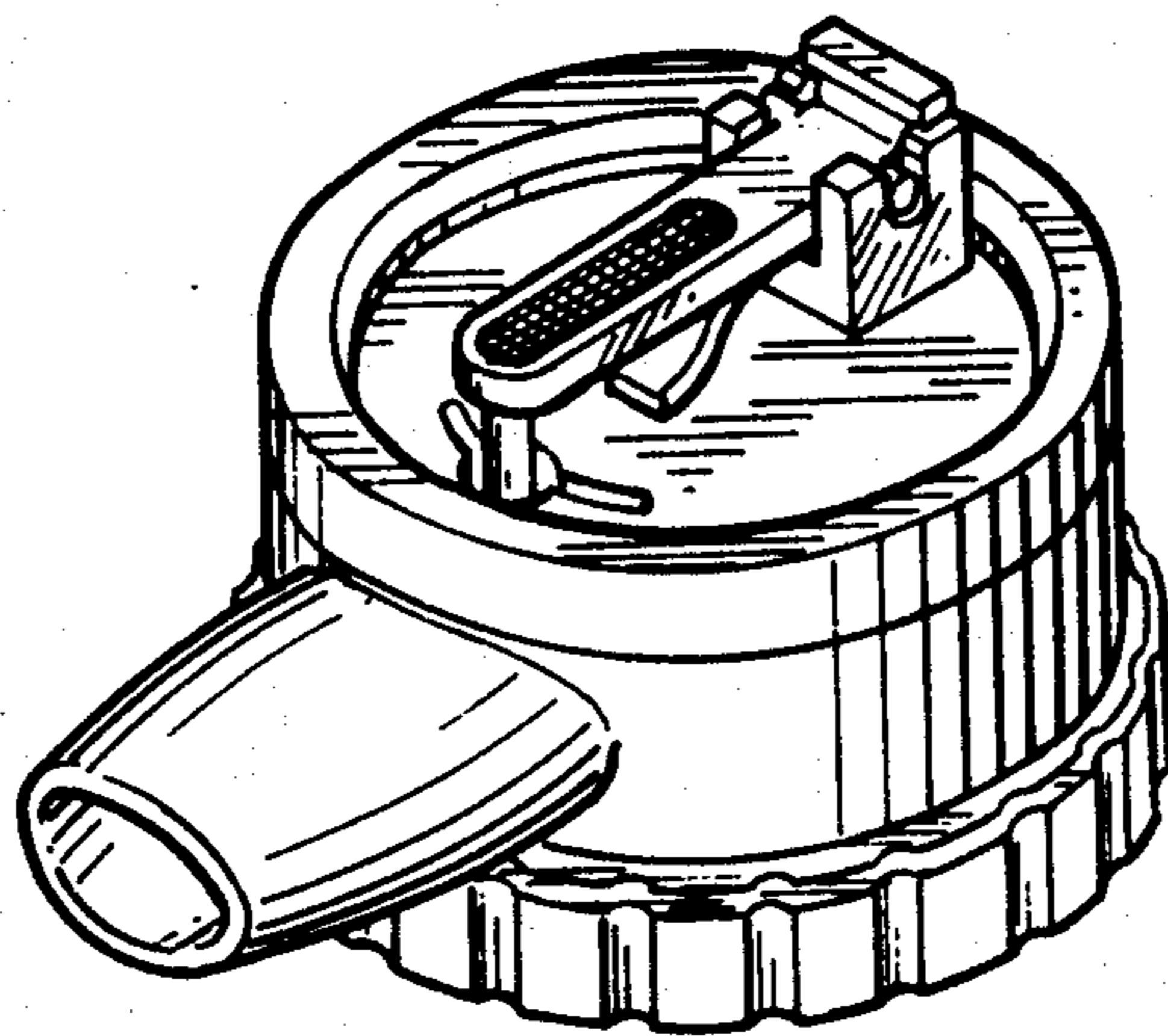
Primary Examiner—A. Hugo Word
Assistant Examiner—Stella Reid
Attorney, Agent, or Firm—McAulay, Fields, Fisher, Goldstein & Nissen

[57] **CLAIM**

The ornamental design for an inhaler, as shown and described.

DESCRIPTION

FIG. 1 is a perspective view of an inhaler showing our new design;
FIG. 2 is an elevational view of one side thereof;
FIG. 3 is a rear elevational view thereof;
FIG. 4 is a top plan view thereof;
FIG. 5 is a bottom plan view thereof.



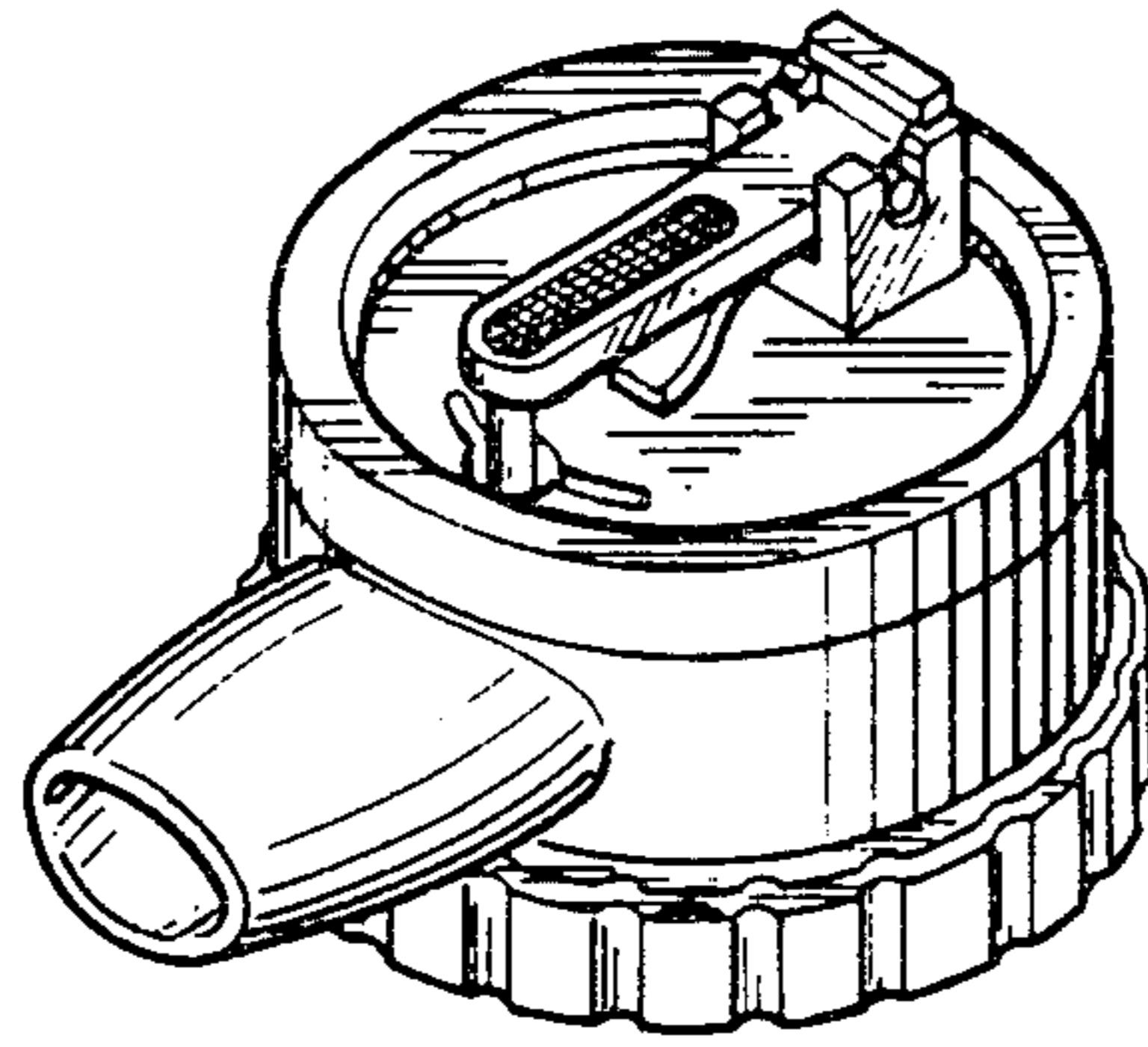


Fig.1

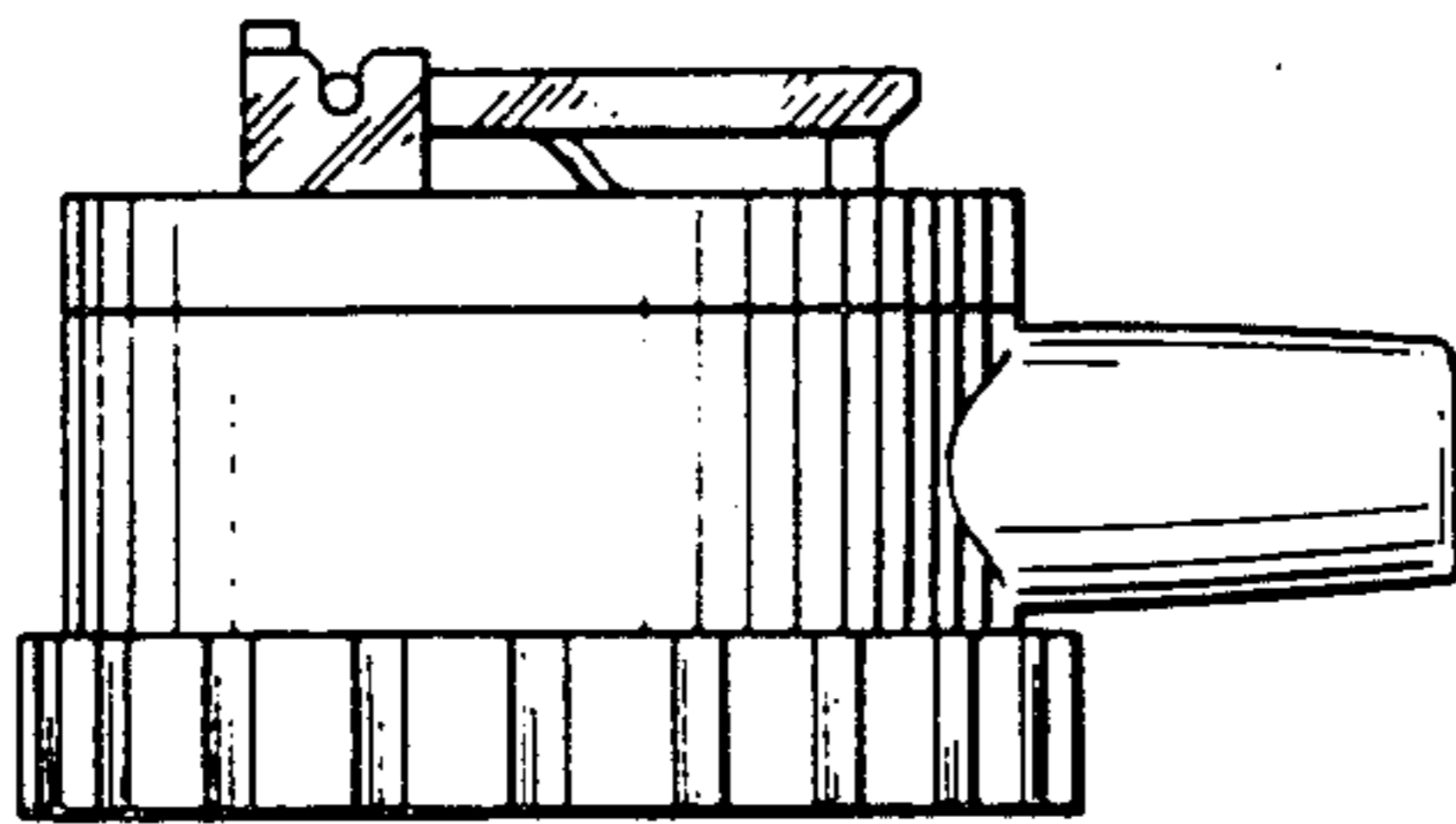


Fig.2

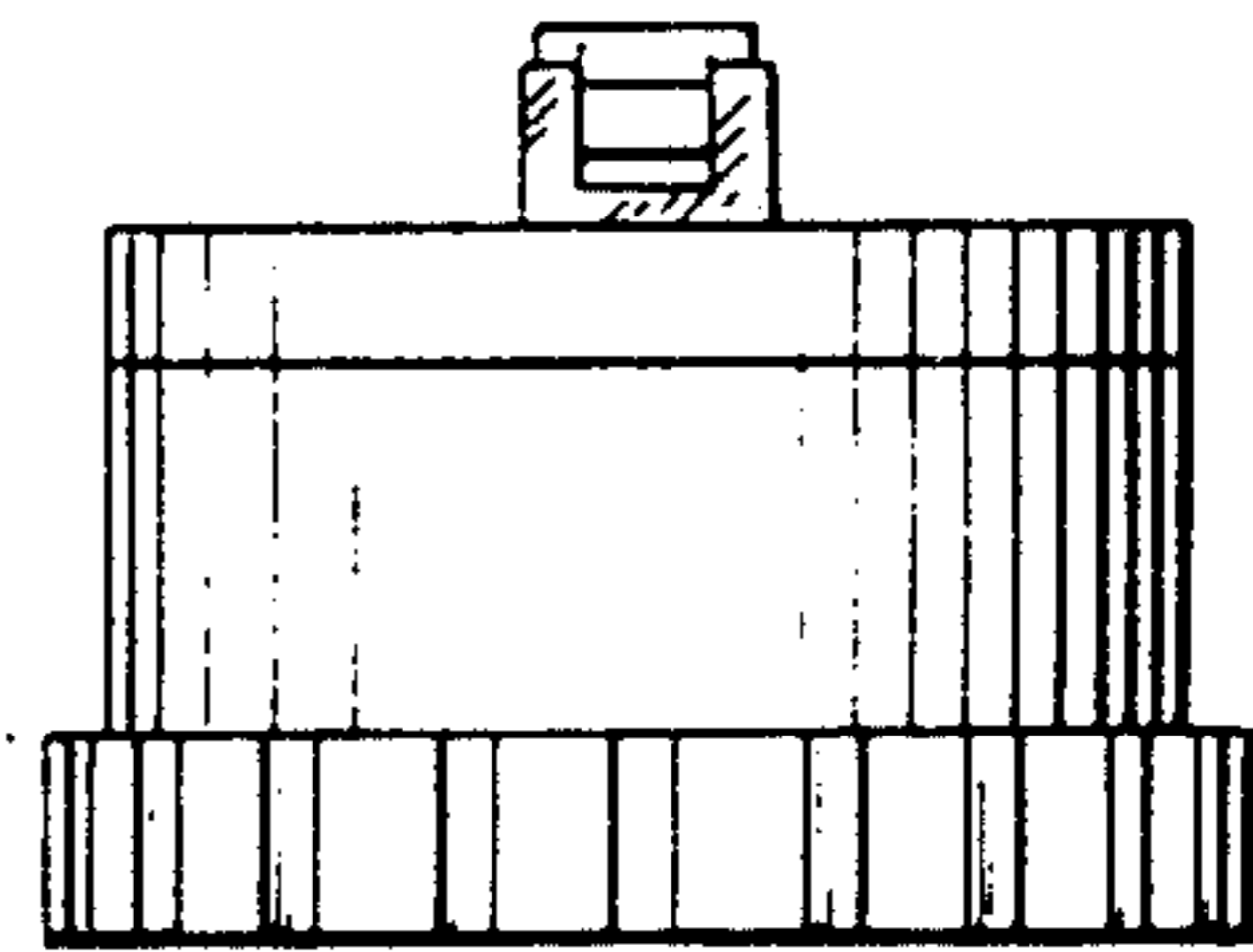


Fig.3

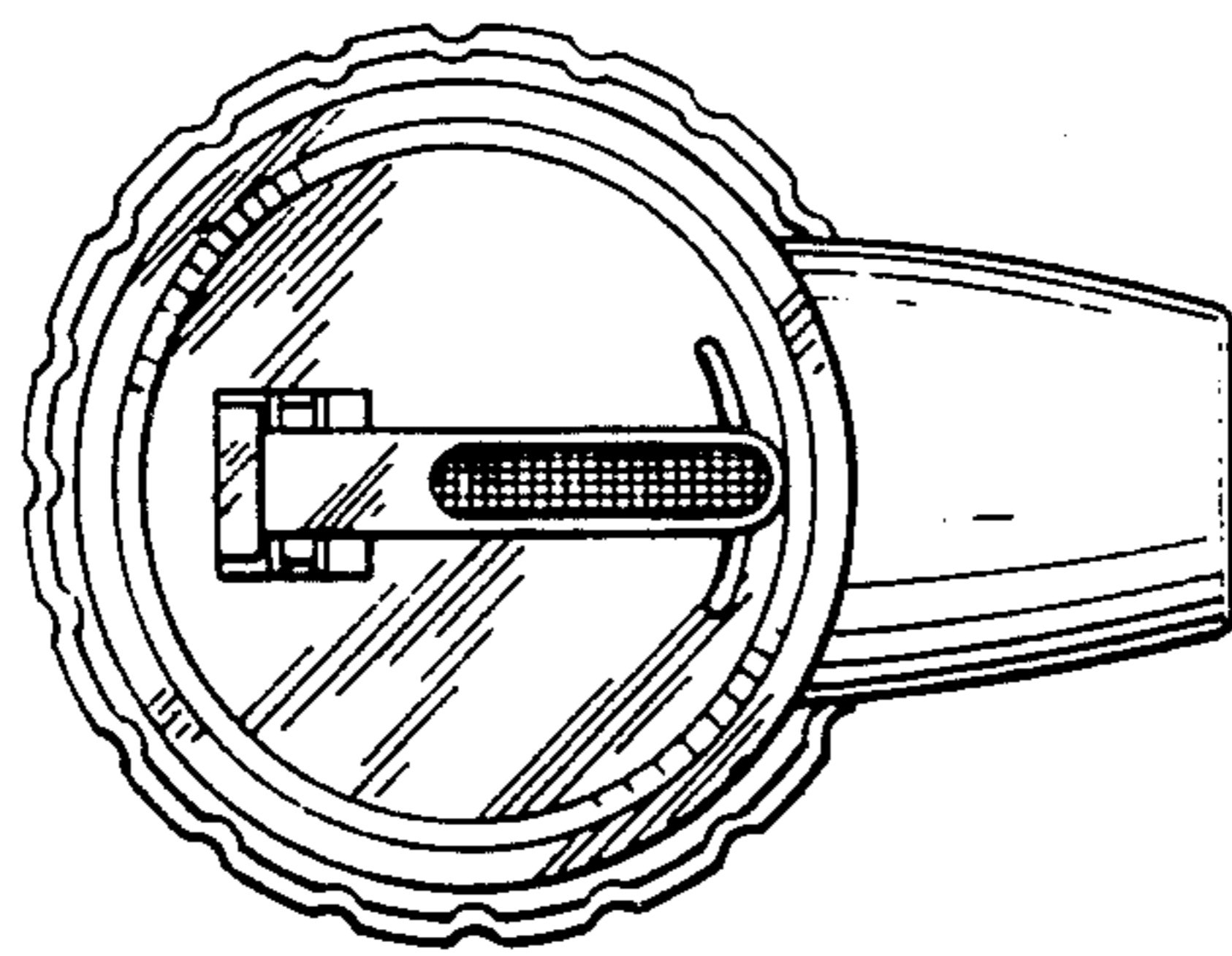


Fig.4

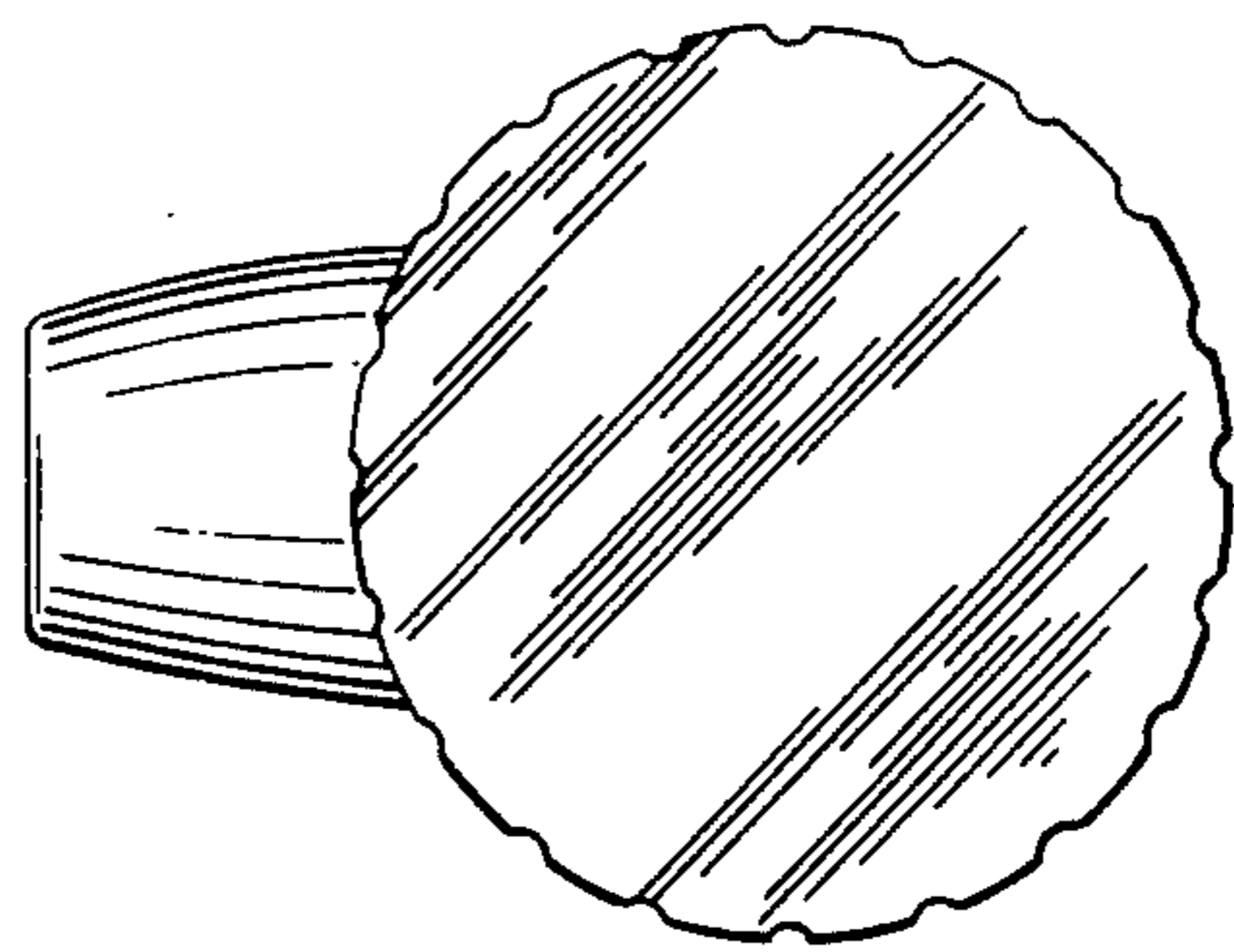


Fig.5