

[54] **SPECULUM**

[76] **Inventor:** Gregory C. Holt, P.O. Box 1611,
Hamilton, Mont. 59840

[**] **Term:** 14 Years

[21] **Appl. No.:** 365,406

[22] **Filed:** Apr. 5, 1982

[52] **U.S. Cl.** D24/18

[58] **Field of Search** D24/18, 29; 128/6, 7,
128/8, 9, 10, 3, 4, 5

[56] **References Cited**

U.S. PATENT DOCUMENTS

3,417,746 12/1968 Moore et al. 128/6
3,496,931 2/1970 Pilling 128/6

FOREIGN PATENT DOCUMENTS

361581 11/1931 United Kingdom 128/3

OTHER PUBLICATIONS

Chas. Truax, Green & Co. Cat., 6th ed., Published 1893,
p. 1230, Fig. 3831, Wilde's Speculums.
American Hospital Supply Corp., Feb. 1, 1955, Cat. No.
100, p. 314, Item F.

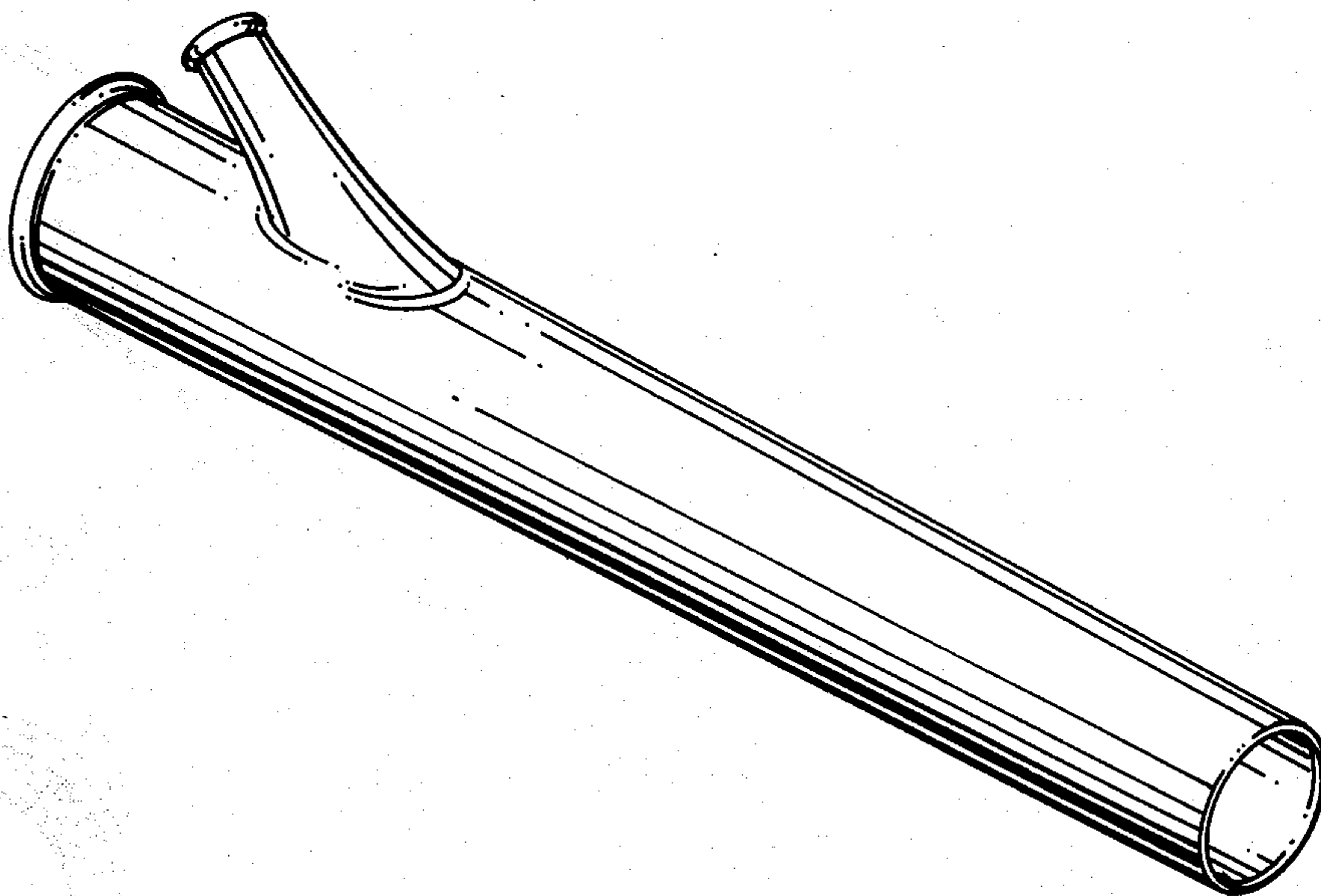
Primary Examiner—A. Hugo Word
Attorney, Agent, or Firm—Herbert E. Haynes, Jr.

[57] **CLAIM**

The ornamental design for a speculum, as shown and
described.

DESCRIPTION

FIG. 1 is a perspective view looking toward one end
and one side of a speculum, showing my new design.
FIG. 2 is an elevational view thereof looking from the
right side in FIG. 1.
FIG. 3 is an elevational view thereof looking from the
left side in FIG. 1.
FIG. 4 is a perspective view looking toward the end
and side thereof opposite those shown in FIG. 1.



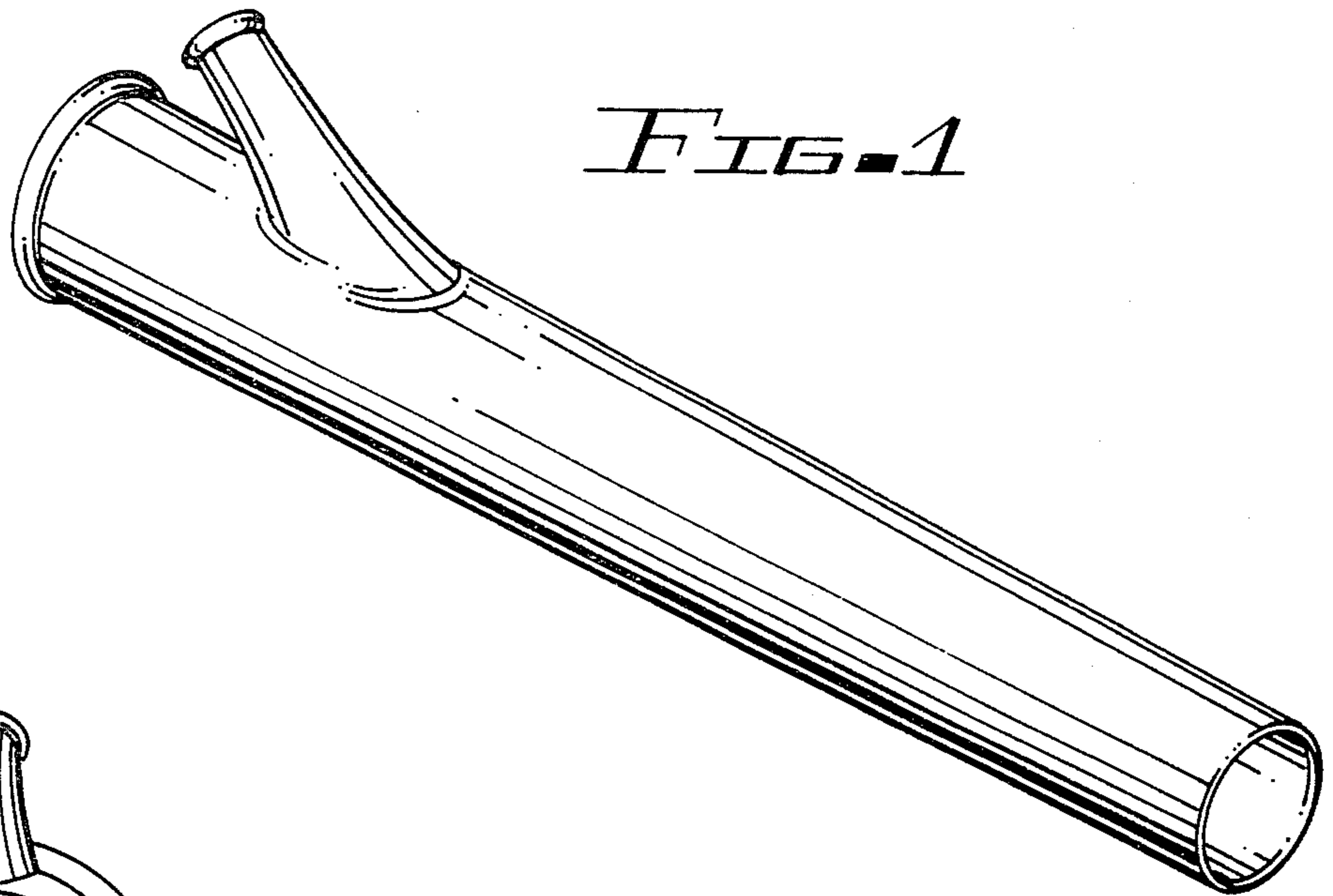


FIG. 1

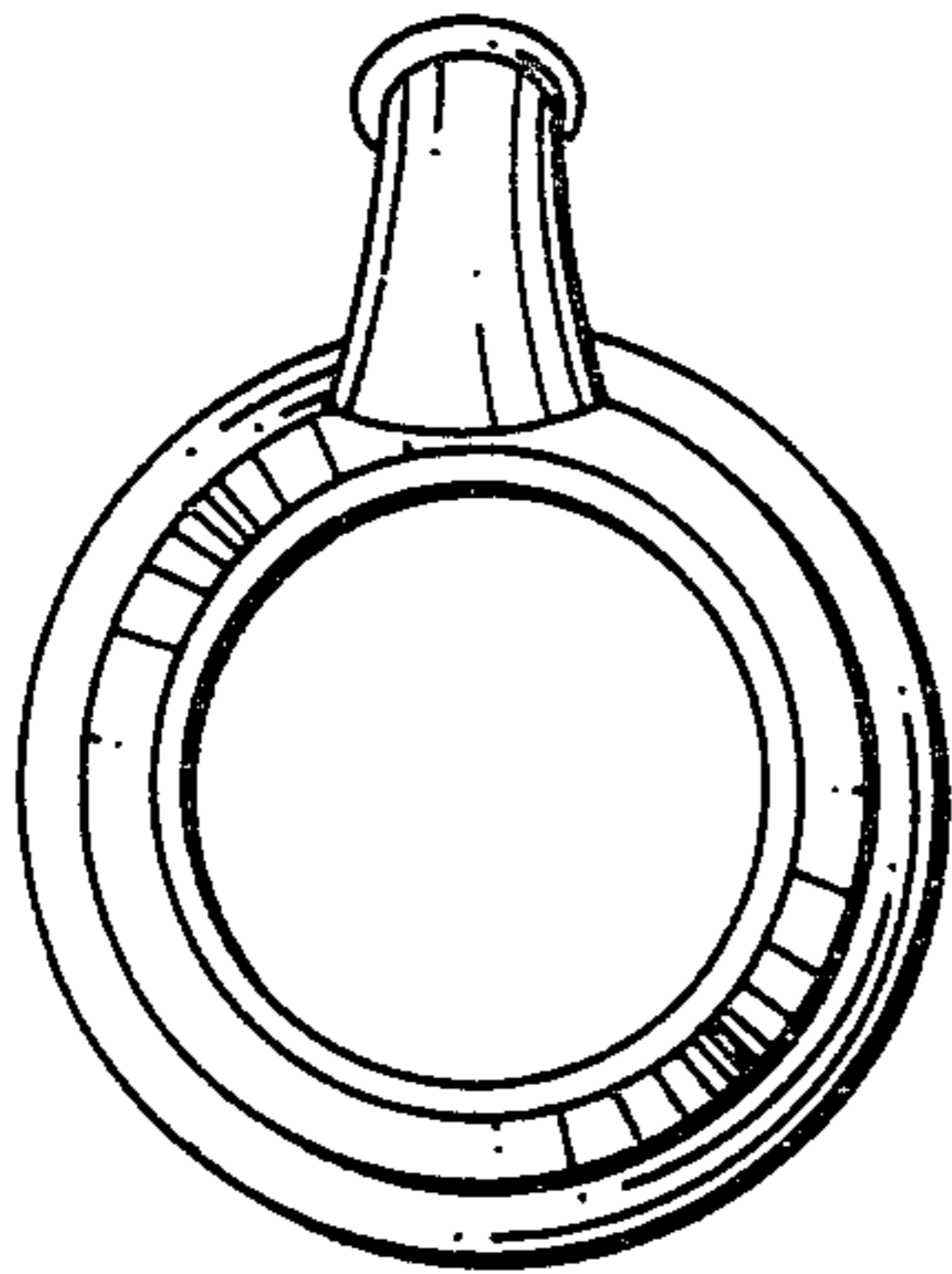


FIG. 2

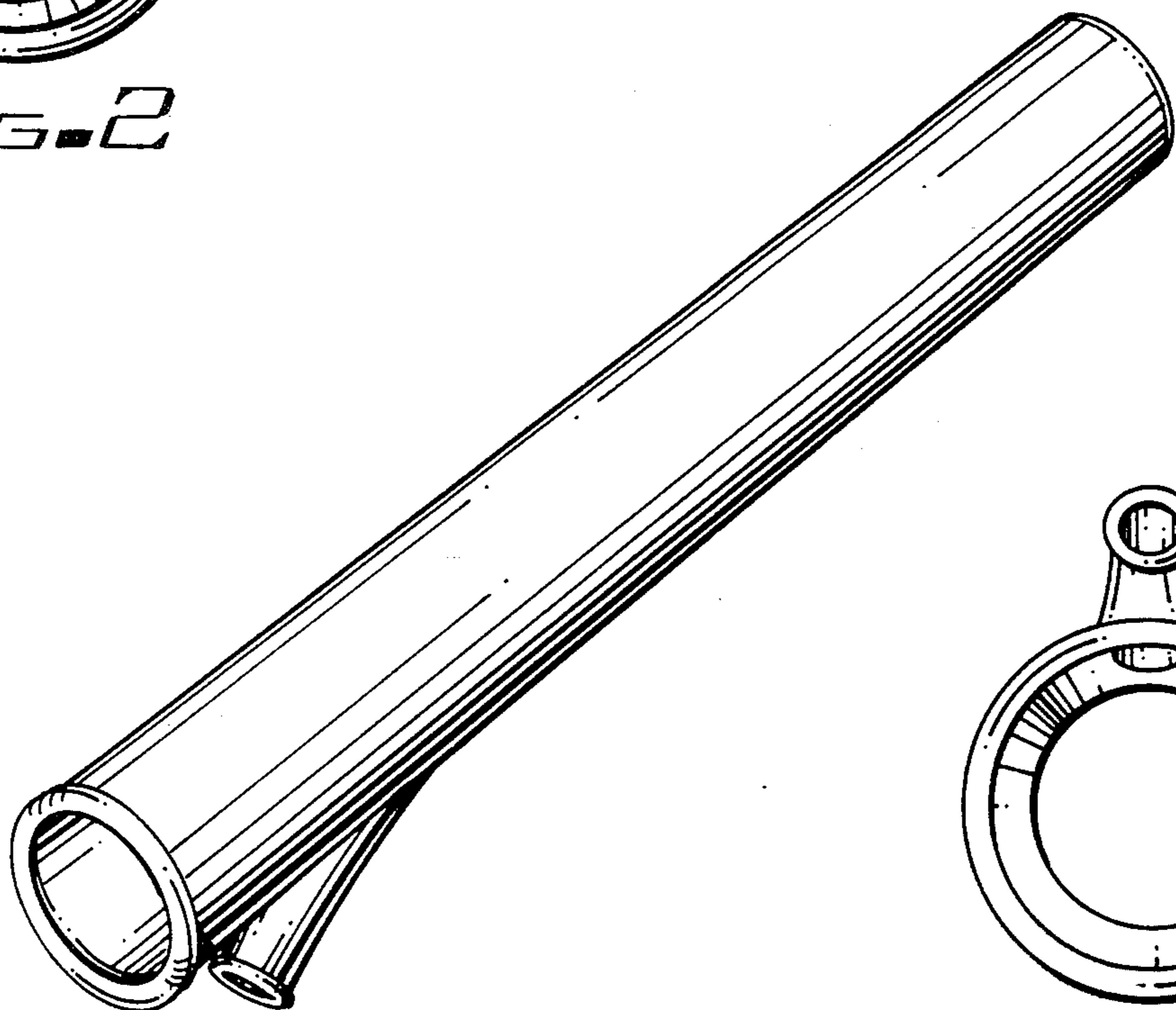


FIG. 4

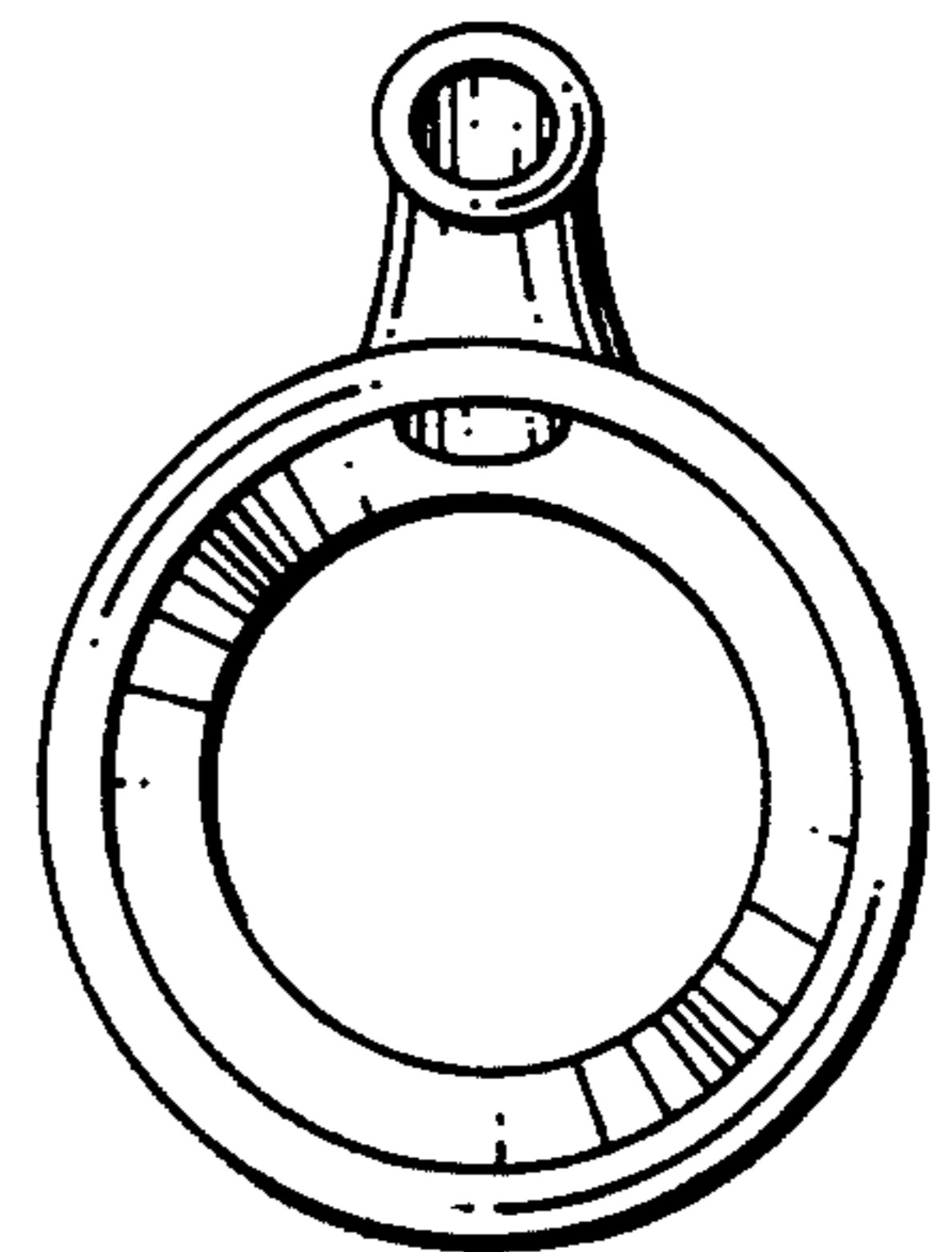


FIG. 3