

[54] PORTABLE HEATER DEVICE

[76] Inventor: Russell R. Ellersick, 7925 Twin Oaks Dr., Citrus Heights, Calif. 95610

[**] Term: 14 Years

[21] Appl. No.: 485,862

[22] Filed: Apr. 18, 1983

[52] U.S. Cl. D23/77; D24/68

[58] Field of Search D23/72, 77, 79; D26/42, D26/78; 219/228, 346, 354; D24/68

[56] References Cited

U.S. PATENT DOCUMENTS

D. 240,082	5/1976	Garwood	D23/77	X
1,492,595	5/1924	Edmands	219/537	X
1,603,670	10/1926	Edmands	219/346	
2,221,318	11/1940	Worthing et al.	219/228	X
2,620,430	12/1952	Trowbridge	219/228	X
3,353,005	11/1967	Sisson et al.	219/85	BA
3,515,853	6/1970	McAdams	219/347	X
3,654,429	4/1972	Strachan	219/346	
3,689,737	9/1972	Eckles et al.	219/346	
3,731,051	5/1973	Ellersick	219/162	
4,159,411	6/1979	Ellersick	219/346	

4,349,724 9/1982 Ellersick 219/347

Primary Examiner—Catherine E. Kemper
Attorney, Agent, or Firm—Mark C. Jacobs

[57] CLAIM

The ornamental design for portable heater device, substantially as shown and described.

DESCRIPTION

FIG. 1 is a perspective view of the first embodiment of the heater device of this design.

FIG. 2 is a bottom plan view thereof.

FIG. 3 is a left side elevational view. The right side is a mirror image of FIG. 3.

FIG. 4 is a front view thereof.

FIG. 5 is a top plan view of this embodiment.

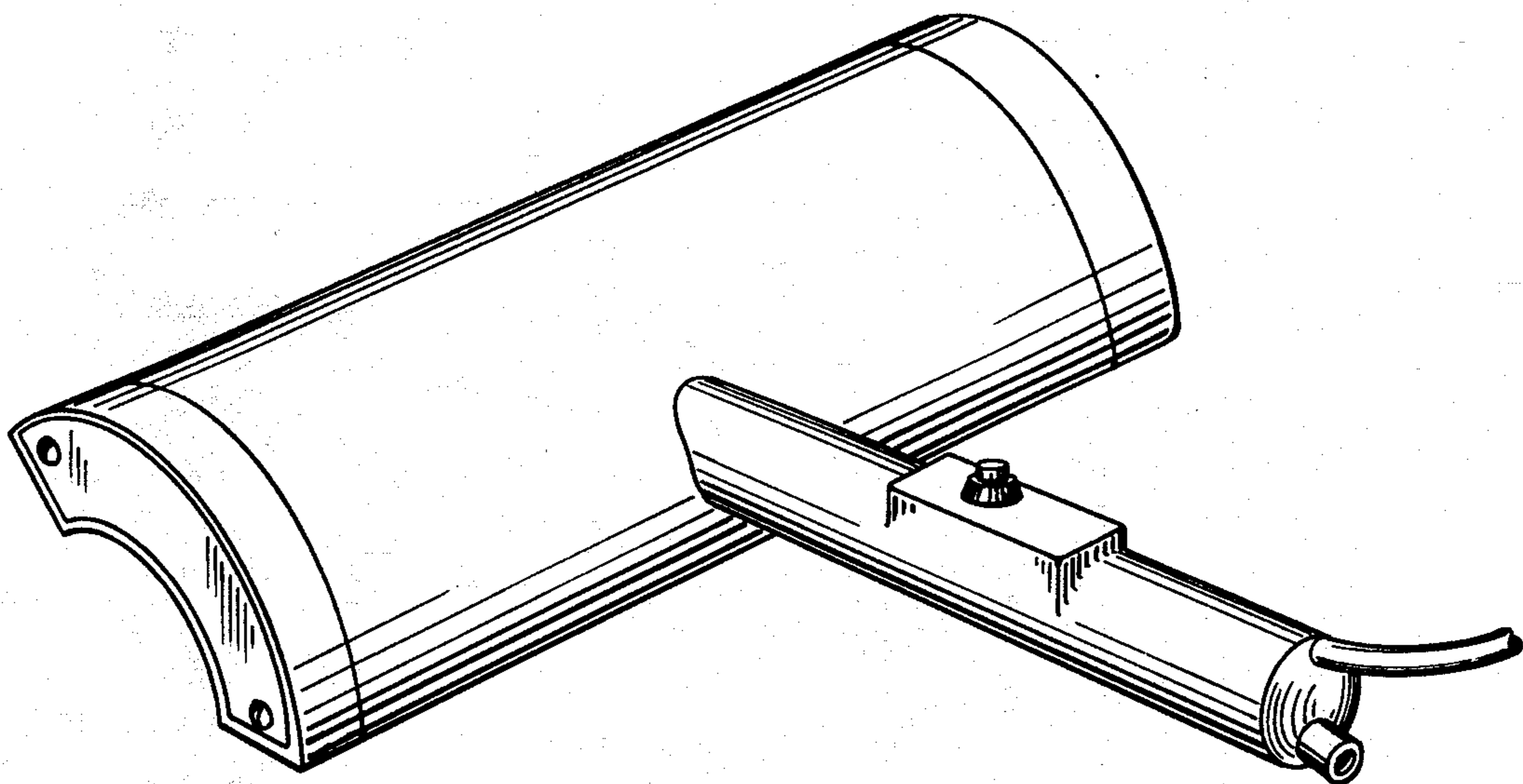
FIG. 6 is a left side elevational view of a second embodiment of this design. The right side is a mirror image.

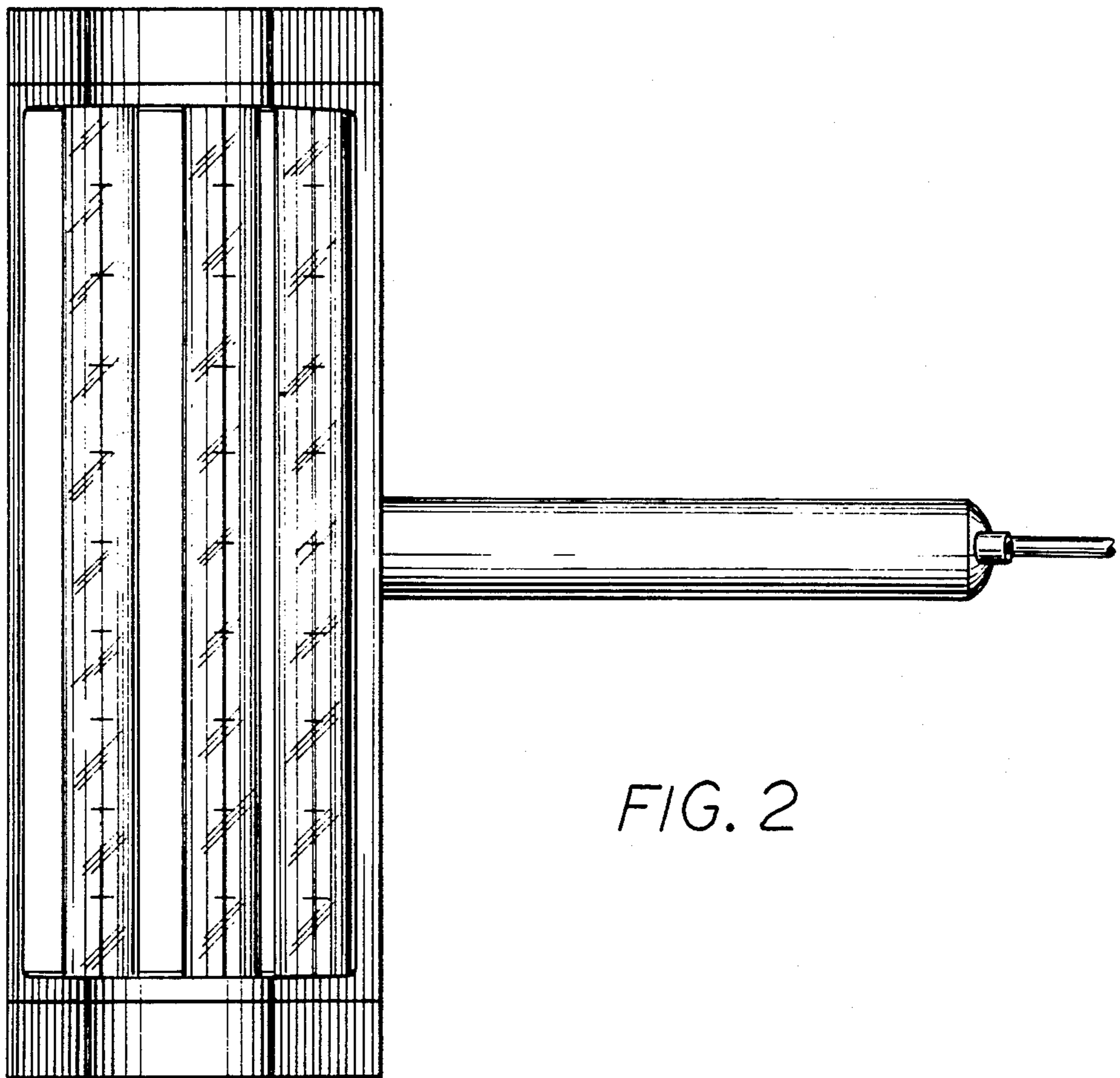
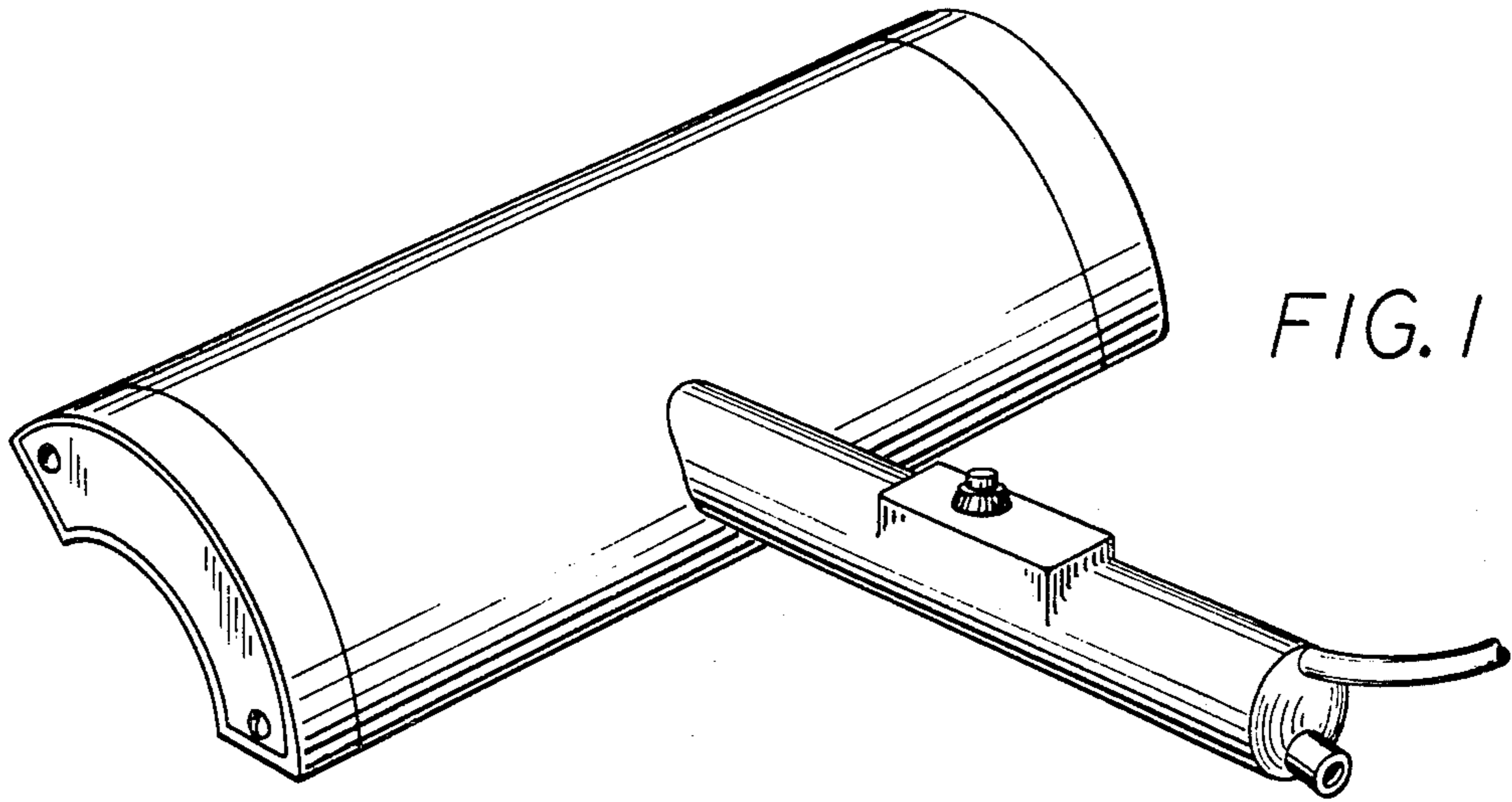
FIG. 7 is a front elevational view thereof.

FIG. 8 is a top plan view of the second embodiment.

FIG. 9 is a rear perspective view of the second embodiment.

FIG. 10 is a bottom plan view of the second embodiment.





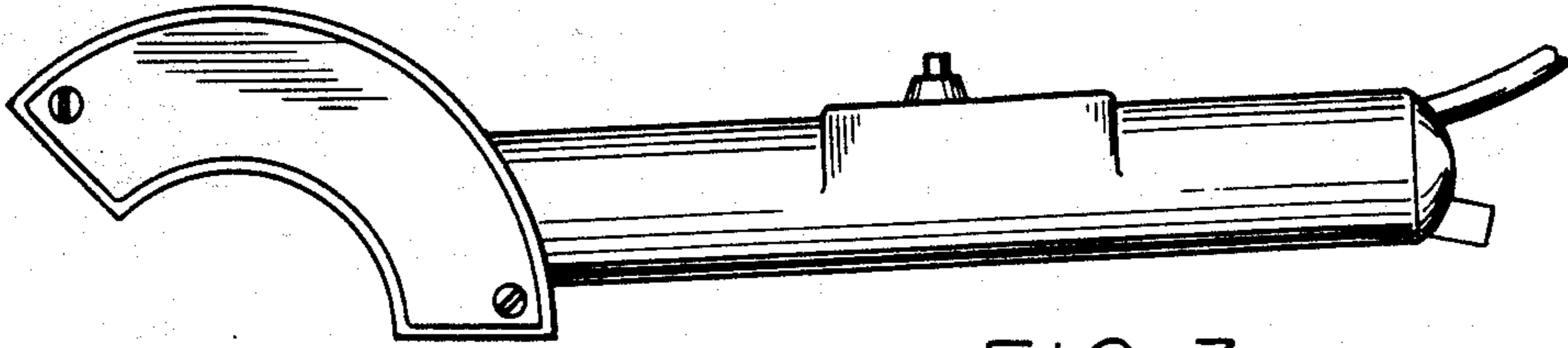


FIG. 3

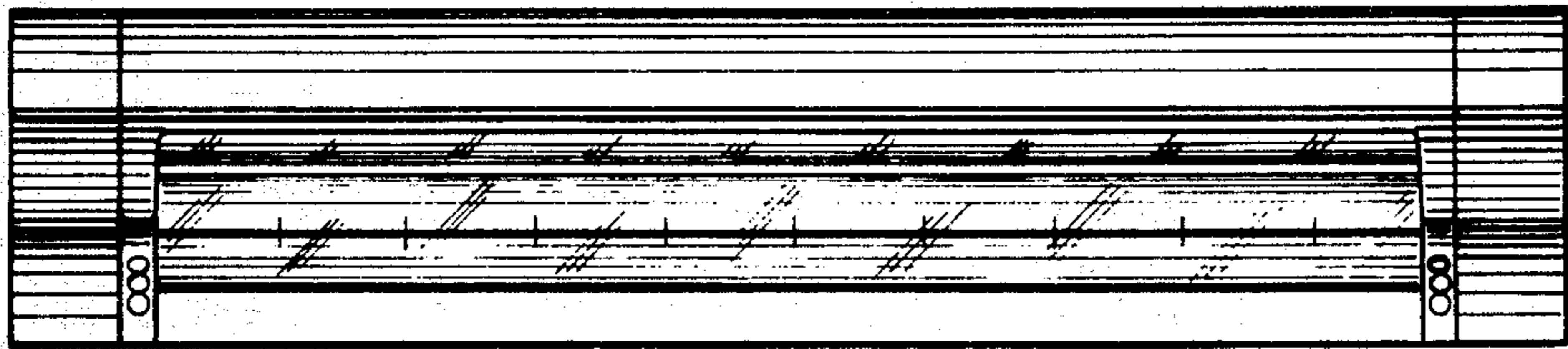


FIG. 4

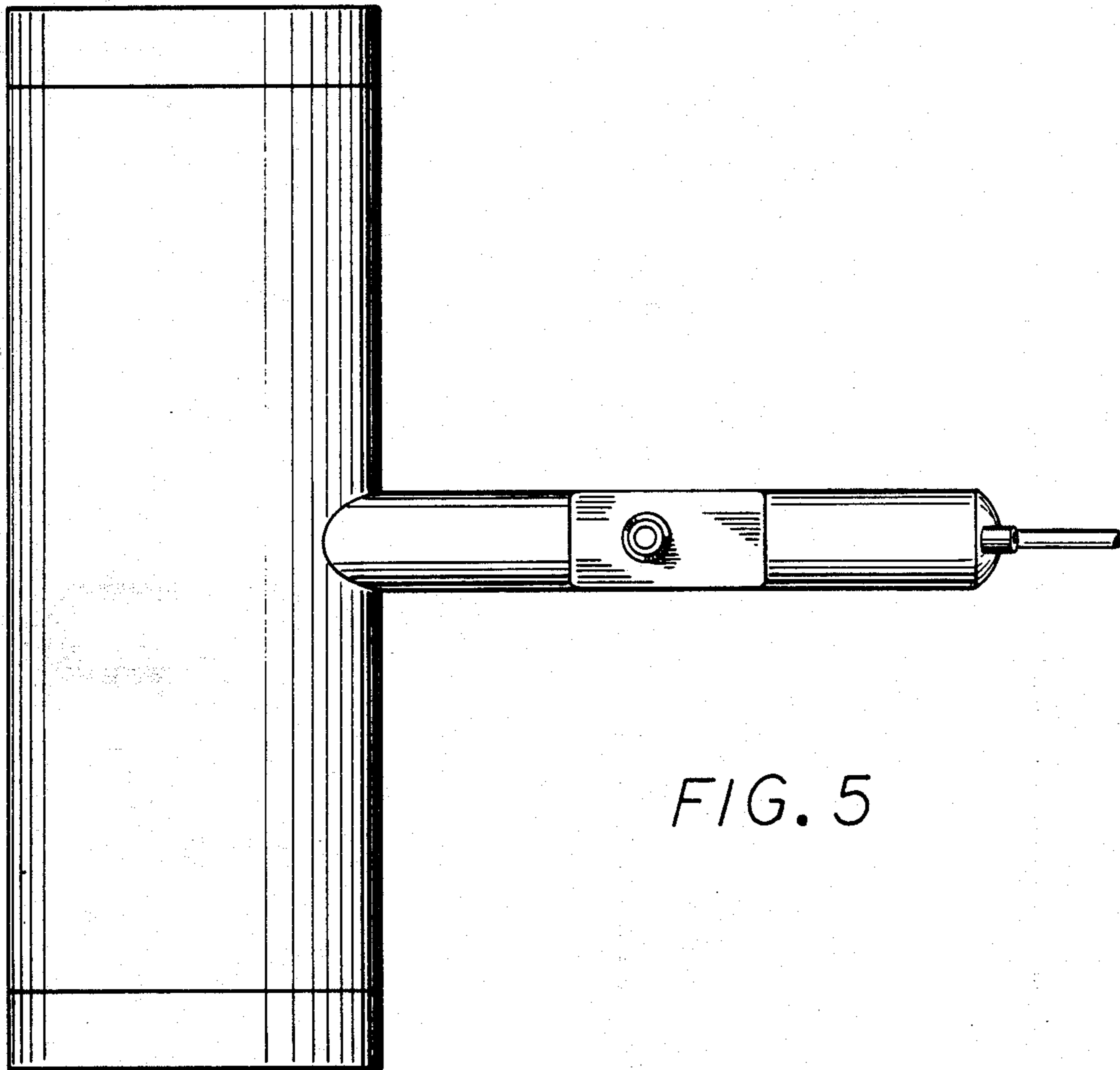


FIG. 5

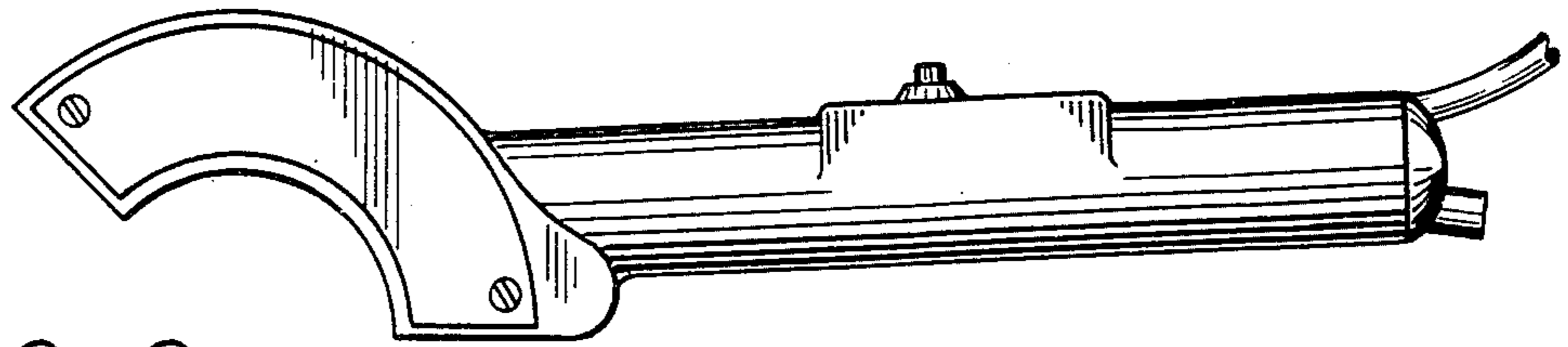


FIG. 6

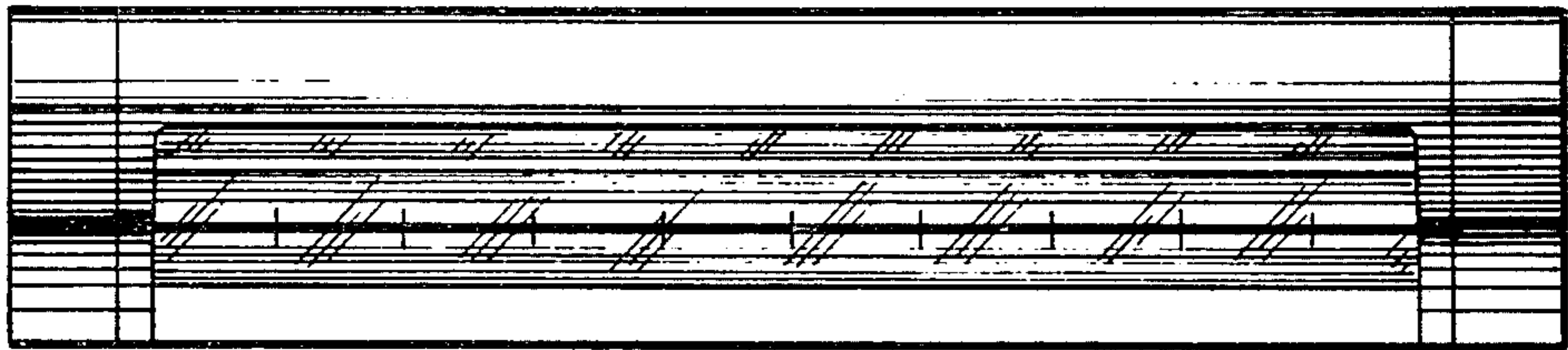


FIG. 7

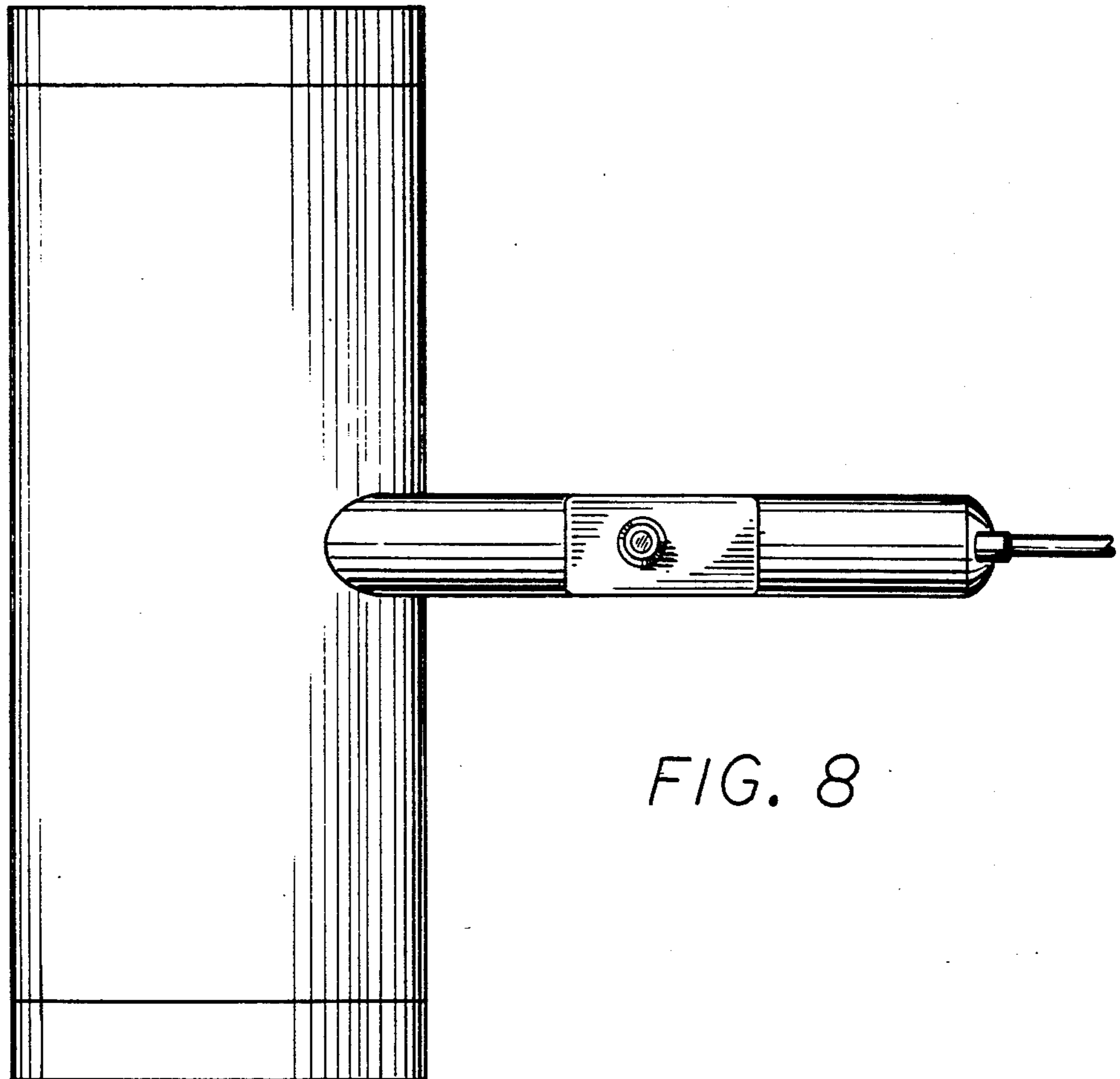


FIG. 8

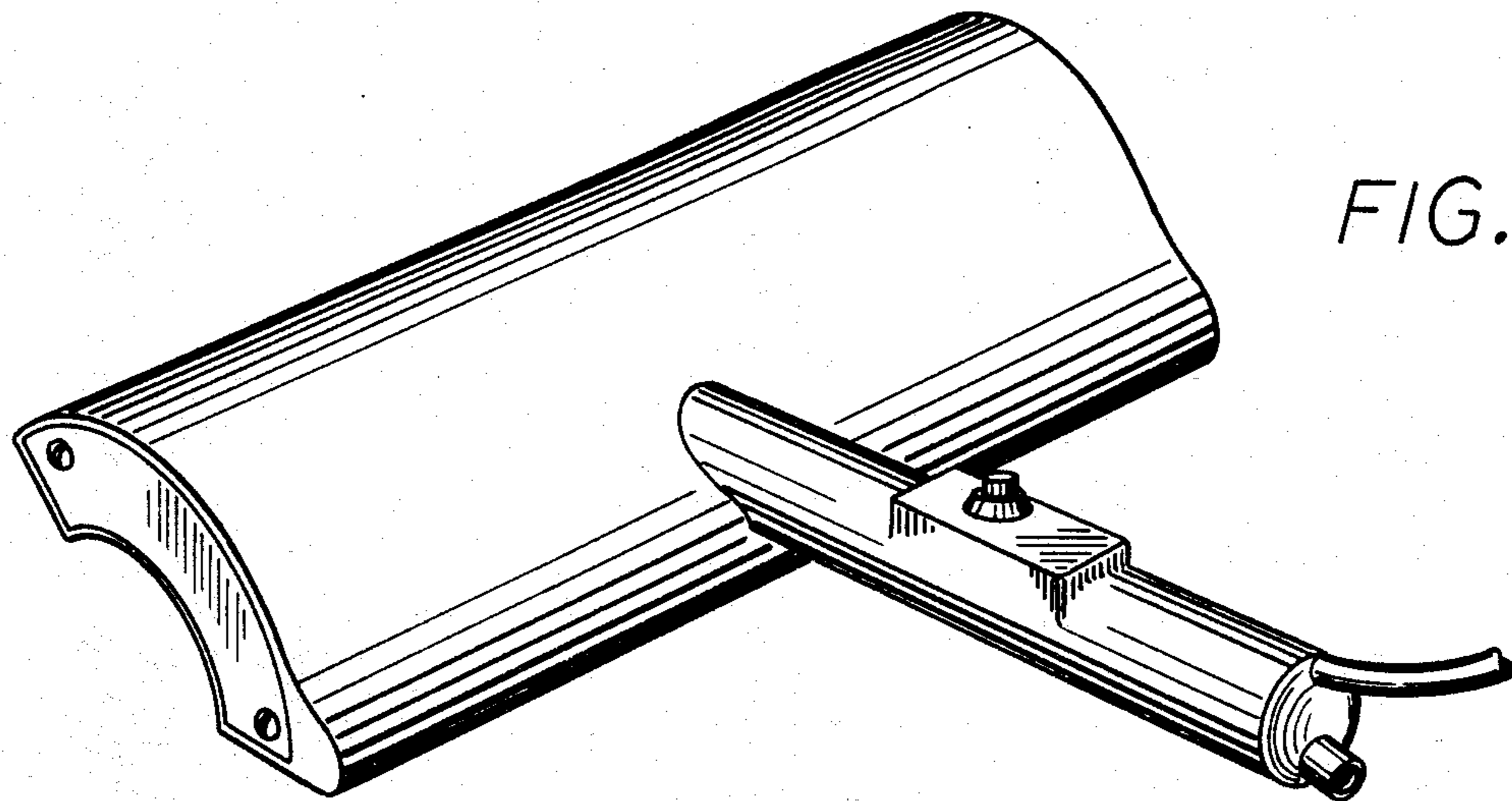


FIG. 9

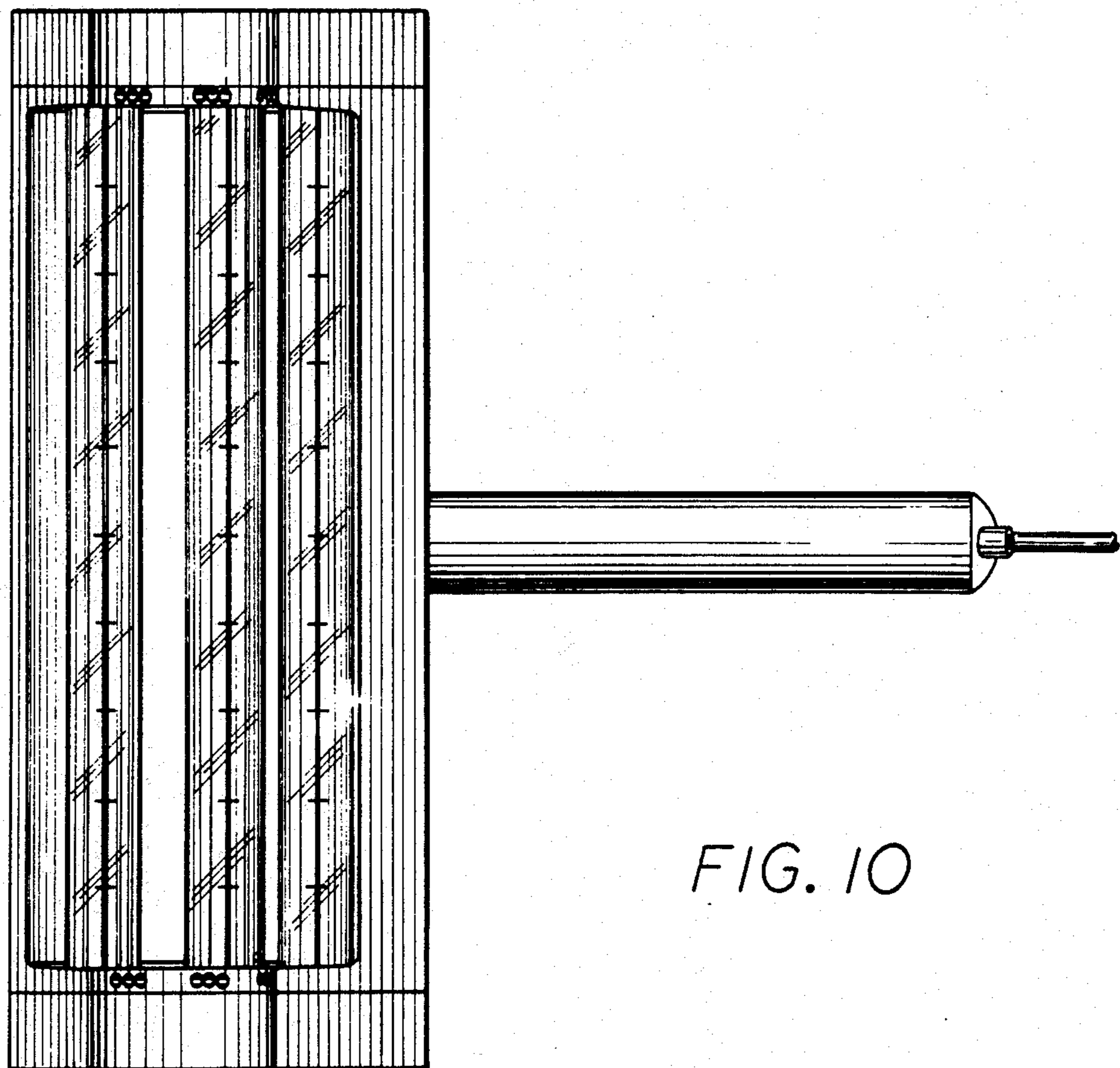


FIG. 10