

[54] WALL SHOWER

[75] Inventor: Andreas Haug, Altensteig, Fed. Rep. of Germany

[73] Assignee: Hans Grohe GmbH & Co., Fed. Rep. of Germany

[\*\*] Term: 14 Years

[21] Appl. No.: 533,807

[22] Filed: Sep. 19, 1983

[52] U.S. Cl. .... D23/57

[58] Field of Search ..... D23/34-37, D23/57; 4/567-608, 615

[56] References Cited

U.S. PATENT DOCUMENTS

D. 36,719	12/1903	Gavin	.....	D23/35
D. 154,209	6/1949	Meirink	.....	D23/57
D. 184,925	4/1959	Friend	.....	D23/57
D. 256,610	8/1980	Belkir	.....	D23/57
D. 266,212	9/1982	Haug	.....	D6/86
D. 274,352	6/1984	Haug	.....	D23/57
D. 274,457	6/1984	Haug	.....	D23/57
1,130,520	3/1915	Kenney	.....	4/567
3,121,235	2/1964	Gellmann	.....	4/148

3,822,826	7/1974	Wilson	.....	239/267
3,837,013	9/1974	Davis et al.	.....	4/145
3,913,839	10/1975	Wilson	.....	239/267
3,971,074	7/1976	Yxfeldt	.....	4/145
3,979,096	9/1976	Zieger	.....	248/75
3,982,284	9/1976	Becker	.....	4/145

OTHER PUBLICATIONS

French Pat. 2,142,462-Rachin, dated 1/73.

Swiss Pat. 499,304-Hunziker, dated 1/71.

House Beautiful, Oct. 1964, p. 216.

Primary Examiner—James R. Largen

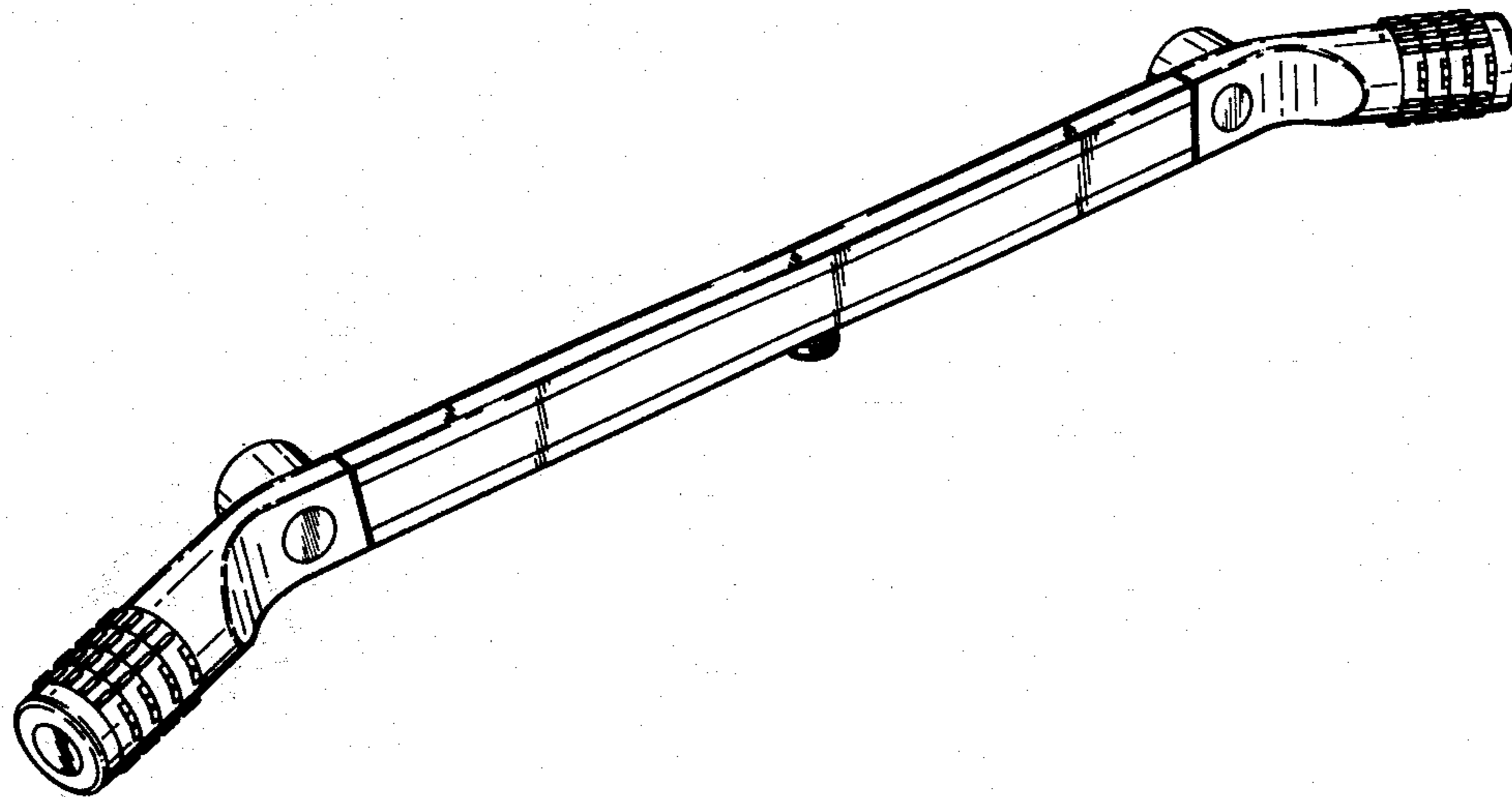
Attorney, Agent, or Firm—Steele, Gould & Fried

[57] CLAIM

The ornamental design for a wall shower, as shown or described.

DESCRIPTION

FIG. 1 is a perspective view taken from the top, front and left side of a wall shower showing my new design; FIG. 2 is a left side elevational view thereof, the right side being a mirror image of the left side shown; FIG. 3 is a top plan view thereof; FIG. 4 is a front elevational view thereof; FIG. 5 is a rear elevational view thereof; and FIG. 6 is a bottom plan view thereof.



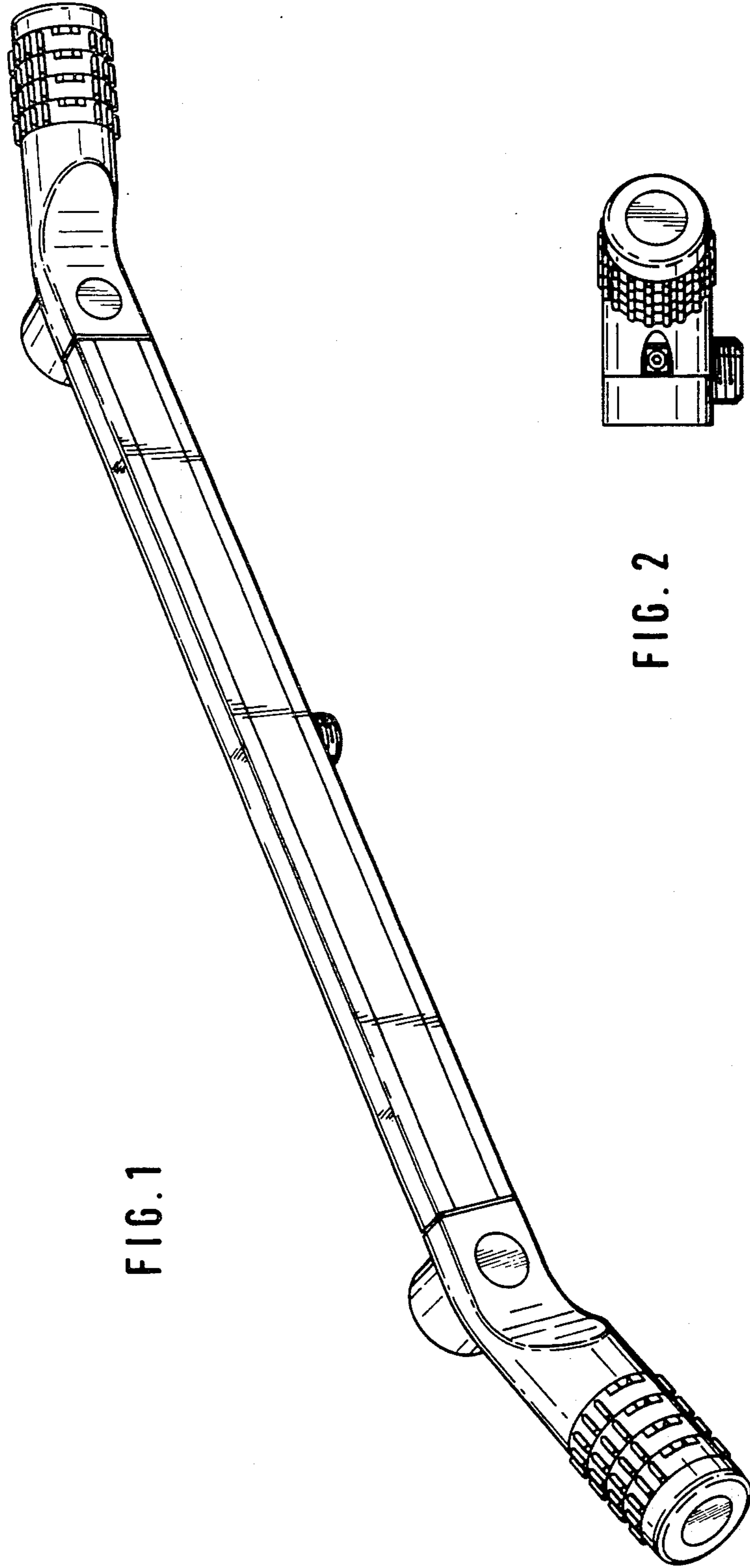


FIG. 1

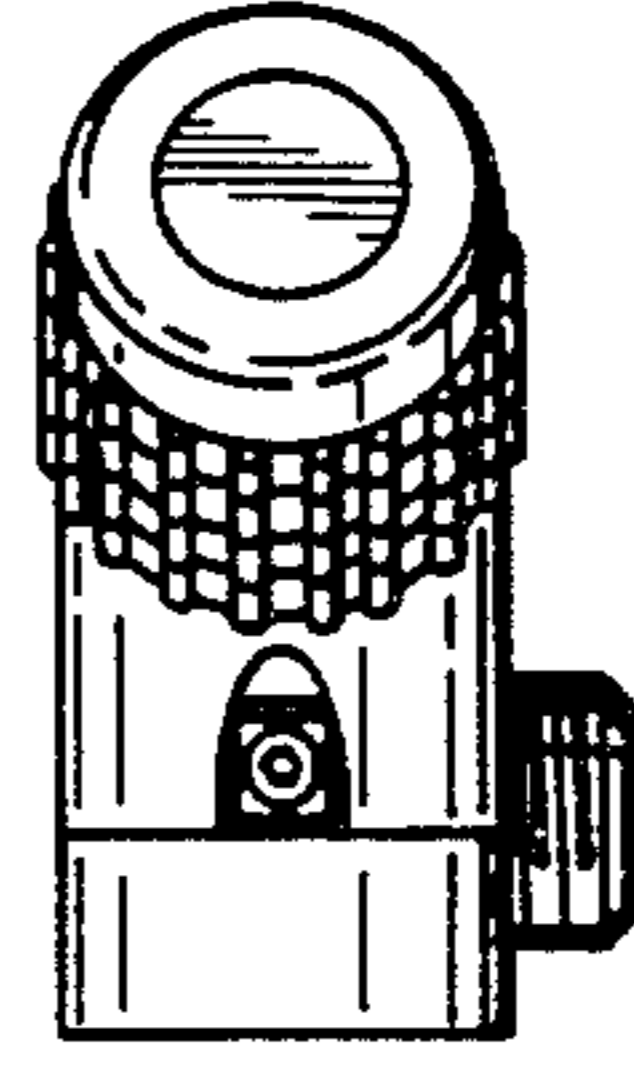


FIG. 2

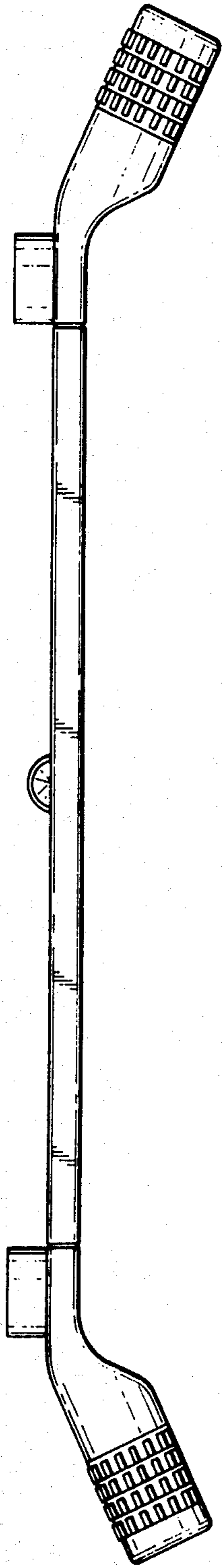


FIG. 3



FIG. 4

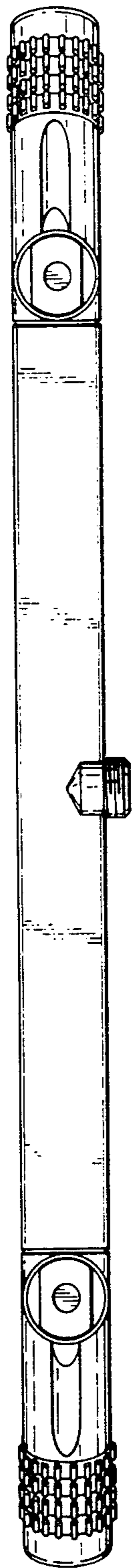


FIG. 5

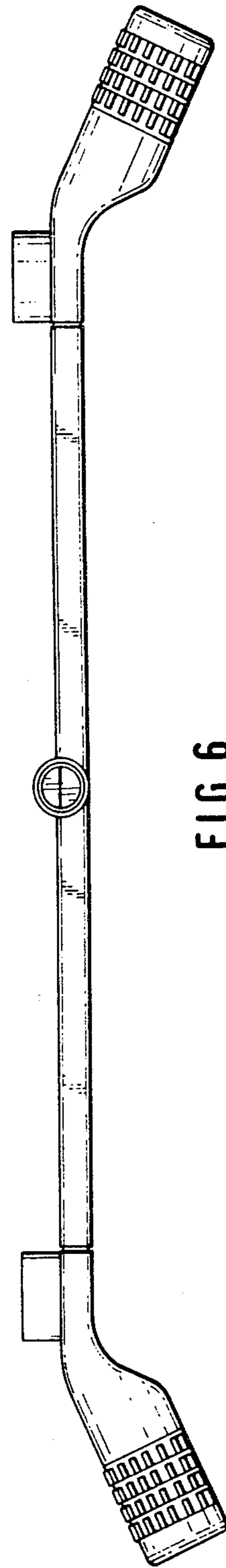


FIG. 6