

[54] SHOWER HEAD

[76] Inventors: Sidney J. Shames, 57 Holly Pl., Briarcliff Manor, N.Y. 10510; Harold Shames, 5 Agnes Cir., Ardsley, N.Y. 10502

[**] Term: 14 Years

[21] Appl. No.: 517,242

[22] Filed: Jul. 25, 1983

[52] U.S. Cl. D23/35

[58] Field of Search D23/34-37; 239/281, 282, 283, 530, 581, 582, 583

[56] References Cited

U.S. PATENT DOCUMENTS

D. 155,097	9/1949	Magos et al.	D23/35
D. 188,644	8/1960	Kohler	D23/35
D. 191,428	9/1961	Leighton	D23/35
D. 215,936	11/1969	Contreras	D23/35
D. 217,606	5/1970	Young	D23/35
D. 261,417	10/1981	Klose	D23/35

D. 268,205	3/1983	Smith	D23/35
2,935,265	5/1960	Riehter	239/428.5 X
2,948,477	8/1960	Fraser	D23/35 X
2,990,123	6/1961	Hyde	239/499 X
4,344,578	8/1982	Shames et al.	239/583

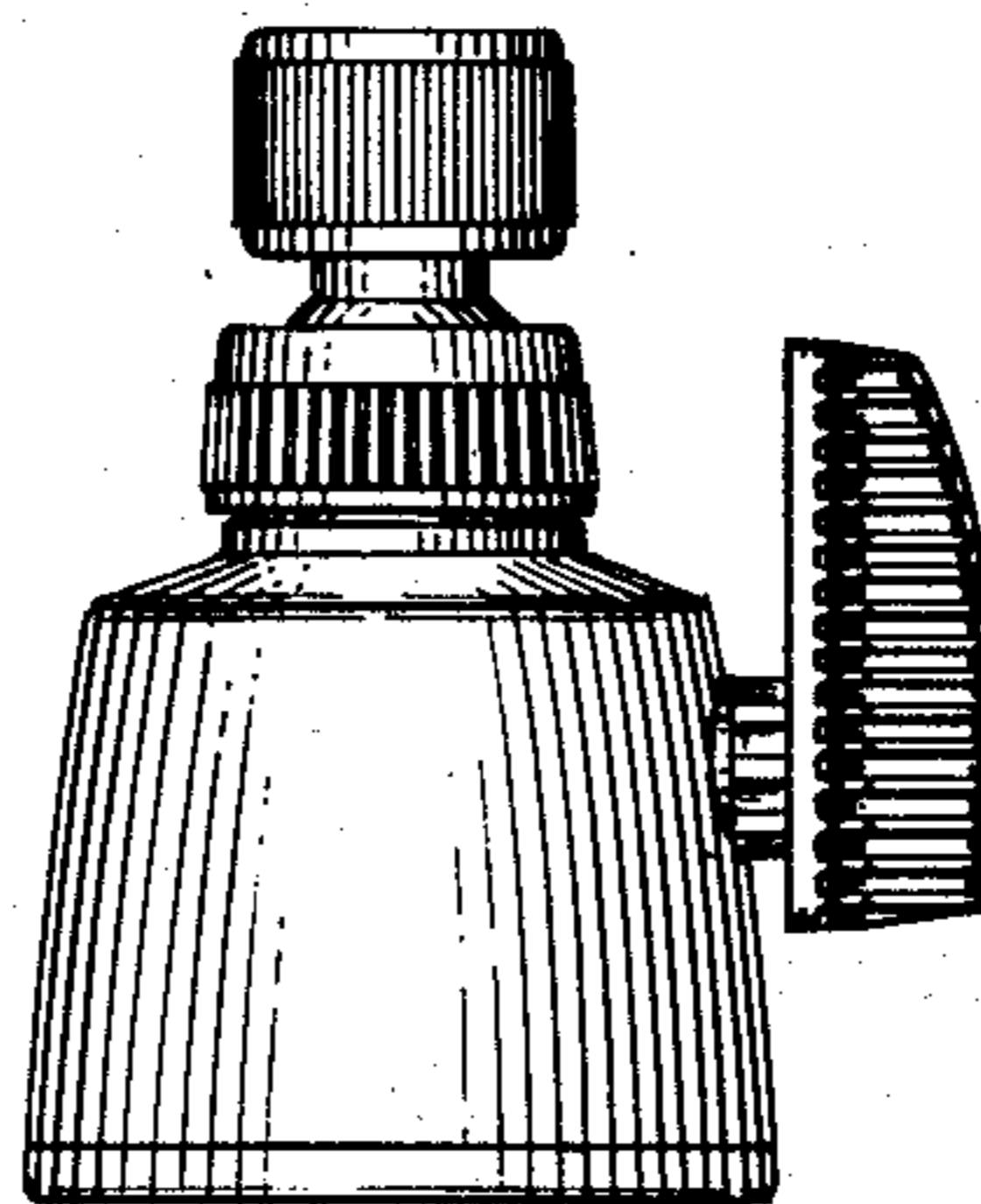
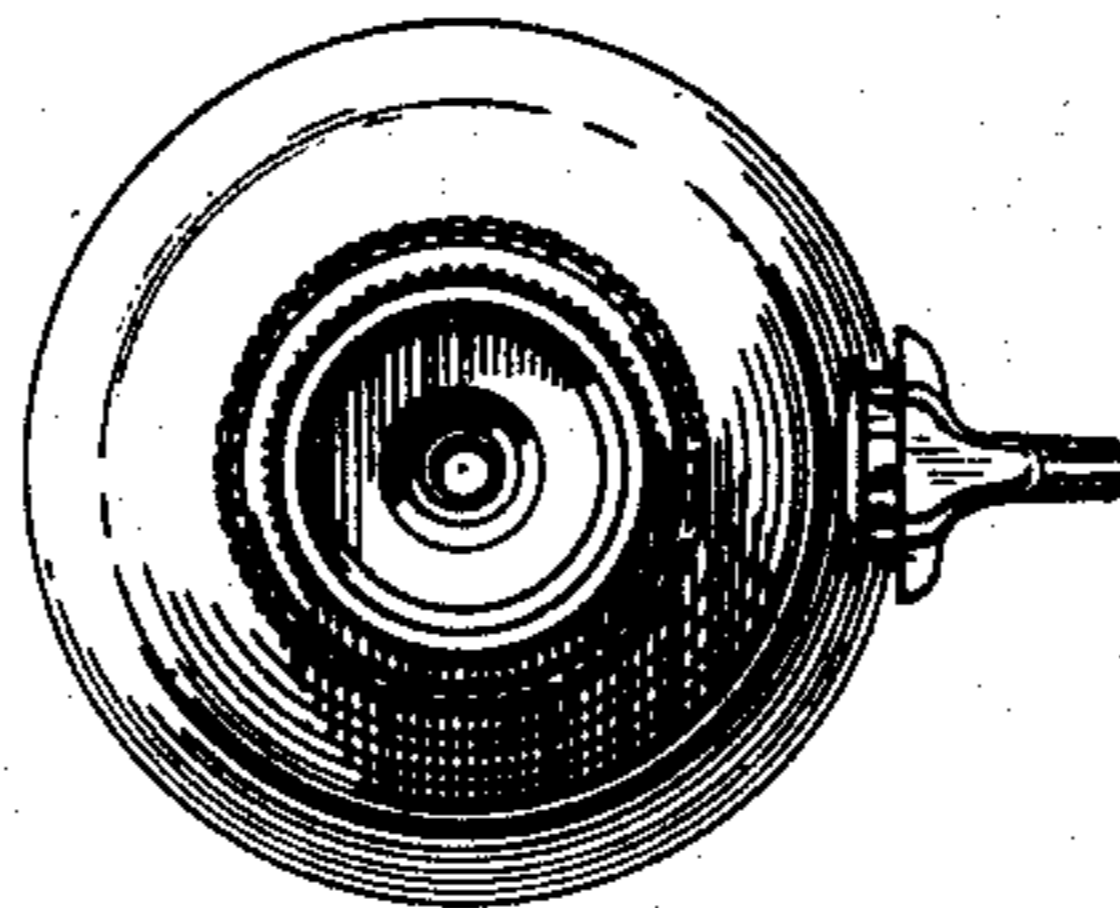
Primary Examiner—James R. Largen
Attorney, Agent, or Firm—Norman Lettvin

[57] CLAIM

The ornamental design for a shower head, as shown and described.

DESCRIPTION

FIG. 1 is a side elevational view of a shower head embodying our new design, the opposite side being a mirror image of the side shown;
FIG. 2 is a side elevational view taken ninety degrees to the right of the side shown in FIG. 1;
FIG. 3 is a top plan view thereof;
FIG. 4 is a bottom plan view thereof; and
FIG. 5 is a side elevational view similar to FIG. 1, but showing the spray control handle in a different position.



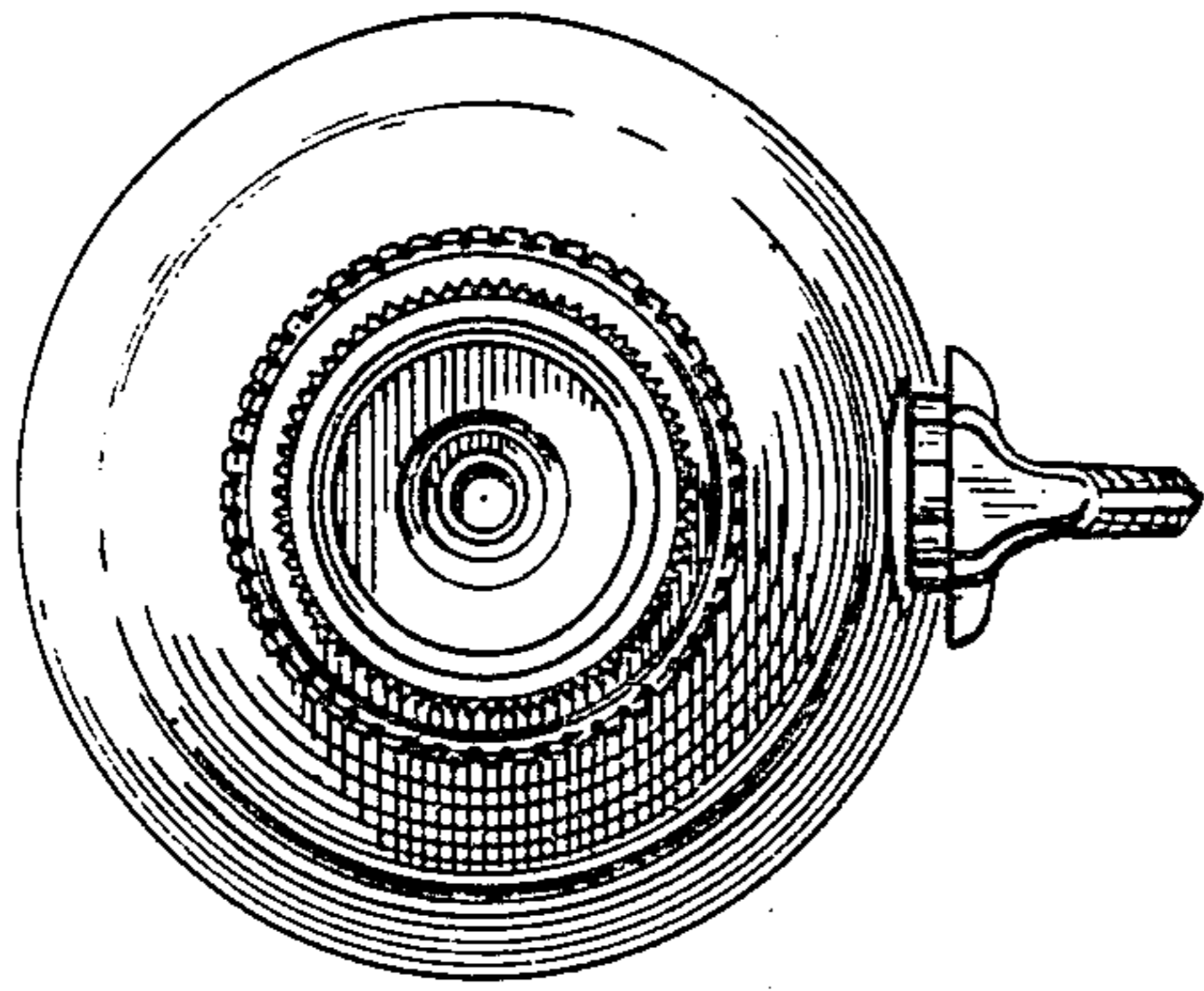


FIG. 3

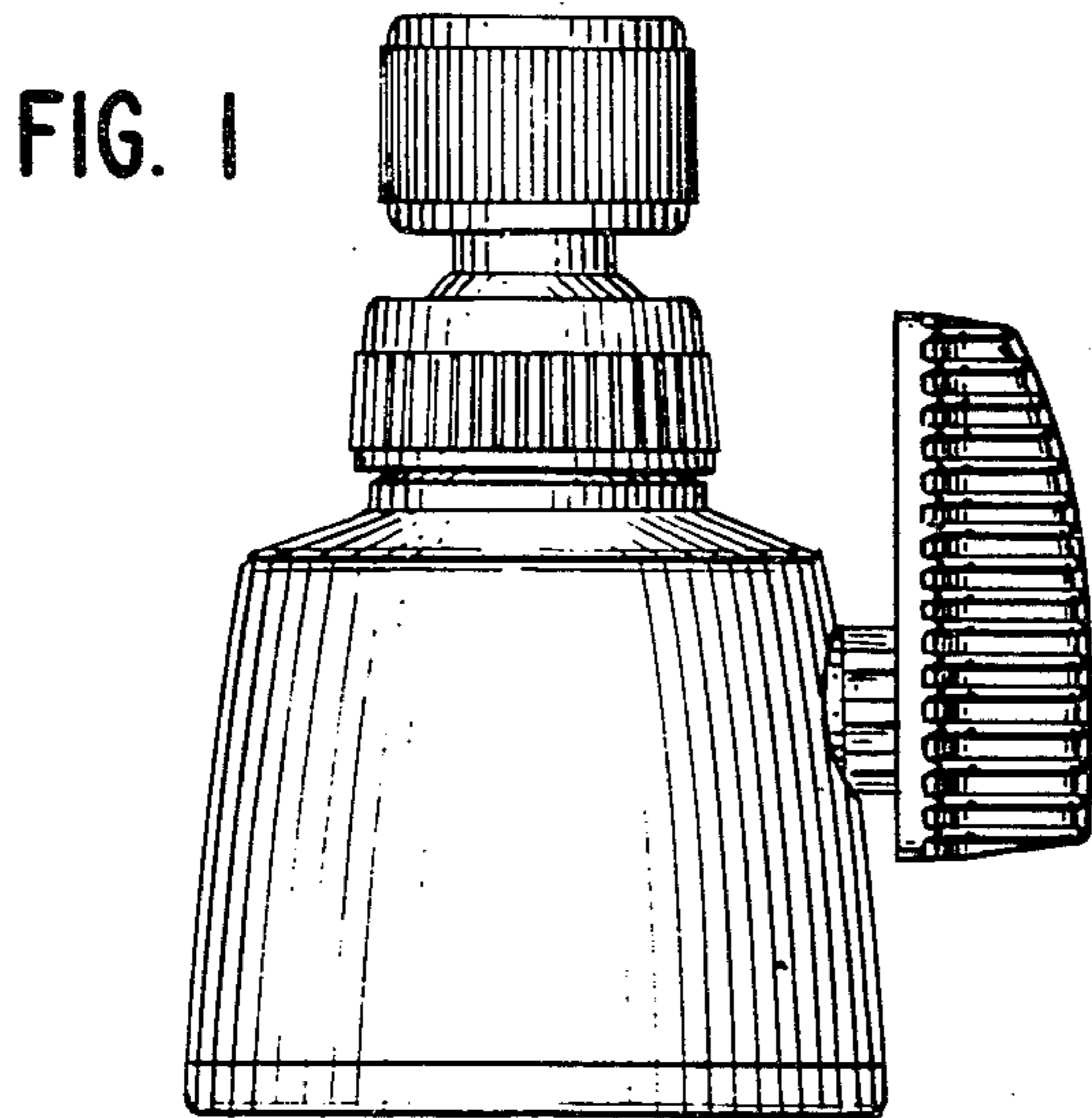


FIG. 1

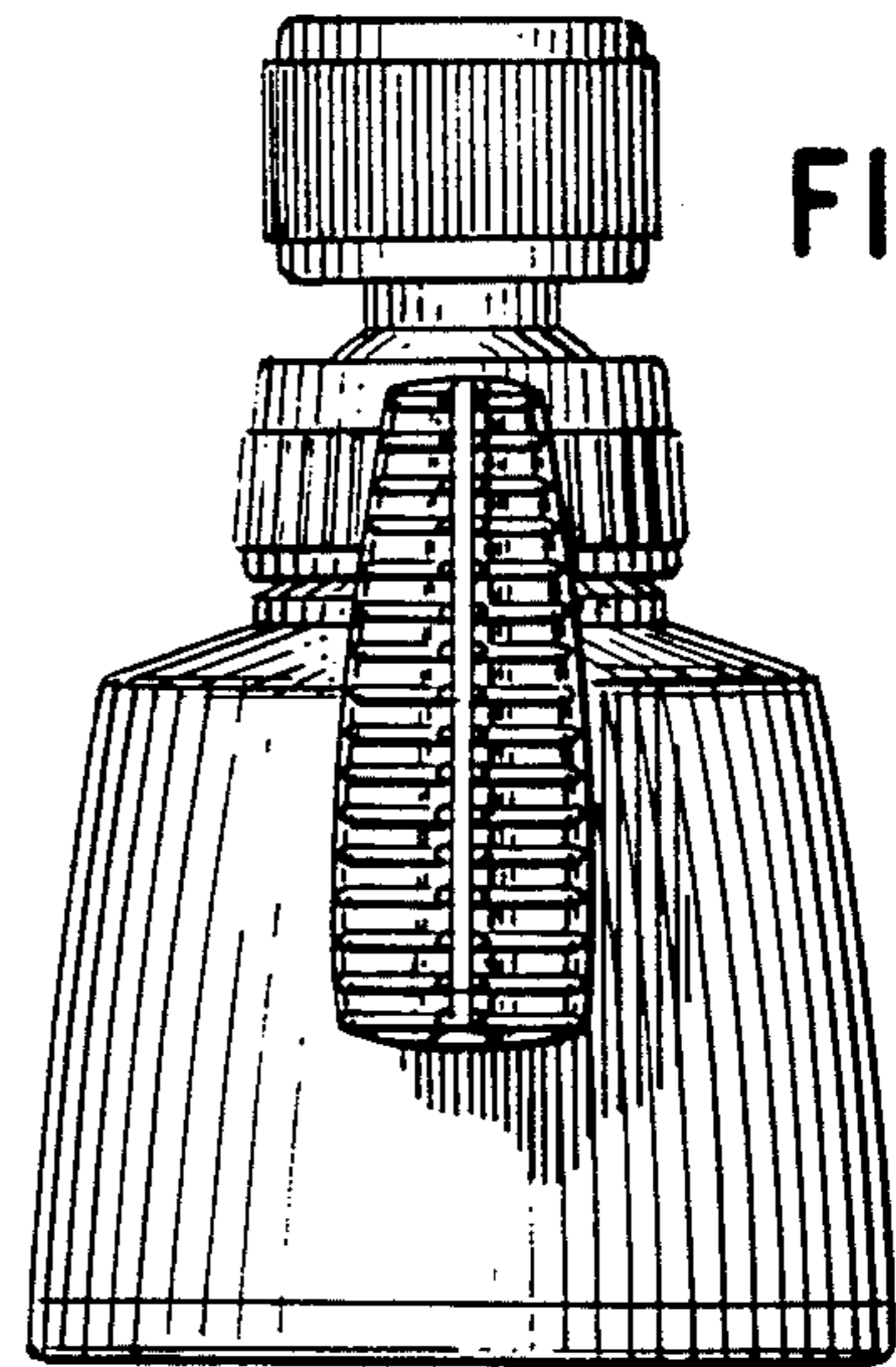


FIG. 2

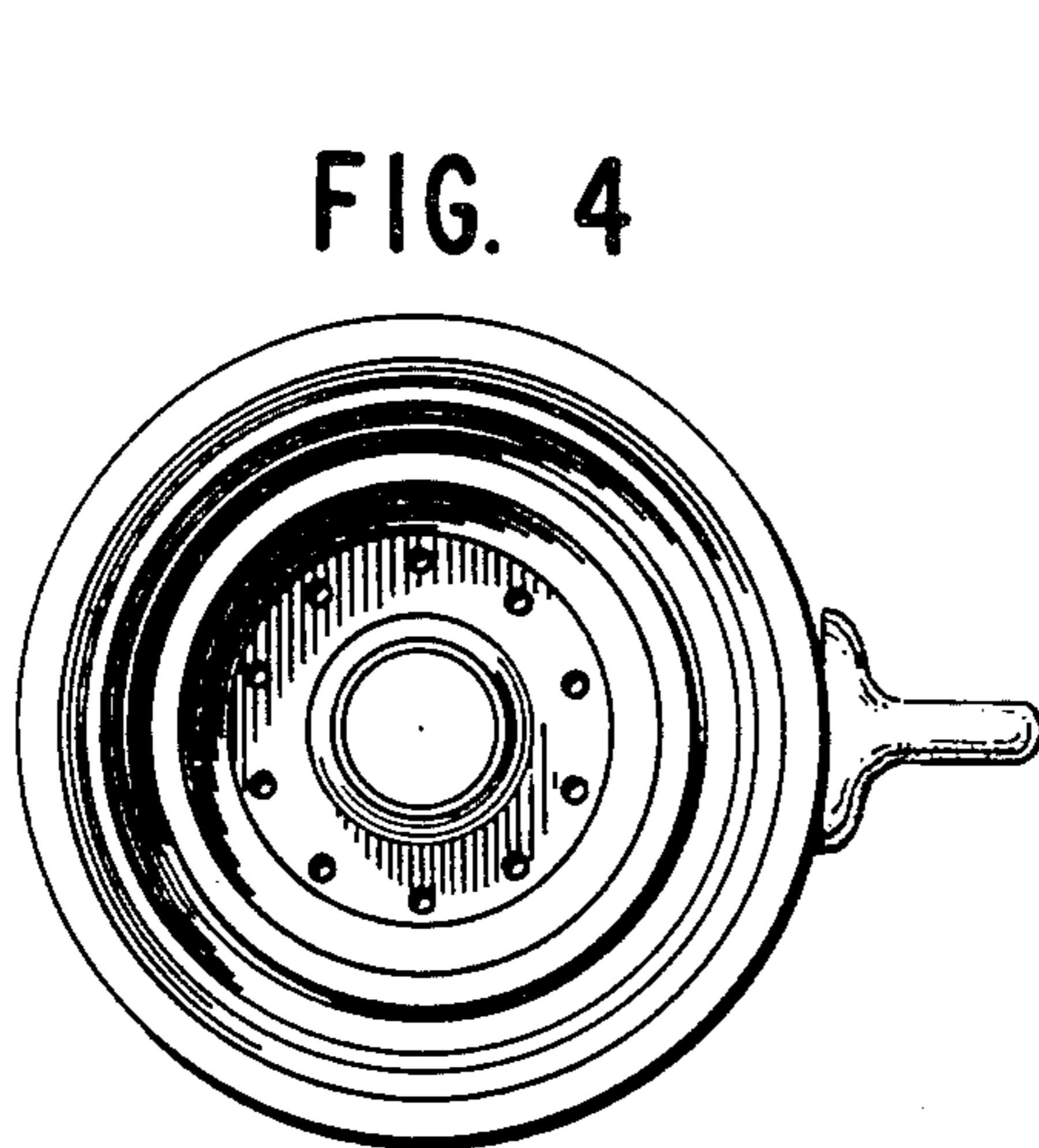


FIG. 4

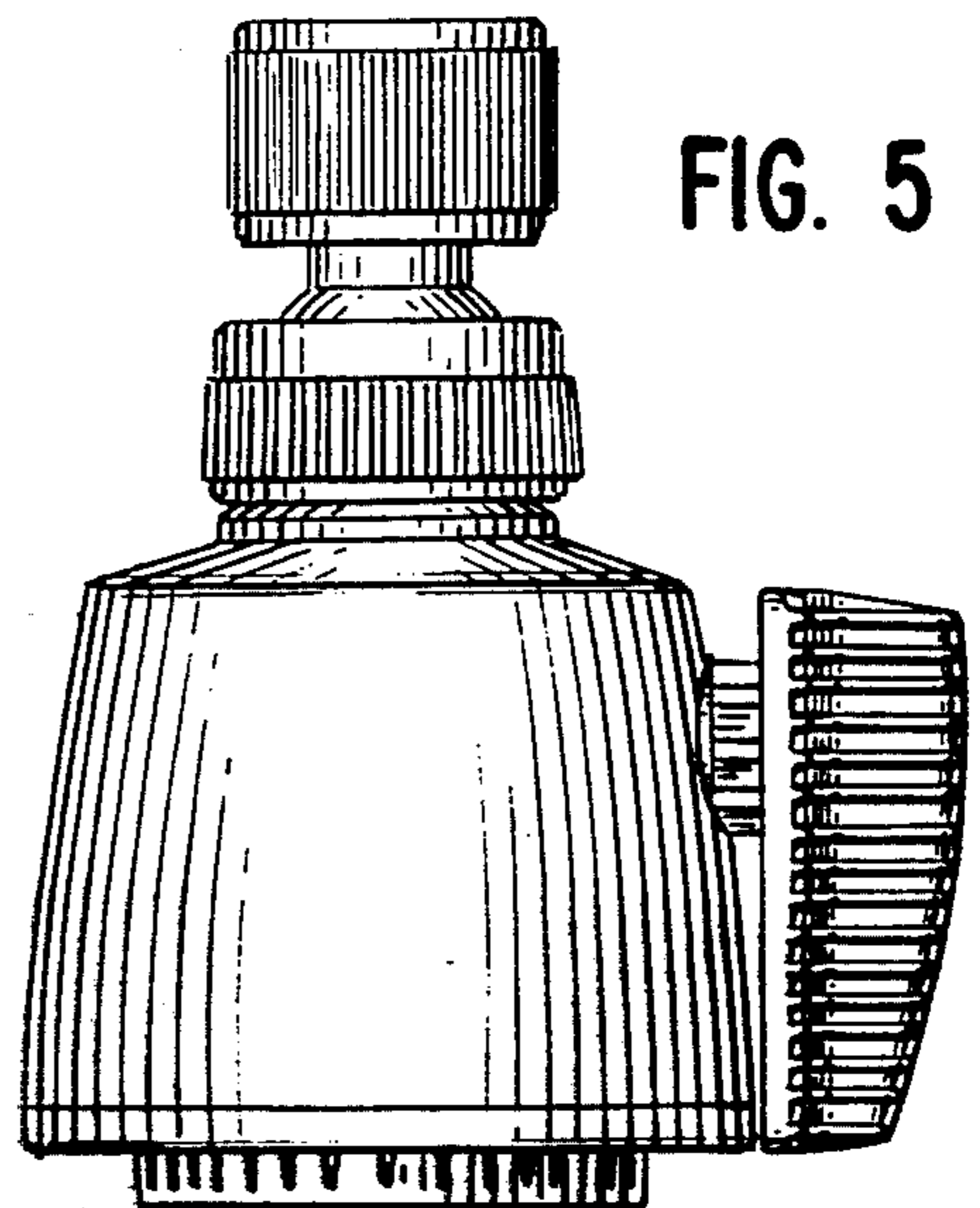


FIG. 5