

[54] EXERCYCLE

[76] Inventors: Stanley Bell, 11 Knoll St., Port Washington, N.Y. 11050; Gordon R. Perry, 121 W. 3rd St., New York, N.Y. 10012

[**] Term: 14 Years

[21] Appl. No.: 521,790

[22] Filed: Aug. 9, 1983

[52] U.S. Cl. D21/194

[58] Field of Search D21/194; 272/70.3, 73, 272/132, DIG. 6; 73/379; D12/111, 117-119

[56] References Cited

U.S. PATENT DOCUMENTS

D. 218,623	9/1970	Margolies	D21/194
D. 264,235	5/1982	Chirapozu	D21/194
3,940,128	2/1976	Ragone	272/73
4,313,602	2/1982	Sullivan	272/73

OTHER PUBLICATIONS

Sporting Goods Dealer, 9-1981, p. 12, "Tunturi" Exercycles.

Sporting Goods Dealer, 8-1982, p. 62, "Universal Fitness" Exercycles.

Abercrombie & Fitch Catalog, p. 21, Item #1, #8184, Ergometer.

Marcy Catalog, 10-1982, p. 9, "Bodycycle".

The Sporting Goods Dealer, Jan. 1983, (Exhibit 2).

Tunturi Brochure 1979.

Tunturi Brochure 1980.

Taiwan Bicycle Advertisement in catalog of Sporting Goods Mfg. International Show.

Primary Examiner—Charles A. Rademaker

Attorney, Agent, or Firm—Ladas & Parry

[57] CLAIM

The ornamental design for an exercycle, as shown and described.

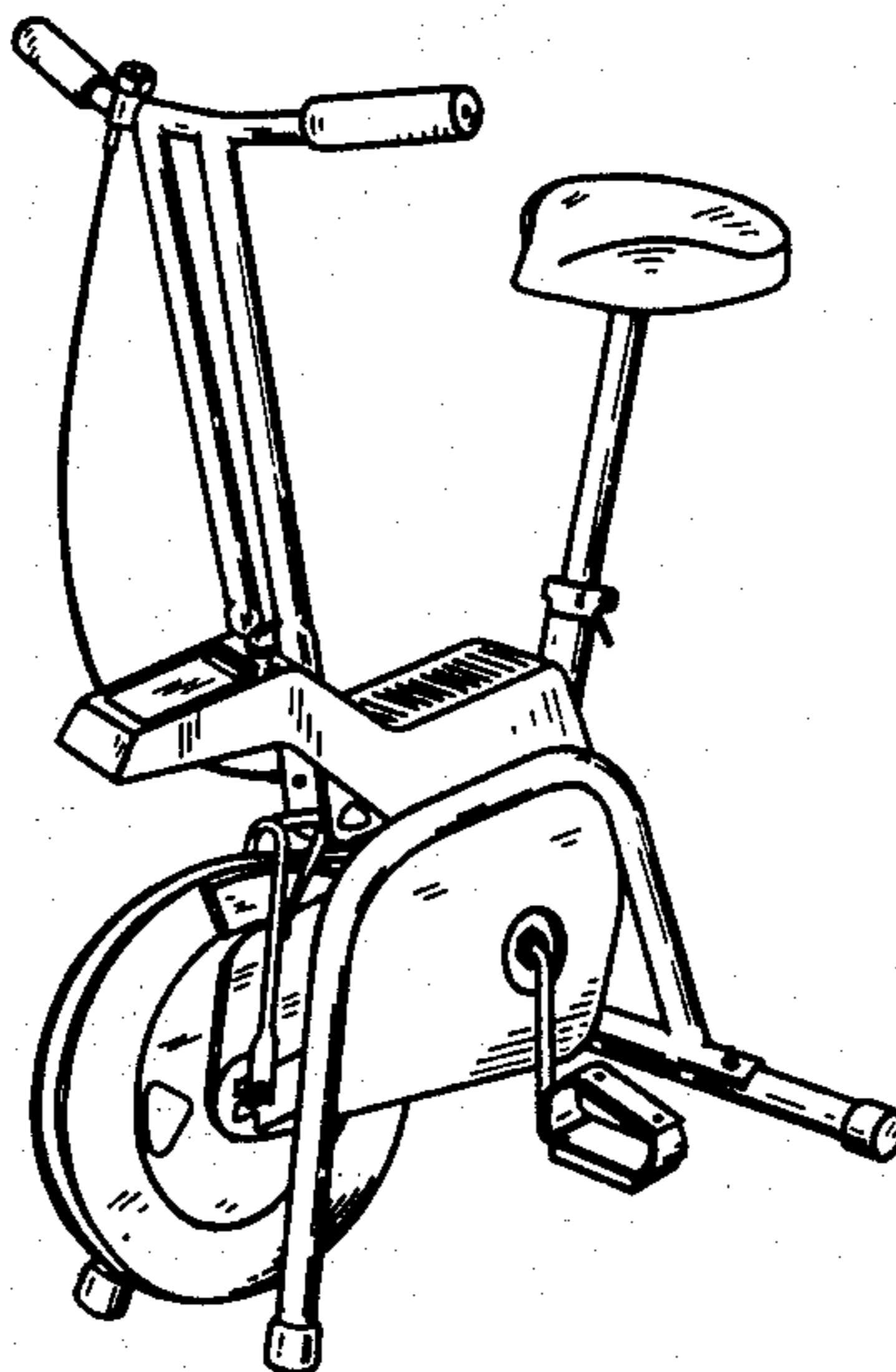
DESCRIPTION

FIG. 1 is a perspective view of an exercycle showing our new design;

FIG. 2 is a side elevational view thereof, the side opposite being substantially a mirror image;

FIG. 3 is a top plan view thereof, and,

FIG. 4 is a rear elevational view thereof.



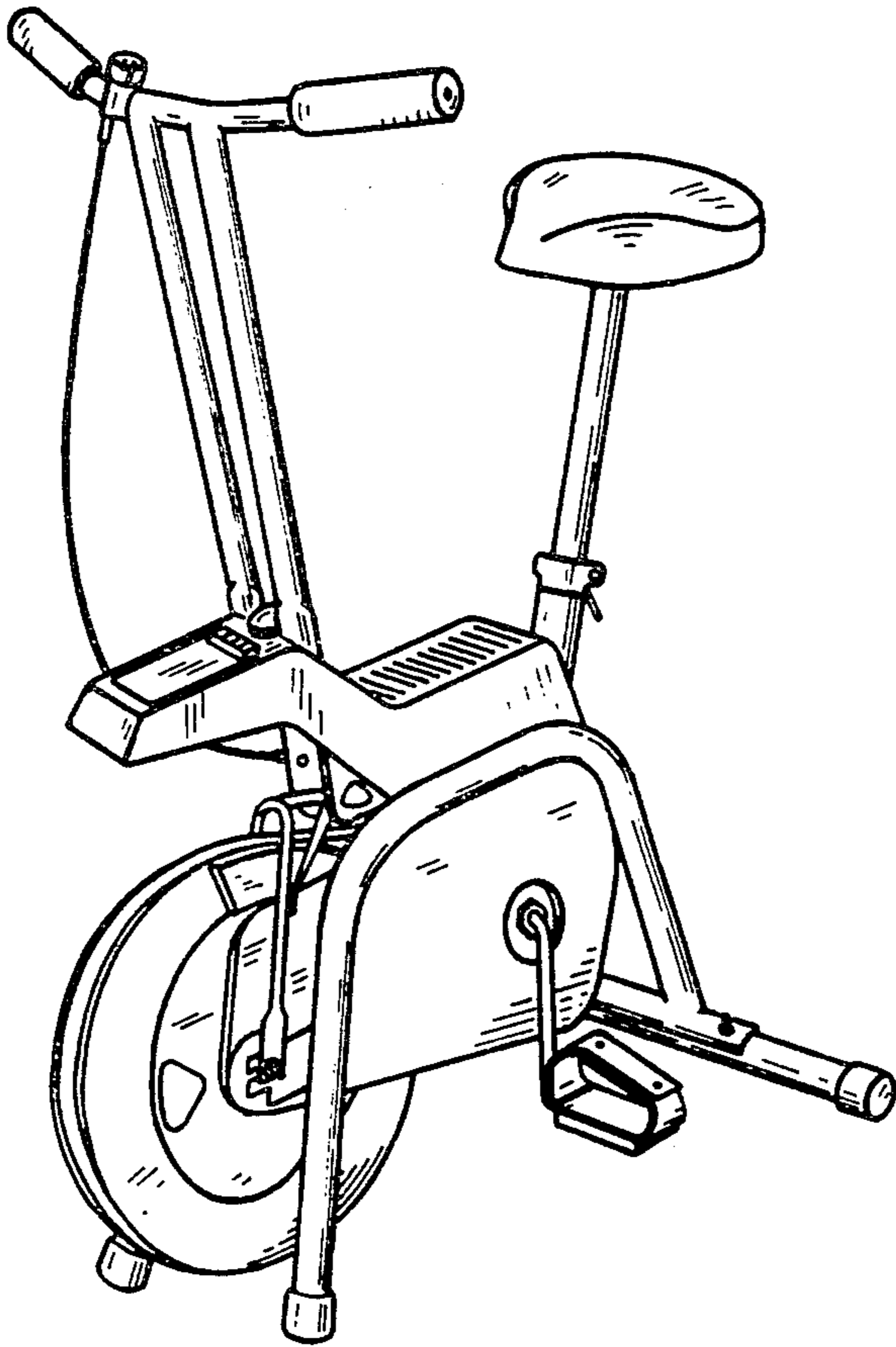


FIG. 1

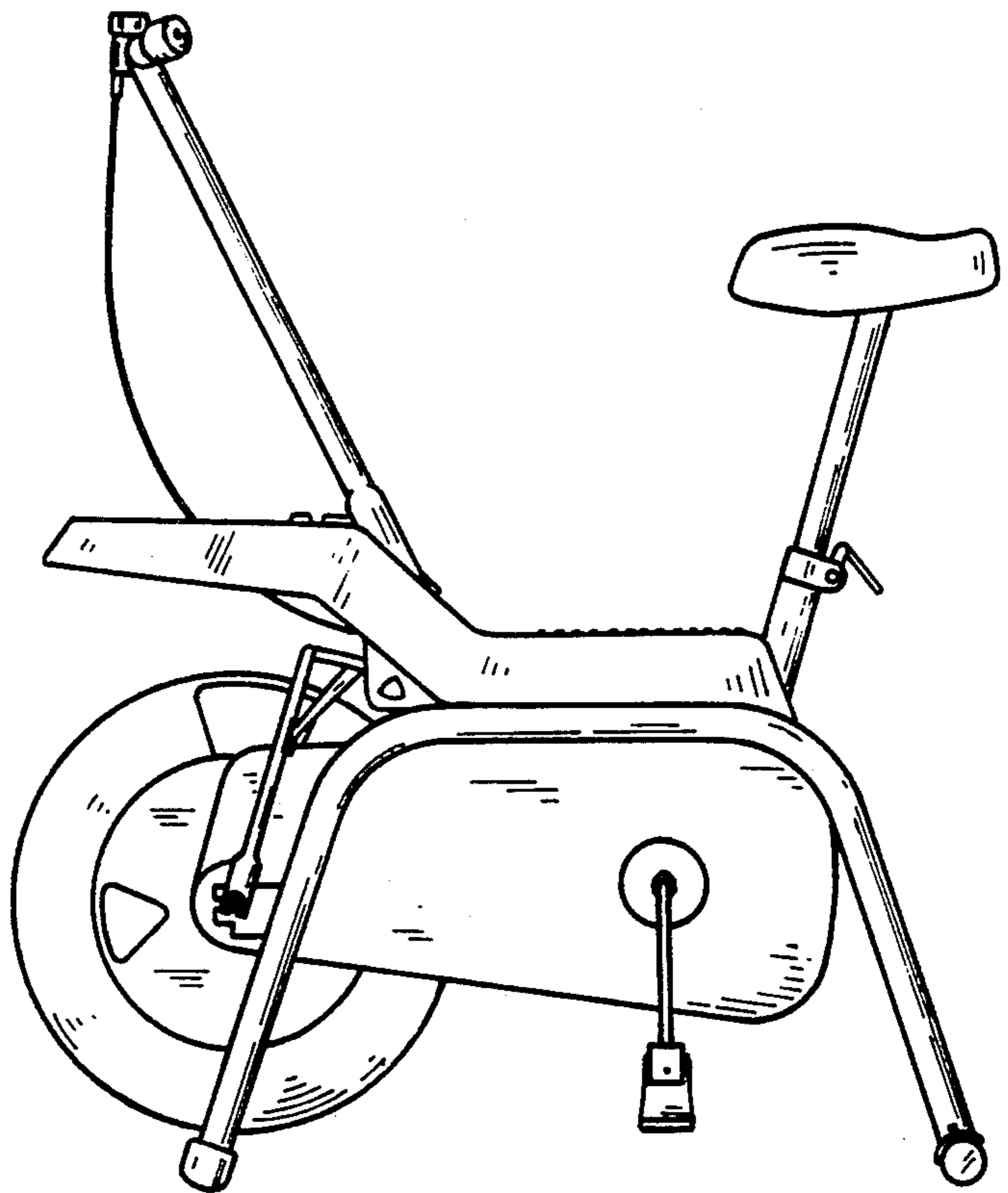


FIG. 2

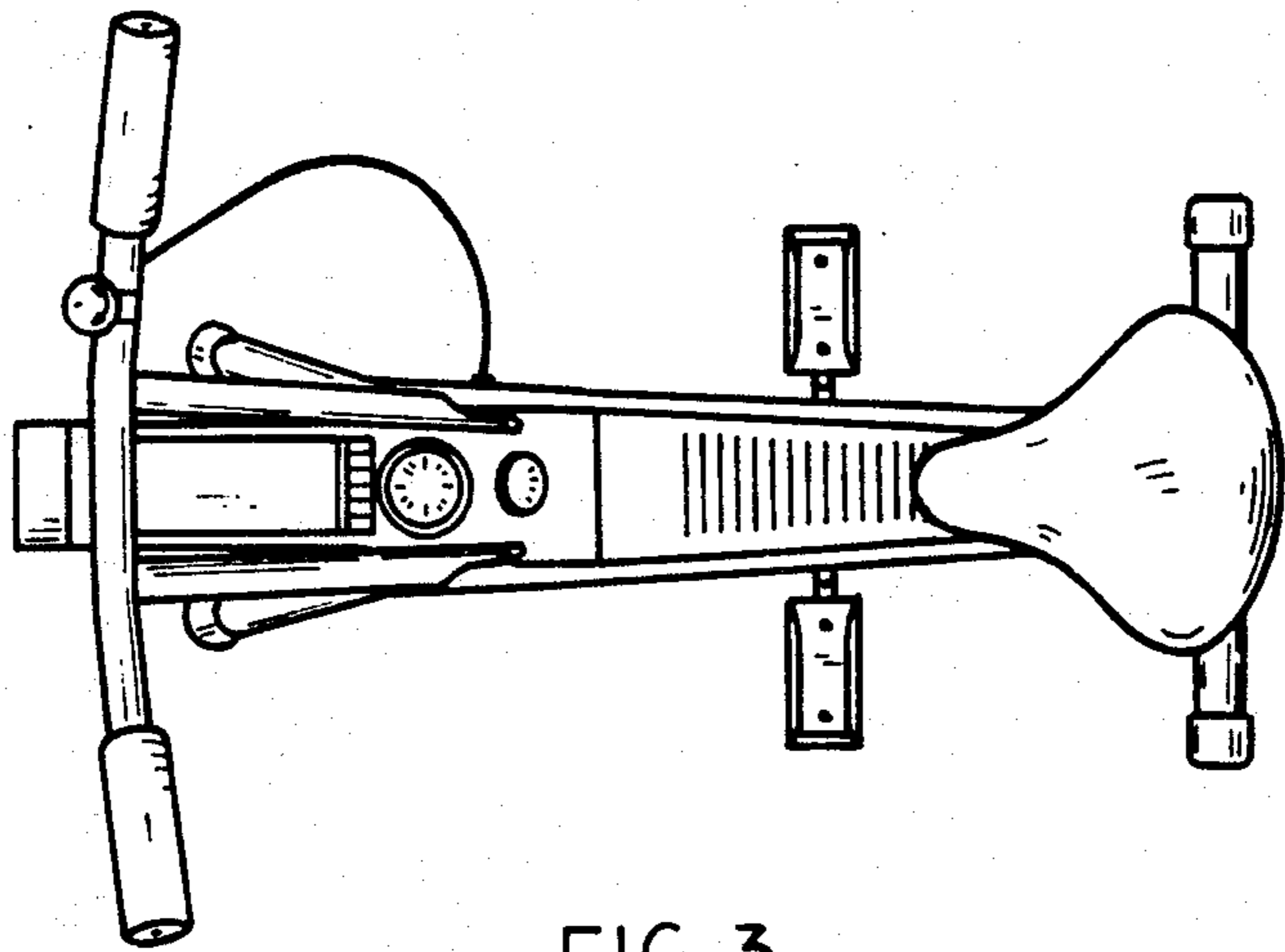


FIG. 3

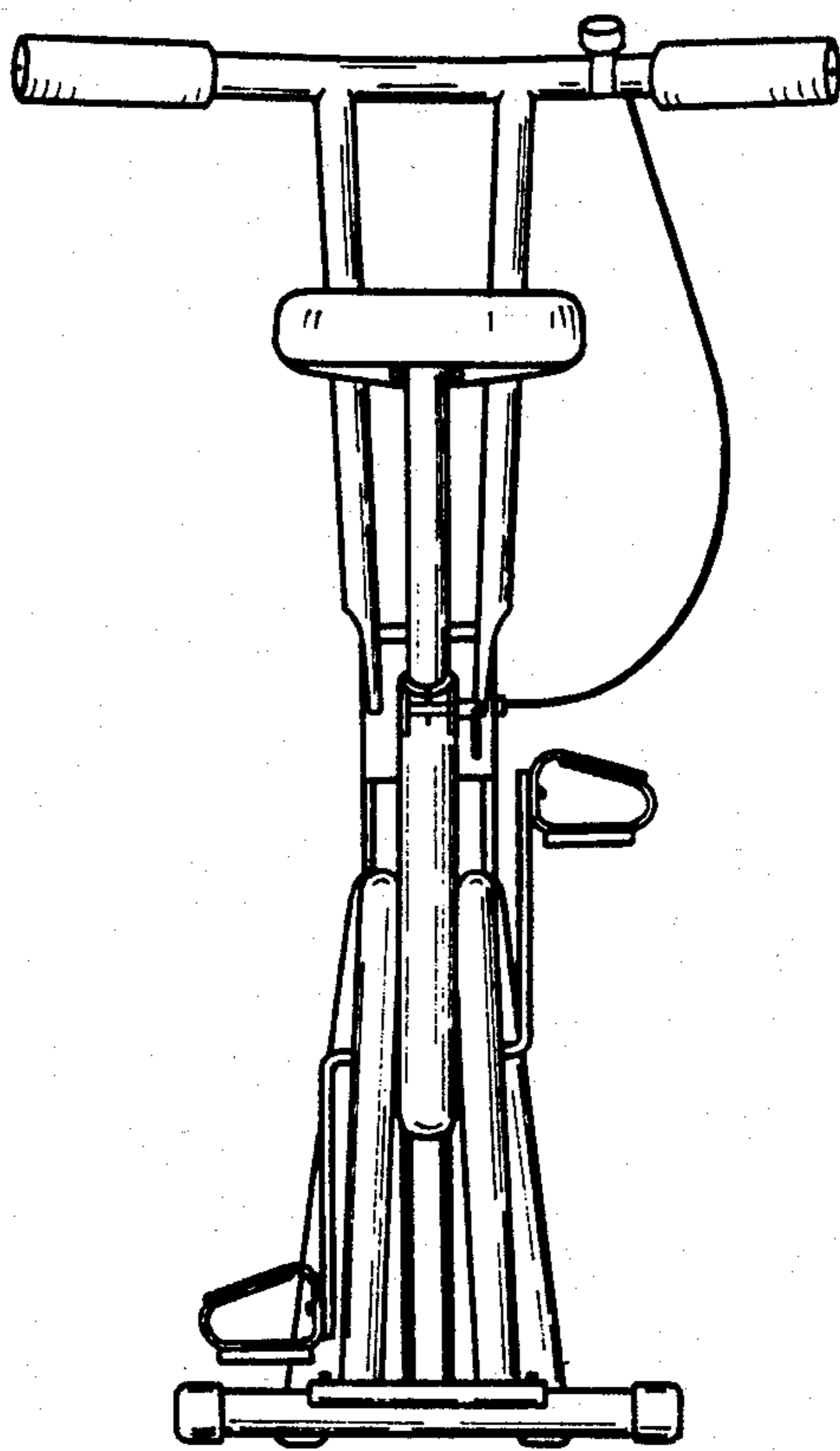


FIG. 4