

[54] **TOY TRUCK**

[75] **Inventor: Masumi Terui, Matsudo, Japan**

[73] **Assignee: Takara Co., Ltd., Tokyo, Japan**

[**] **Term: 14 Years**

[21] **Appl. No.: 508,489**

[22] **Filed: Jun. 27, 1983**

[30] **Foreign Application Priority Data**

Dec. 29, 1983 [JP] Japan 57-201733[U]

[52] **U.S. Cl.** D21/140; D21/128;
D21/138

[58] **Field of Search** D21/76, 78-81,
D21/128, 131-140; 280/87.01, 87.02 R, 87.1,
87.2; 446/433, 440, 451, 465, 466

[56] **References Cited**

U.S. PATENT DOCUMENTS

- D. 187,804 5/1960 Alvaney D21/135
- D. 258,974 4/1981 Samuels D21/139
- D. 275,872 10/1984 Peter et al. D21/134

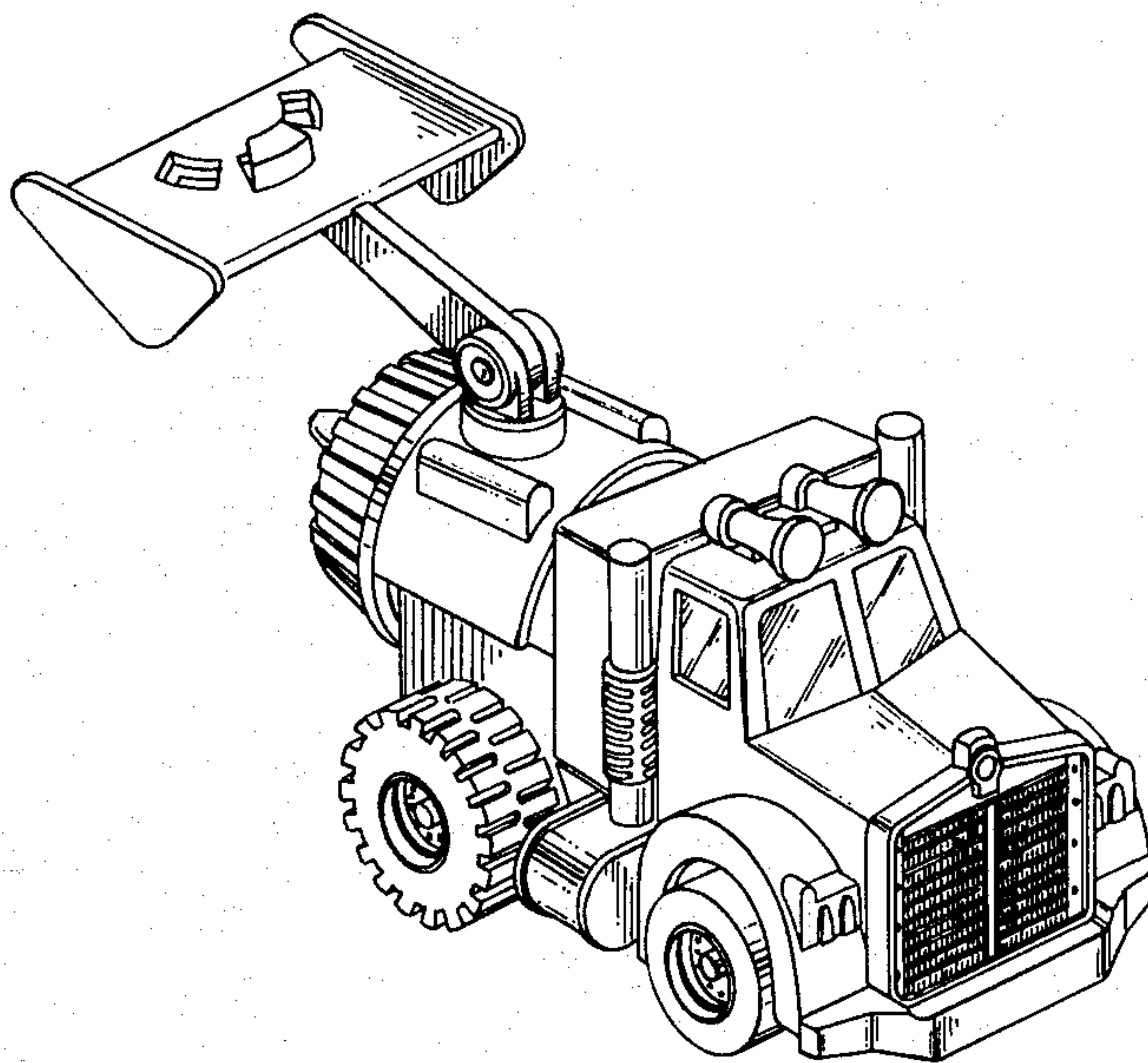
Primary Examiner—Charles A. Rademaker
Attorney, Agent, or Firm—Price, Gass & Ubell

[57] **CLAIM**

The ornamental design for a toy truck, substantially as shown and described.

DESCRIPTION

FIG. 1 is a front perspective view of a toy truck showing my new design;
 FIG. 2 is a bottom plan view thereof;
 FIG. 3 is a front elevational view thereof;
 FIG. 4 is a side elevational view thereof;
 FIG. 5 is a rear elevational view thereof, and
 FIG. 6 is a top plan view thereof.



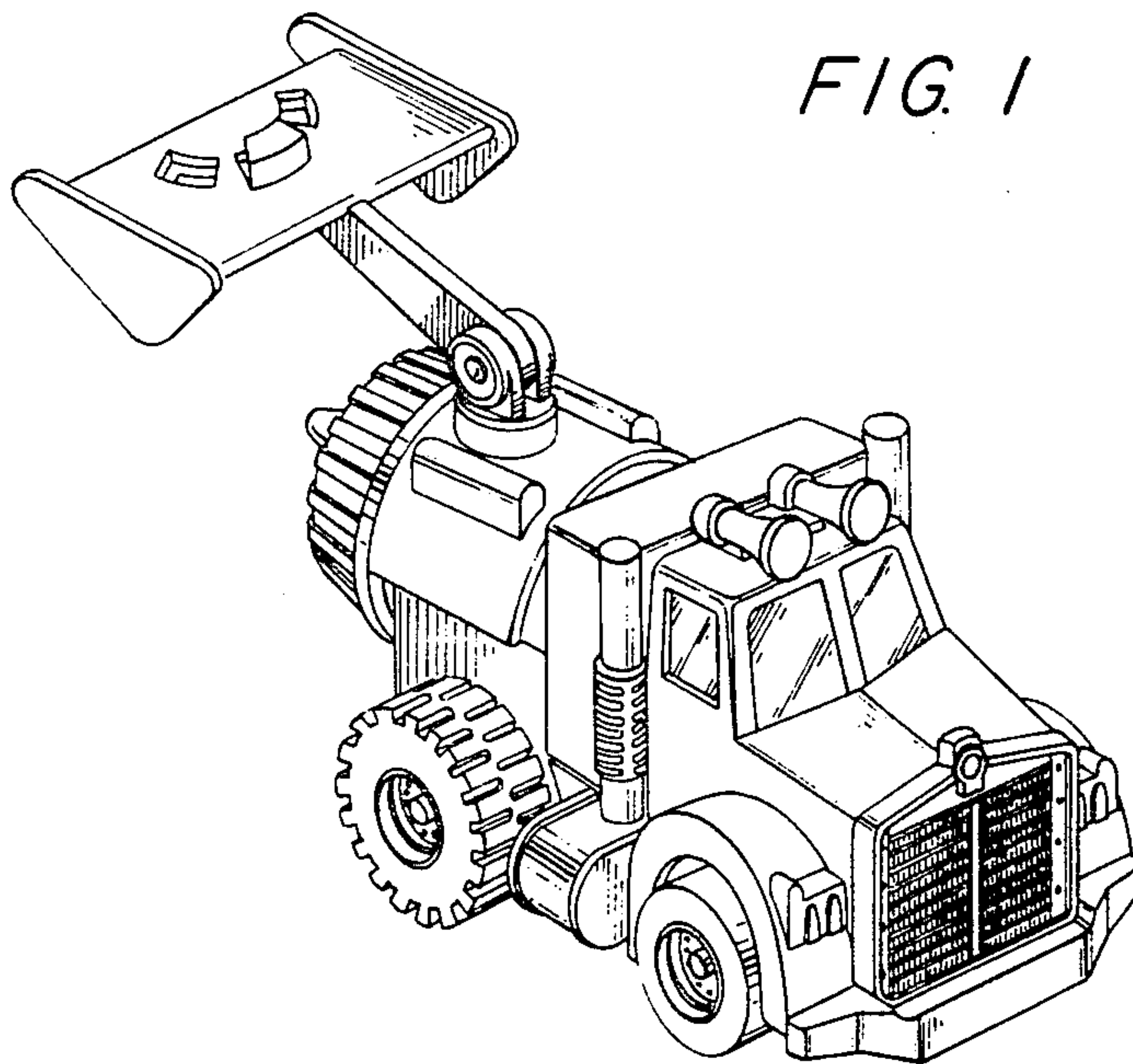


FIG. 2

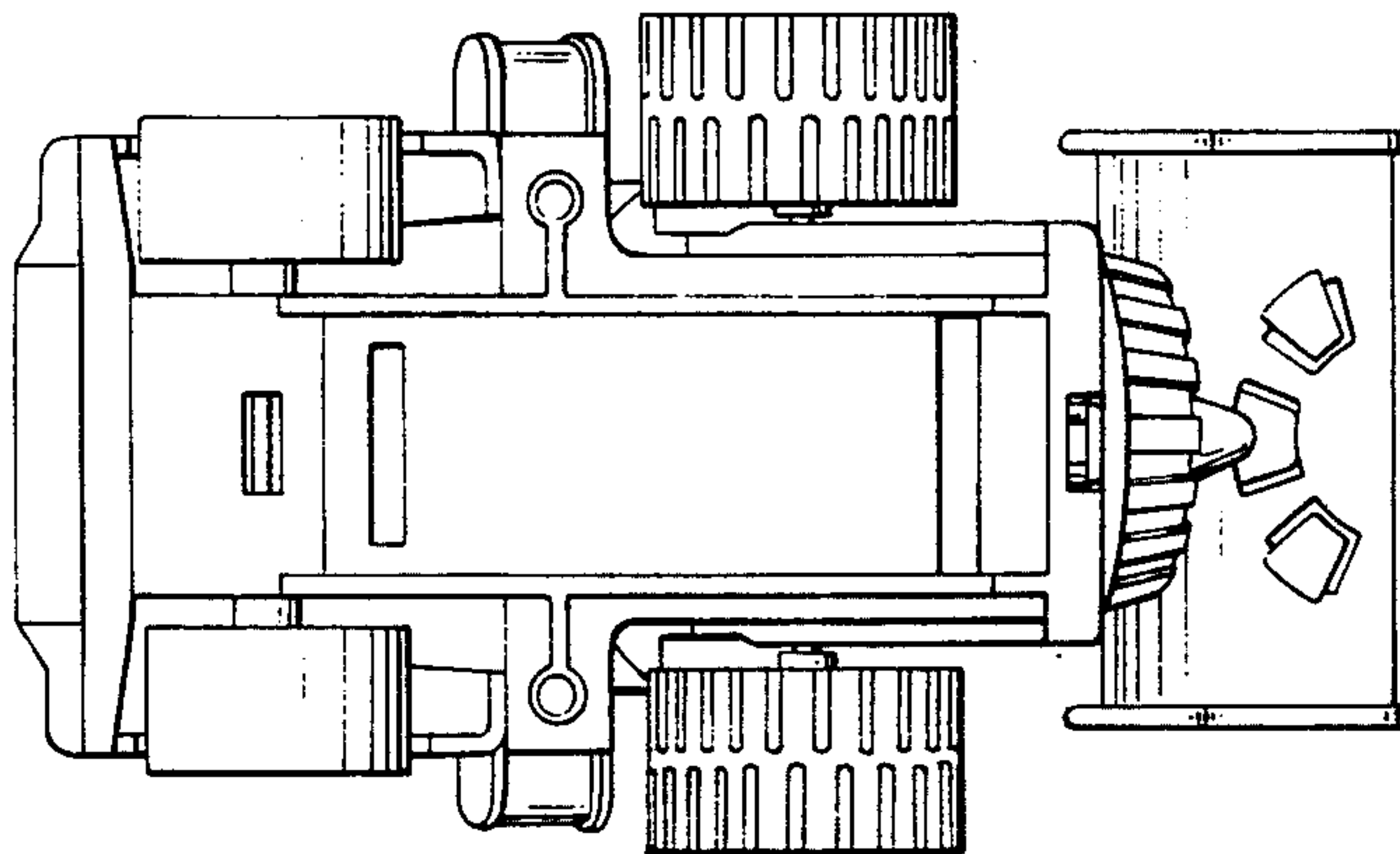


FIG. 3

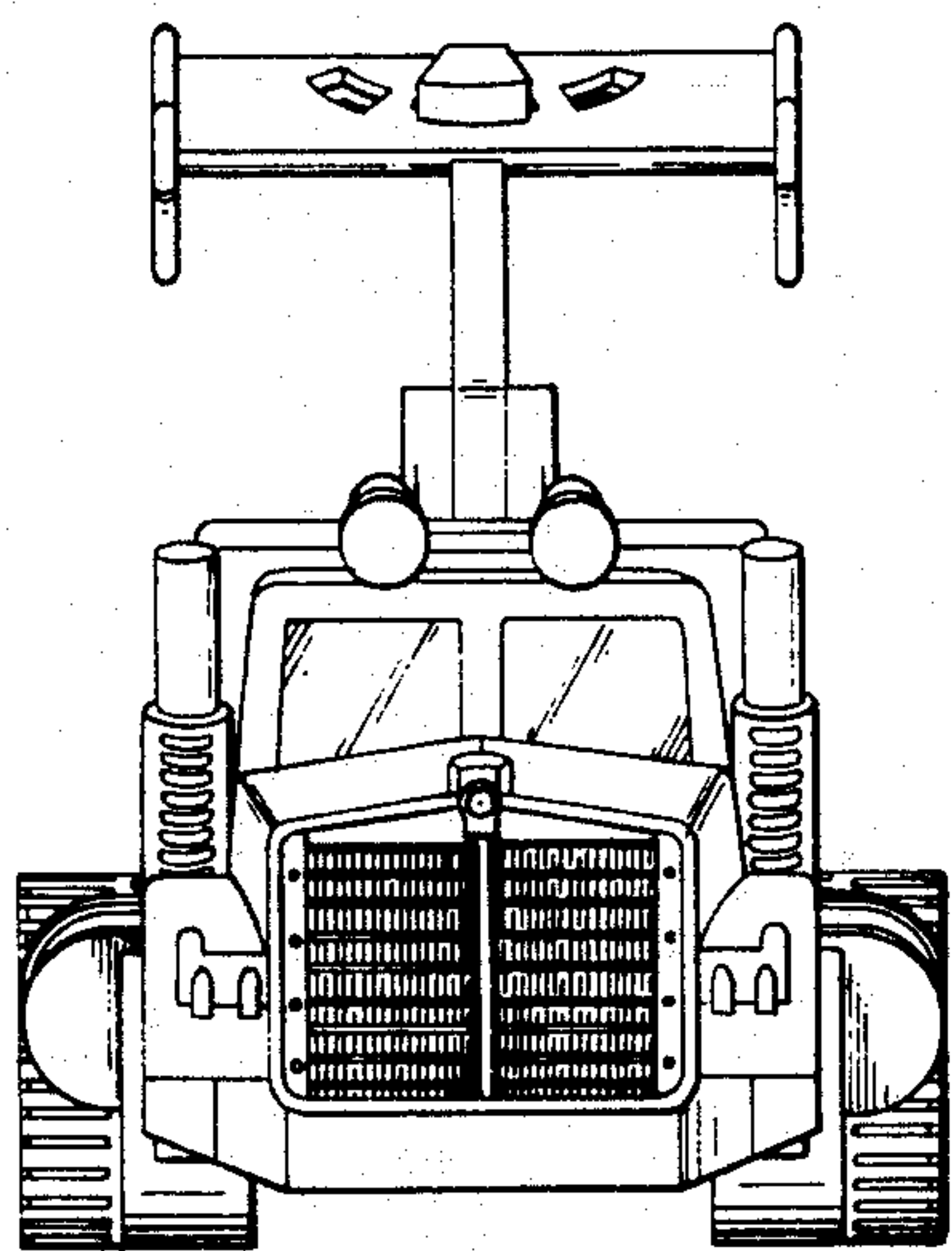


FIG. 4

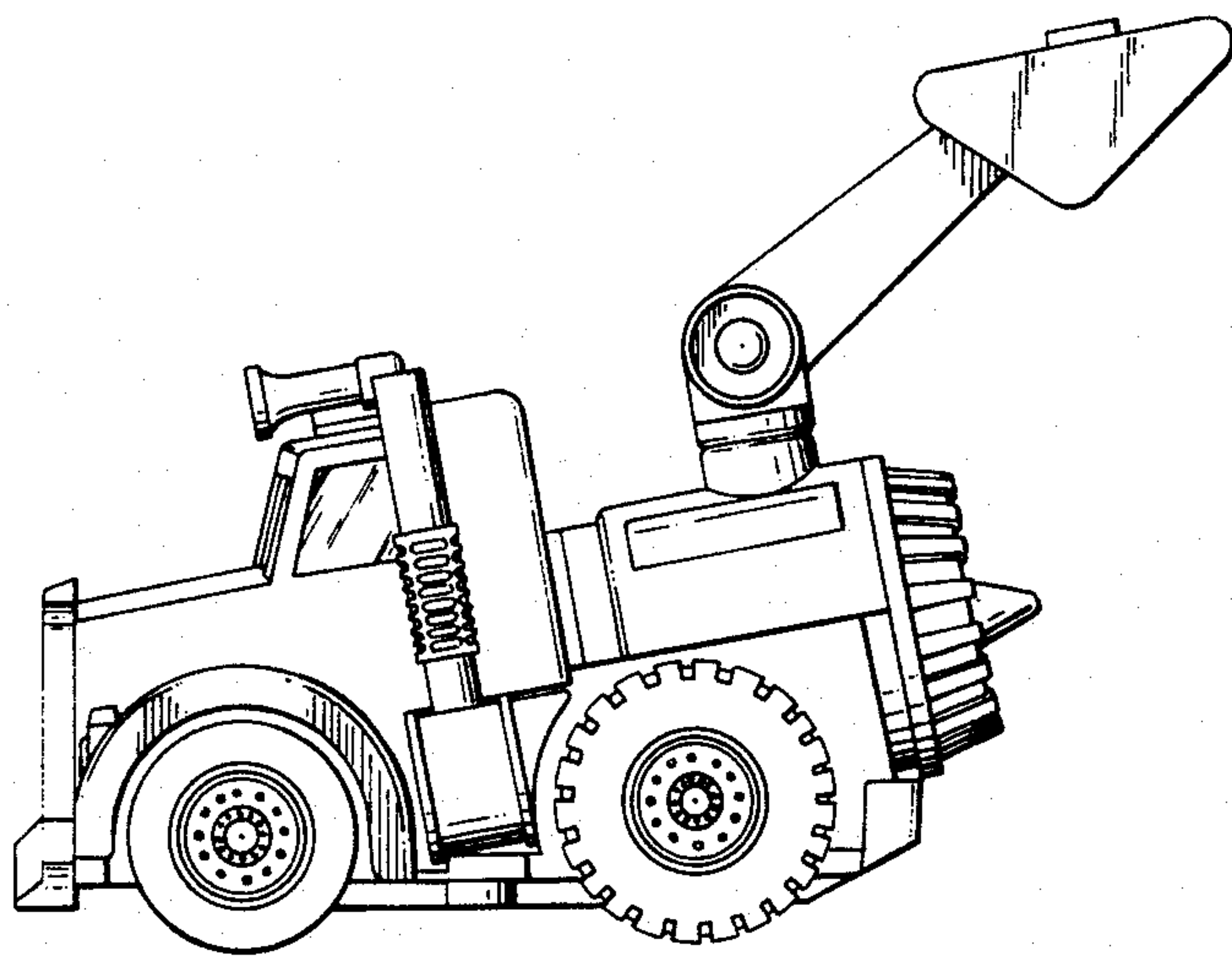


FIG. 5

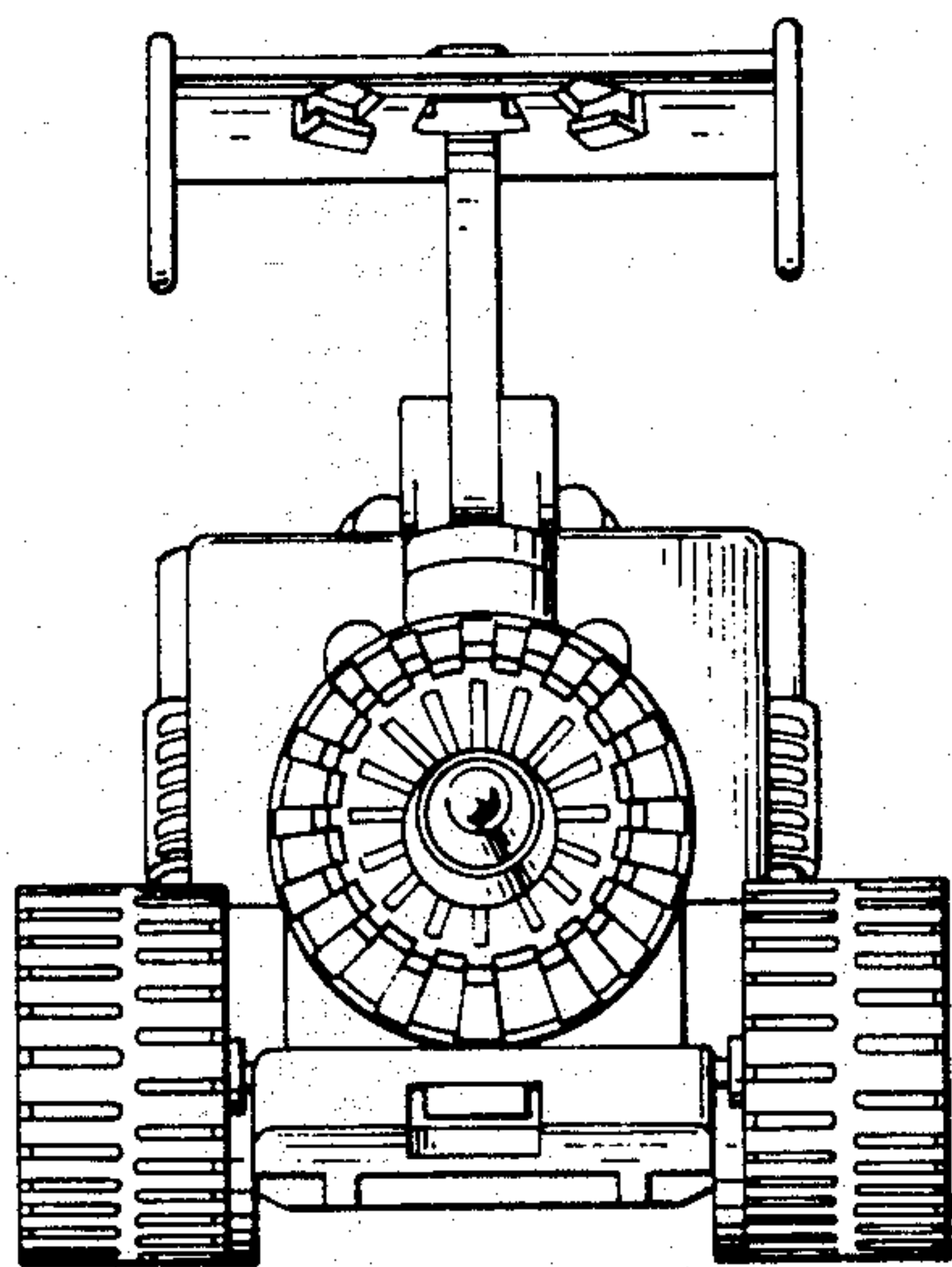


FIG. 6

