

[54] **RIDING TOY**

[75] **Inventors: Joel C. Cunard; William H. Ziegler, Jr., both of Bedford, Pa.**

[73] **Assignee: Hedstrom Corporation, Bedford, Pa.**

[\*\*] **Term: 14 Years**

[21] **Appl. No.: 555,292**

[22] **Filed: Nov. 25, 1983**

[52] **U.S. Cl. .... D21/134**

[58] **Field of Search ..... D21/71, 73, 74, 76, D21/78, 81, 128, 130, 134, 135, 136, 137, 140; 446/71, 72, 88, 93, 94, 95, 465, 469, 470, 471**

[56] **References Cited**

**U.S. PATENT DOCUMENTS**

D. 220,508 4/1971 Good ..... D21/78

D. 221,567 8/1971 Cook et al. .... D21/78  
D. 227,494 6/1973 Campbell et al. .... D21/71  
D. 238,798 2/1976 Goldfarb ..... D21/134  
3,599,366 8/1971 Pauly ..... 446/469

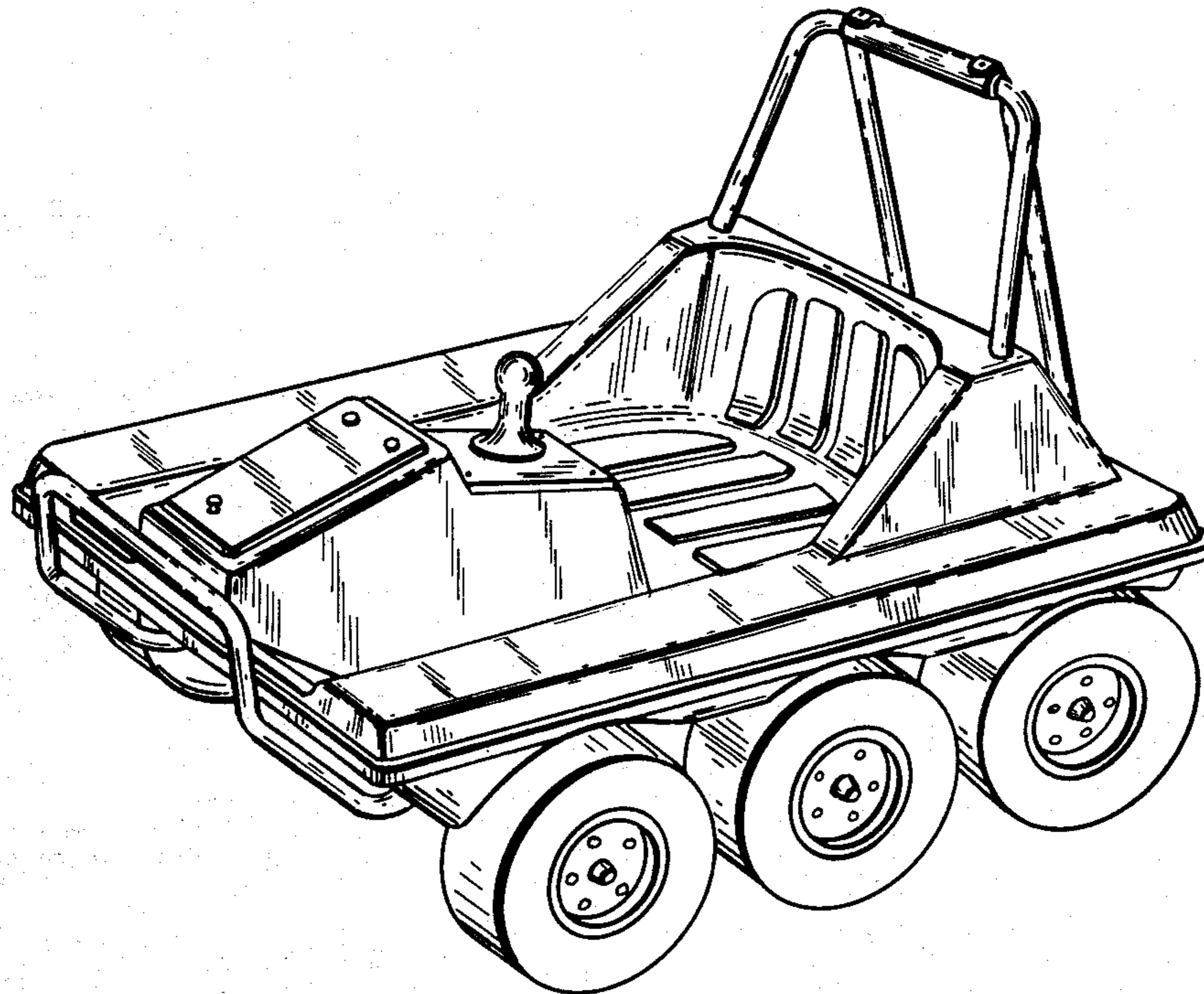
*Primary Examiner*—Charles A. Rademaker  
*Attorney, Agent, or Firm*—Cesari and McKenna

[57] **CLAIM**

The ornamental design for a riding toy, substantially as shown and described.

**DESCRIPTION**

FIG. 1 is a left side perspective view of a riding toy showing our new design;  
FIG. 2 is a top plan view thereof;  
FIG. 3 is a right side elevational view thereof;  
FIG. 4 is a bottom plan view thereof;  
FIG. 5 is a front elevational view thereof; and  
FIG. 6 is a rear elevational view thereof.



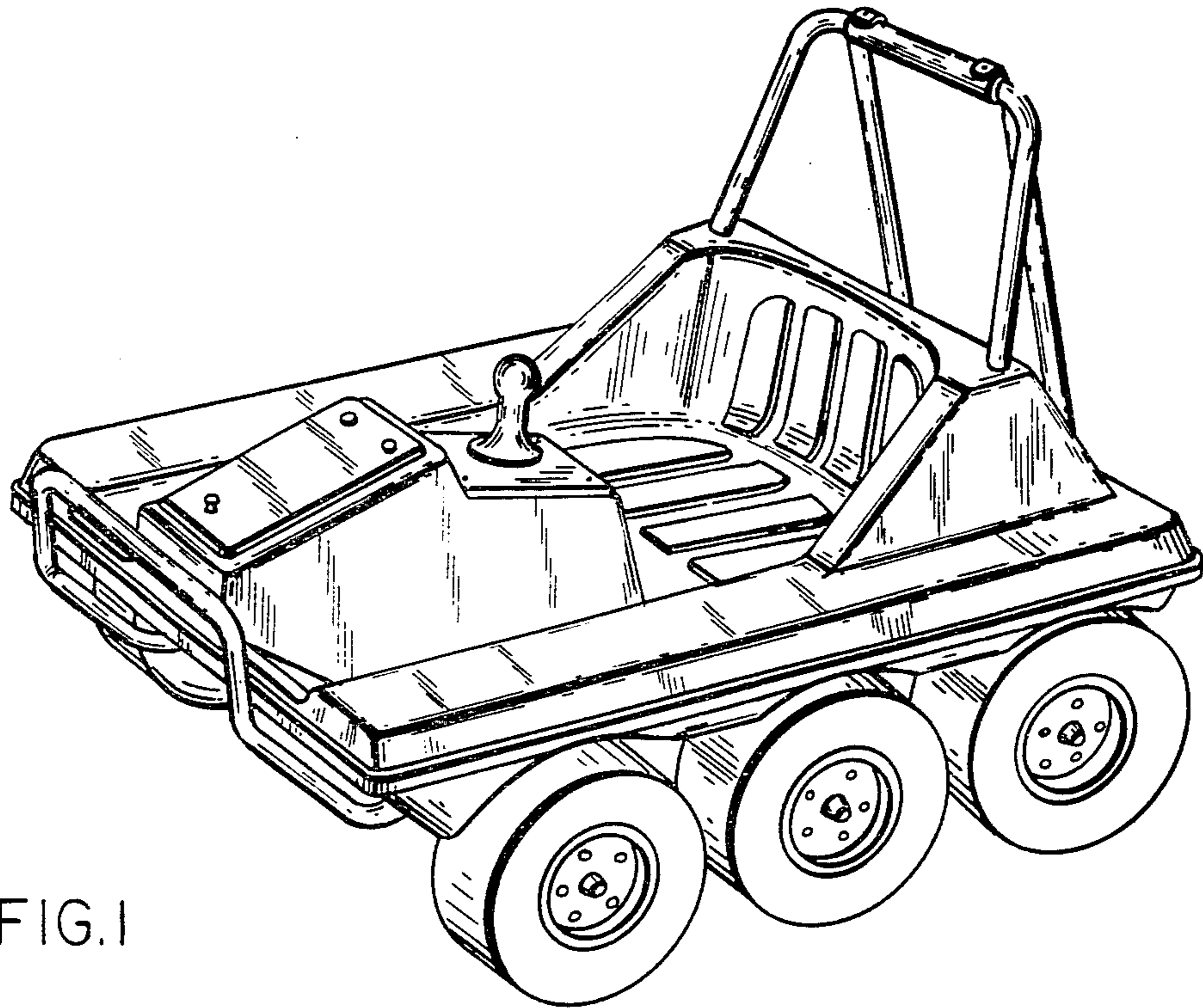


FIG. 1

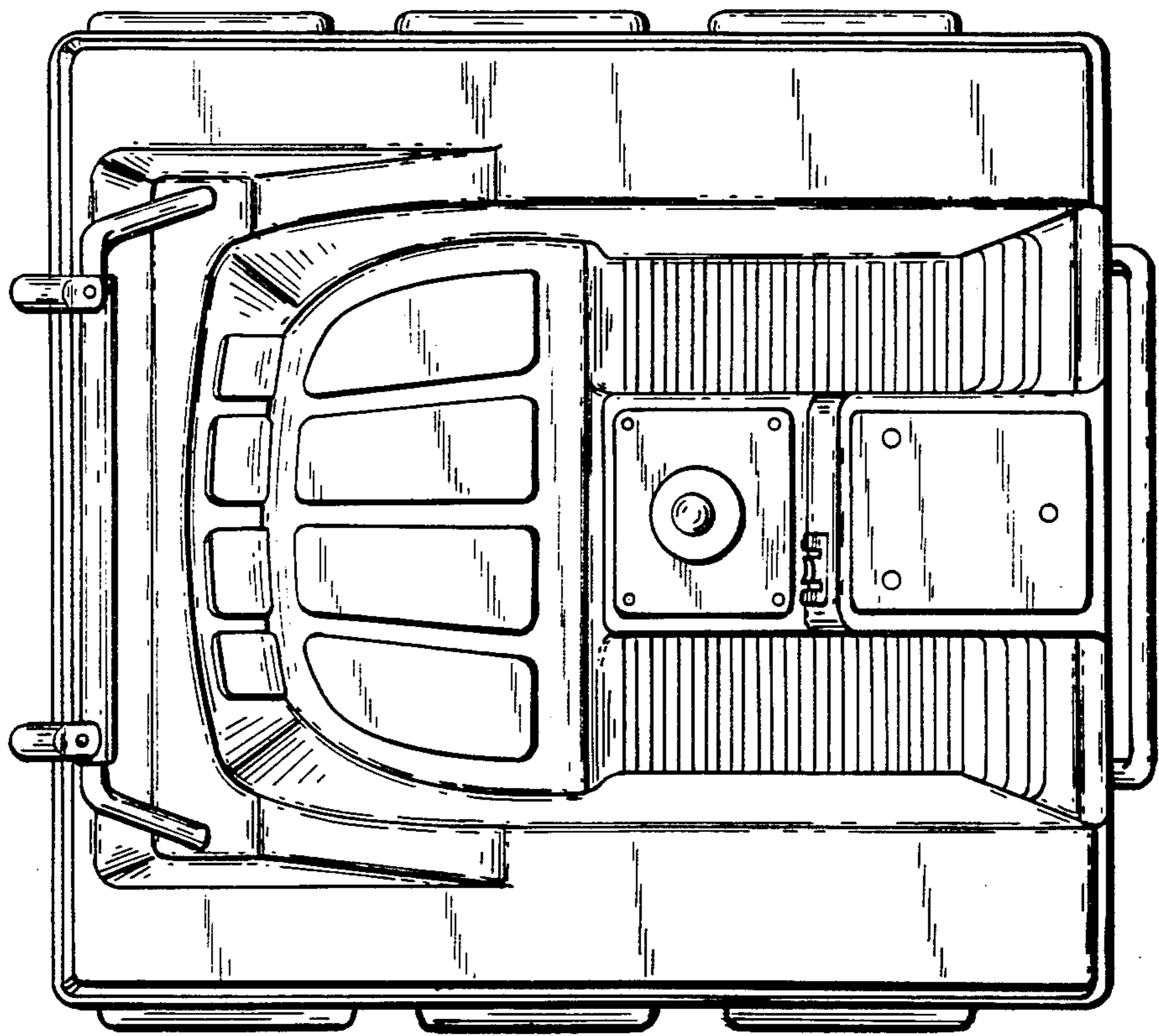


FIG. 2

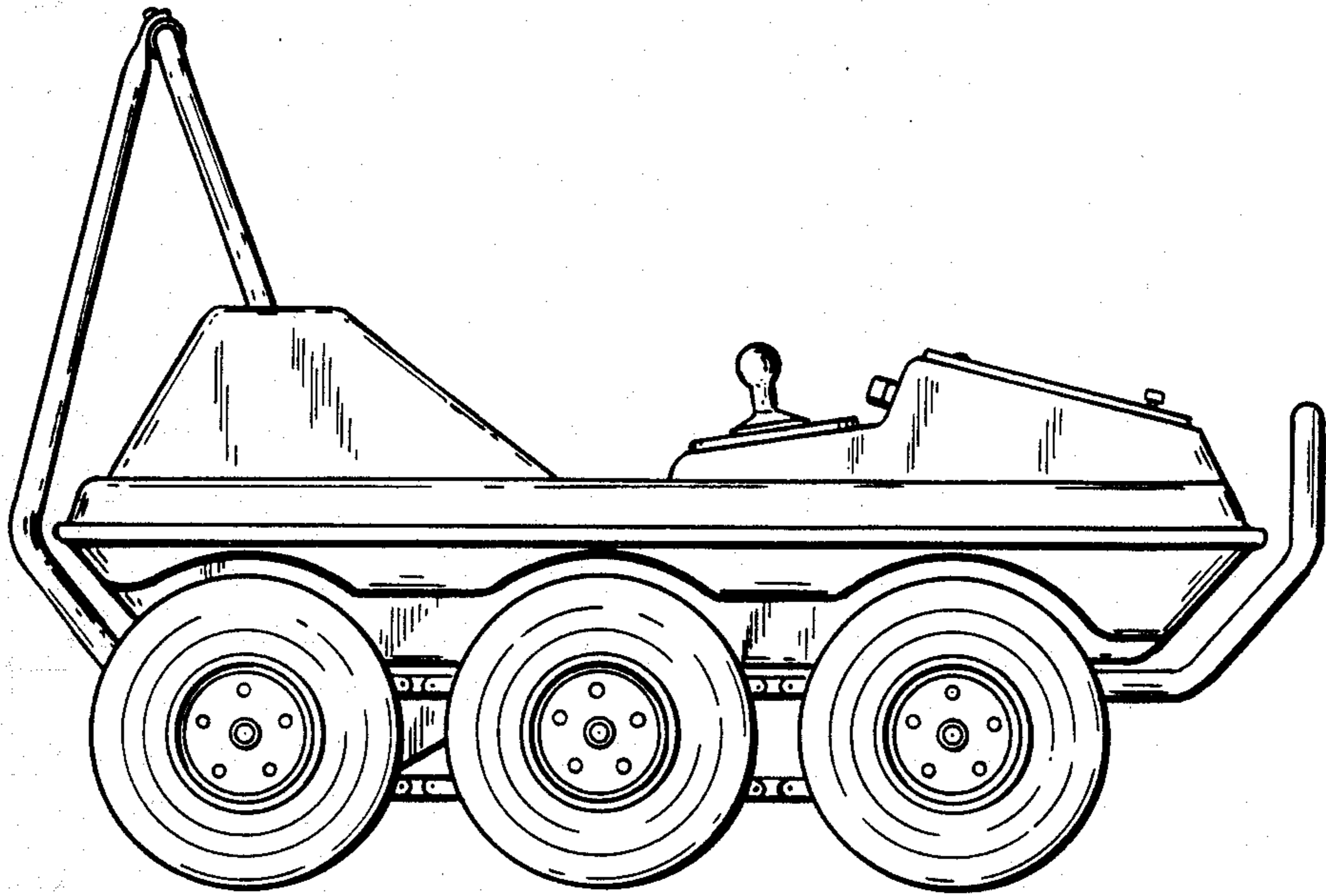


FIG. 3

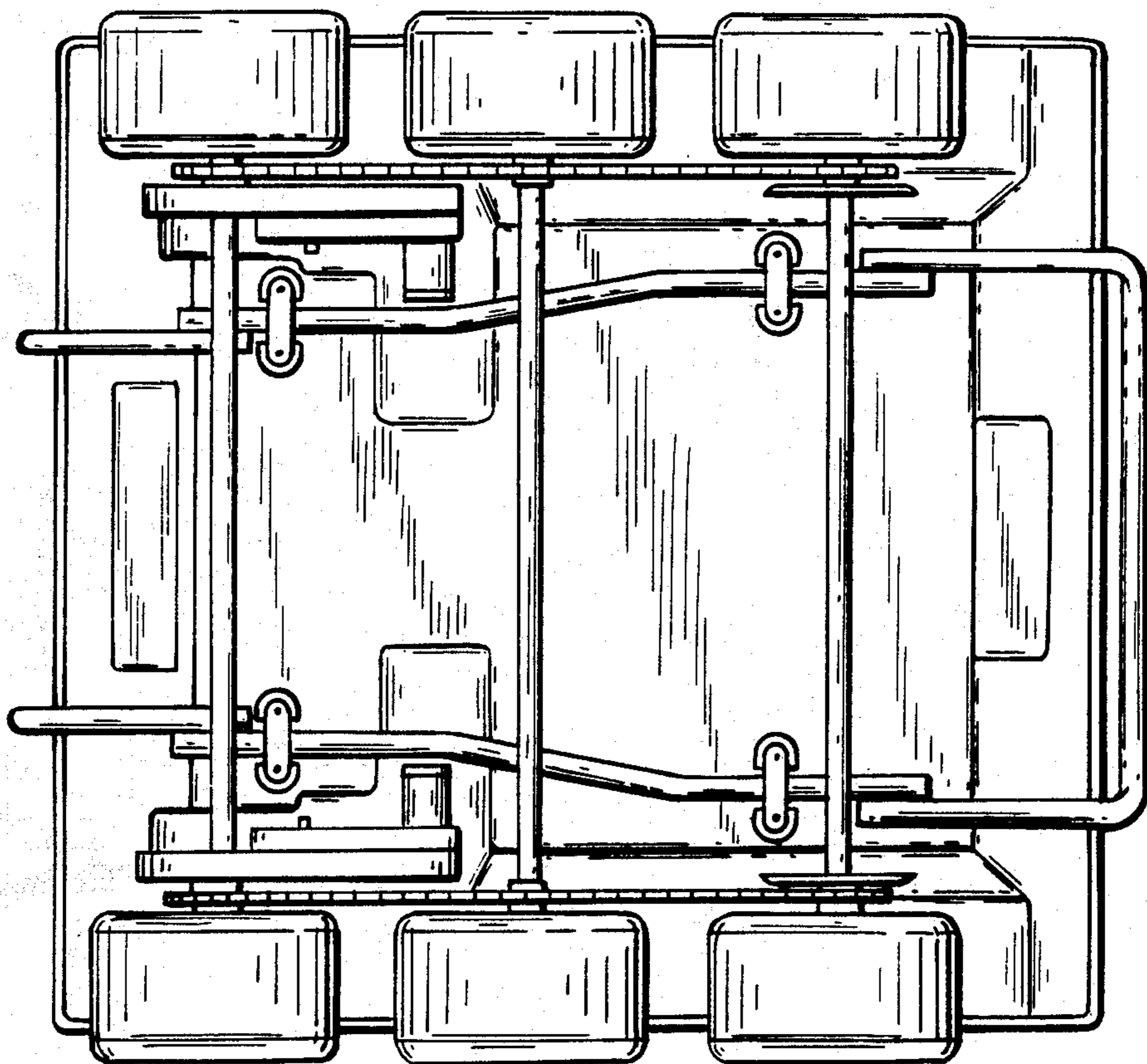


FIG. 4

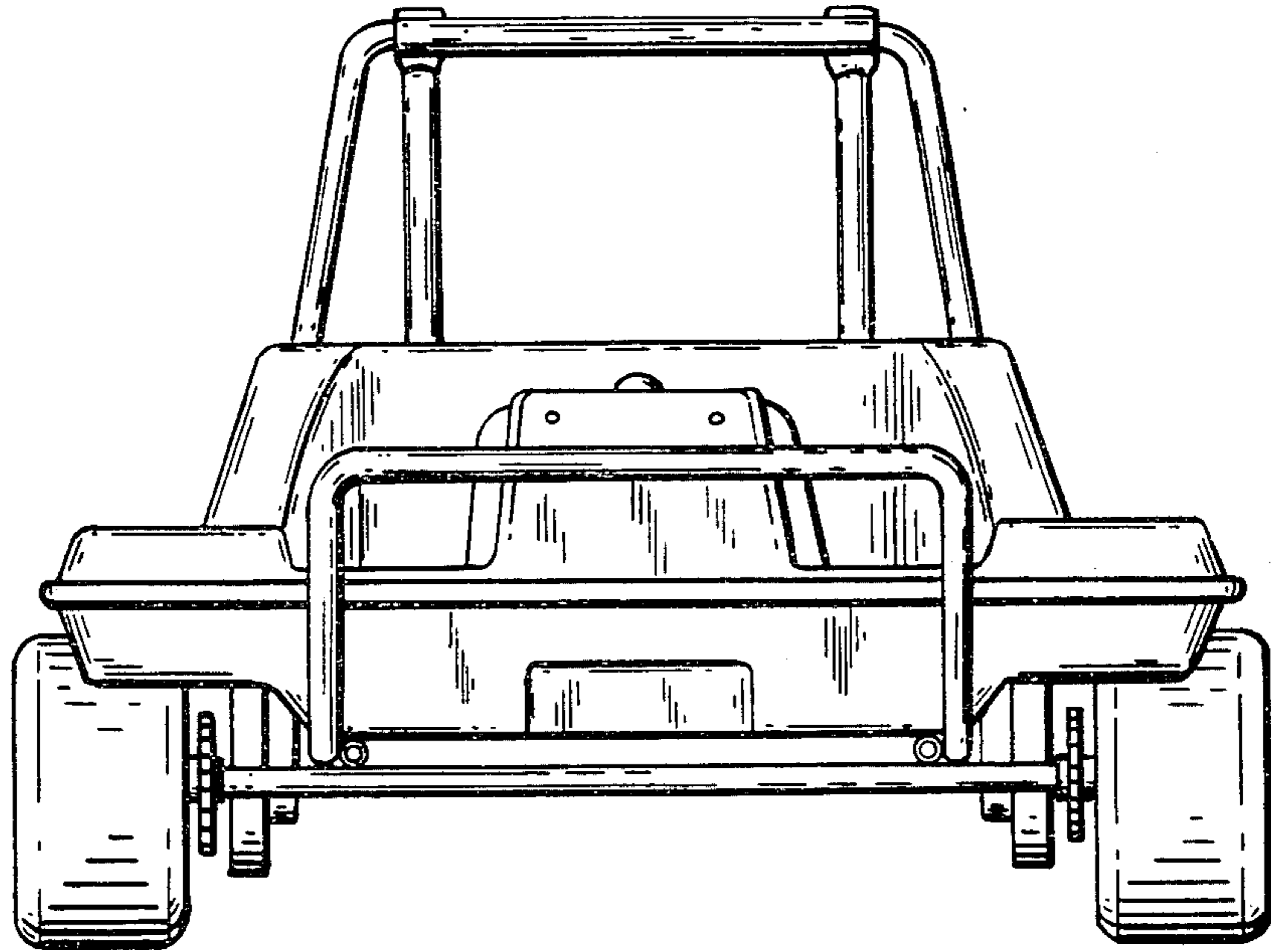


FIG. 5

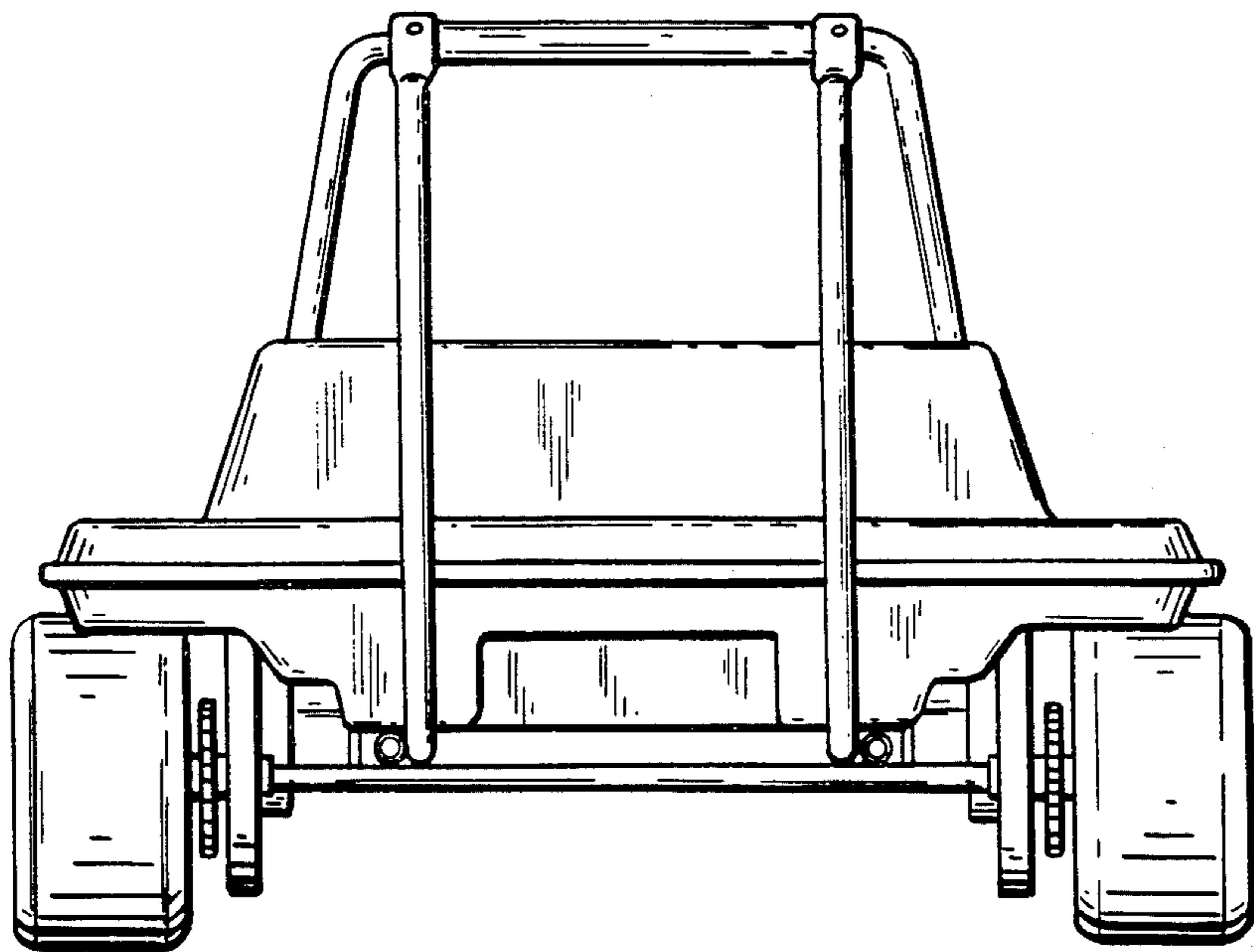


FIG. 6