

[54] TOY VEHICLE

[75] Inventor: Mark D. Boudreaux, Cincinnati, Ohio

[73] Assignee: CPC Products Corp., Minneapolis, Minn.

[**] Term: 14 Years

[21] Appl. No.: 553,908

[22] Filed: Nov. 21, 1983

[52] U.S. Cl. D21/128

[58] Field of Search D21/87, 88, 89, 128, D21/131, 134, 130; D12/319, 320, 321, 343; 446/451, 441, 431, 457, 465

[56] References Cited

U.S. PATENT DOCUMENTS

- D. 272,752 2/1984 Boudreaux D21/128
- D. 274,165 6/1984 Duennes D21/134

- D. 277,493 2/1985 McQuarrie D21/130
- D. 279,017 5/1985 Boudreaux D21/128
- 3,828,711 8/1974 Russell D21/130

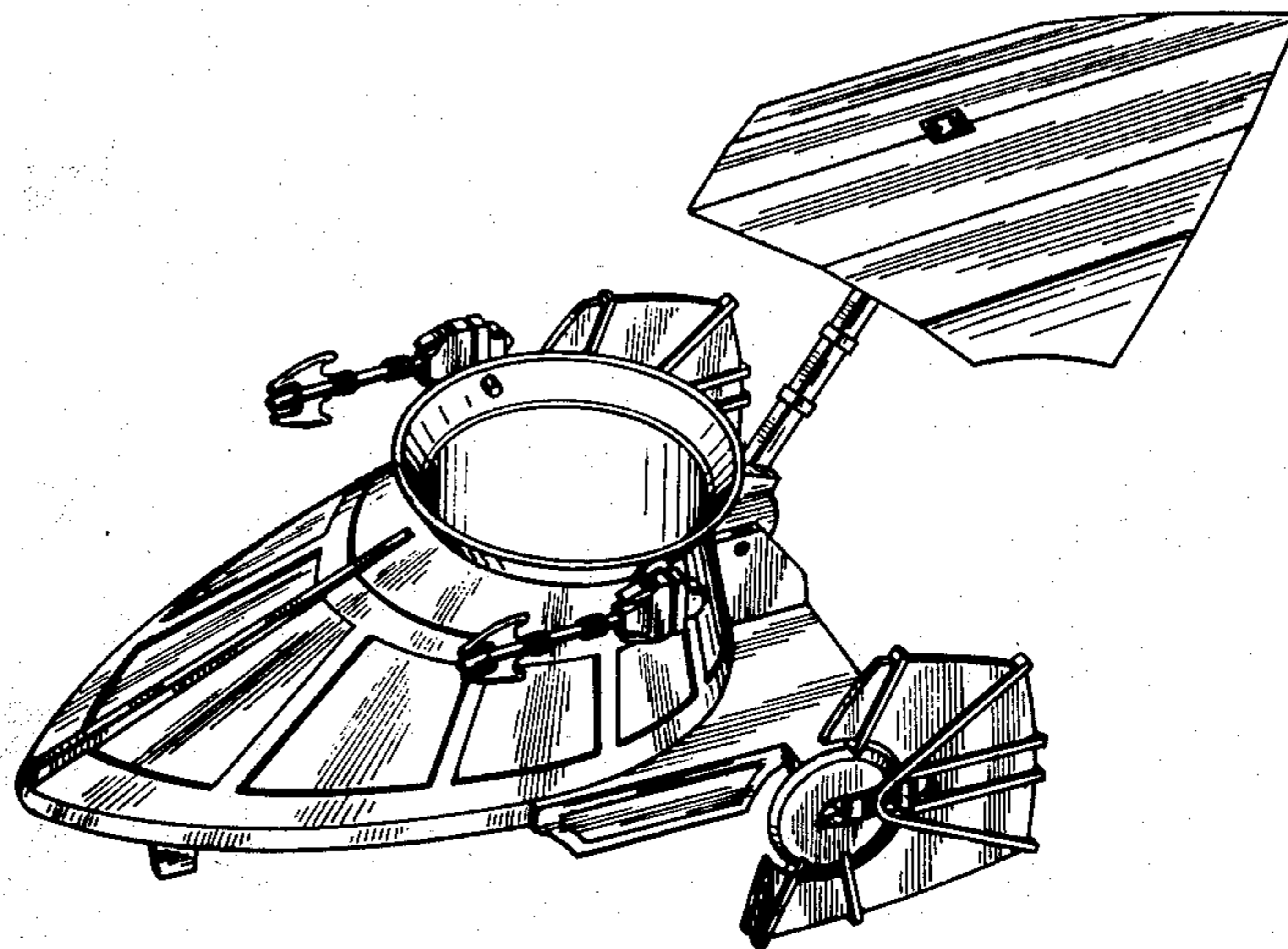
Primary Examiner—Charles A. Rademaker
Attorney, Agent, or Firm—L. McRoy Lillehaugen; G. O. Enockson

[57] CLAIM

The ornamental design for a toy vehicle, substantially as shown and described.

DESCRIPTION

FIG. 1 is a perspective view of a toy vehicle showing my new design;
 FIG. 2 is a side elevational view thereof, the side opposite being substantially a mirror image thereof;
 FIG. 3 is a front elevational view thereof;
 FIG. 4 is a rear elevational view thereof;
 FIG. 5 is a top plan view thereof; and
 FIG. 6 is a bottom plan view thereof.



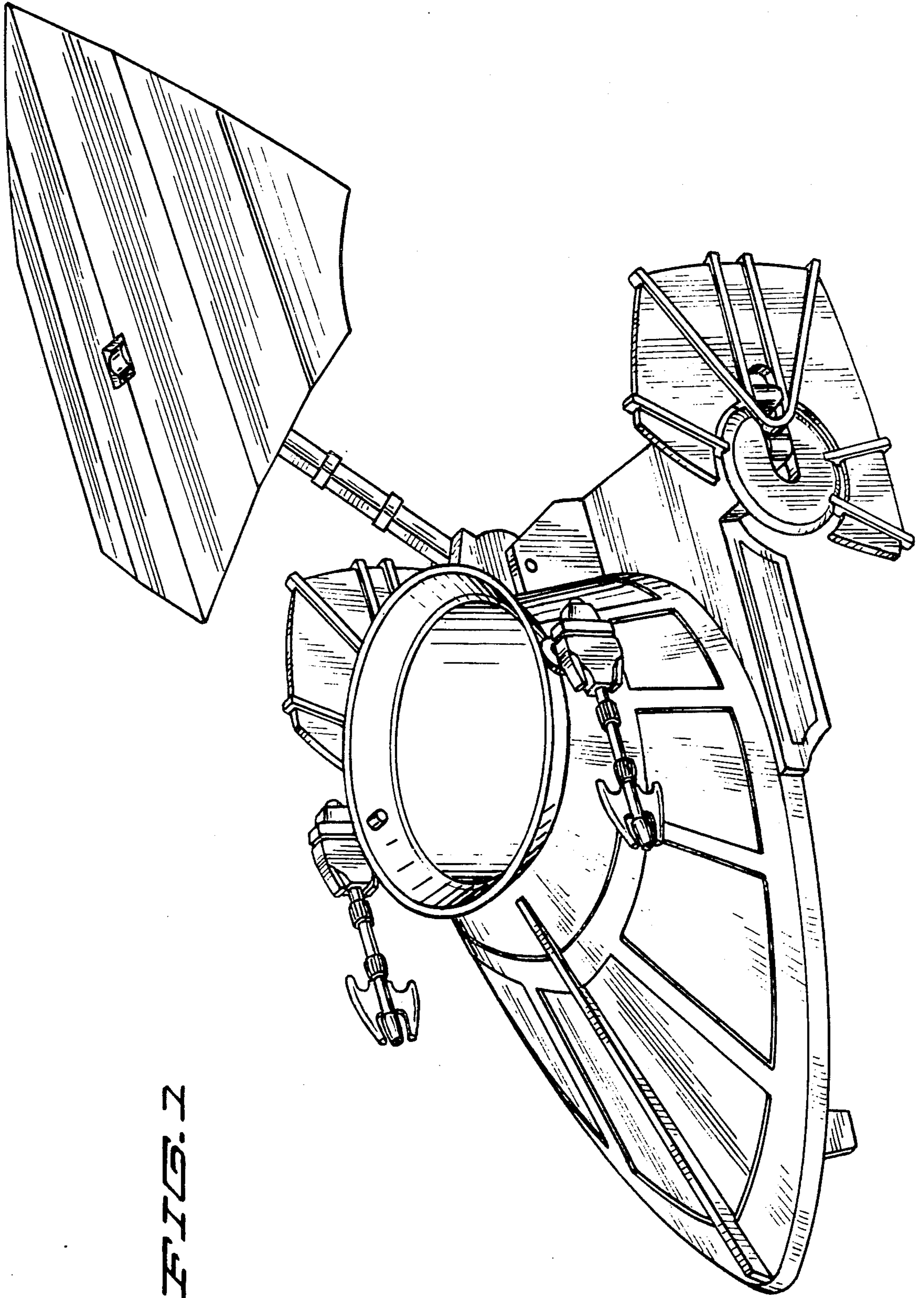


FIG. 1

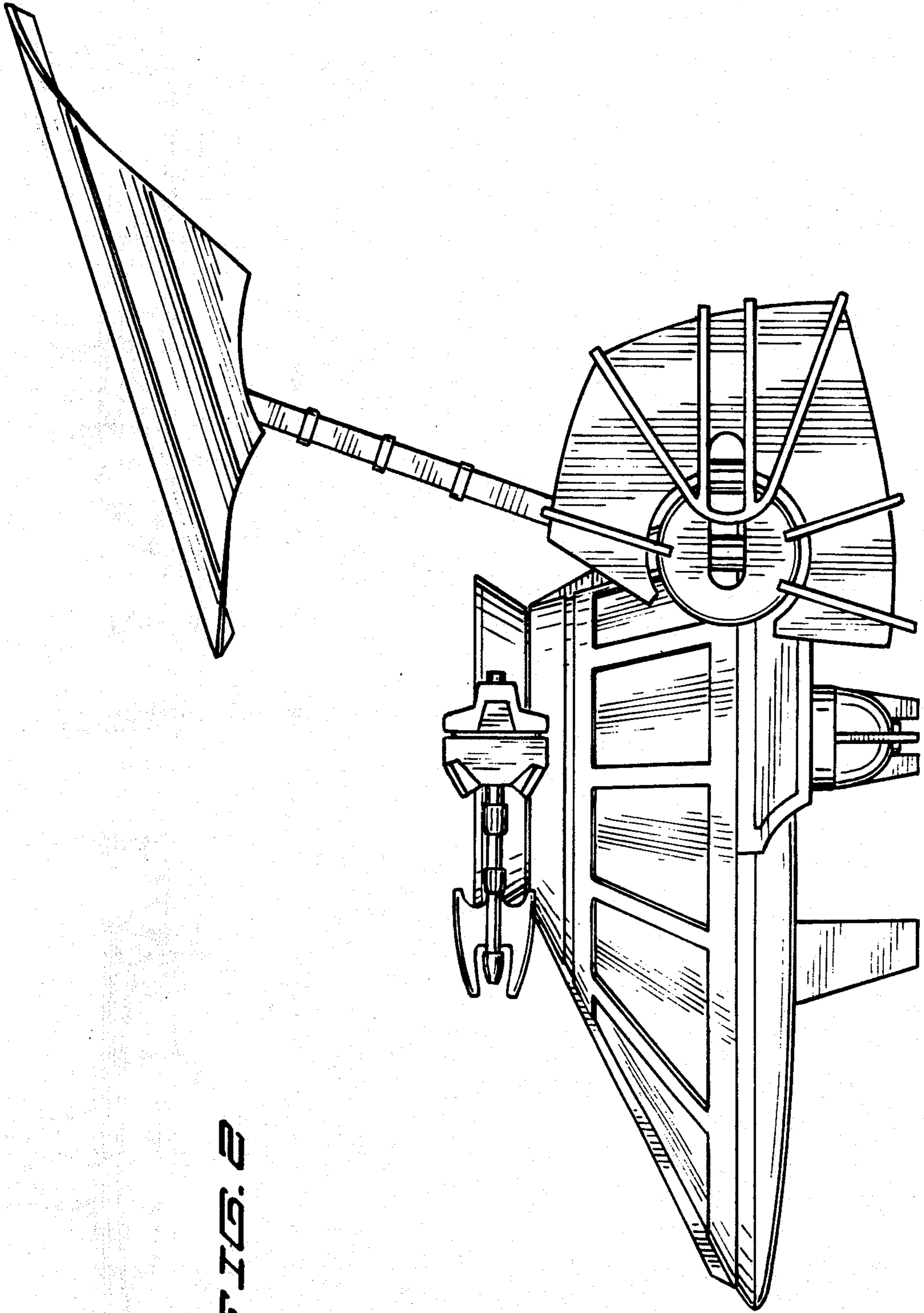


FIG. 2

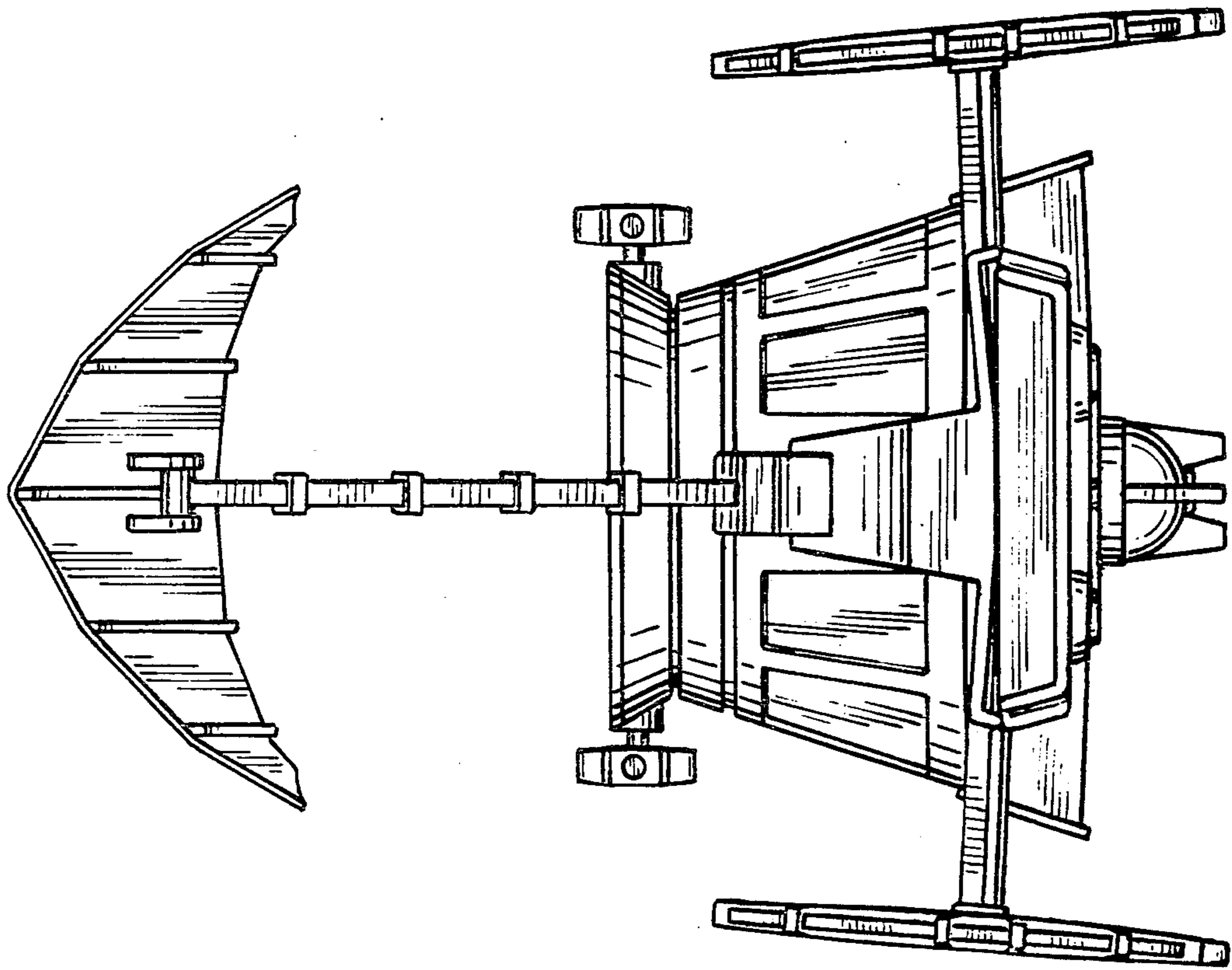


FIG. 8

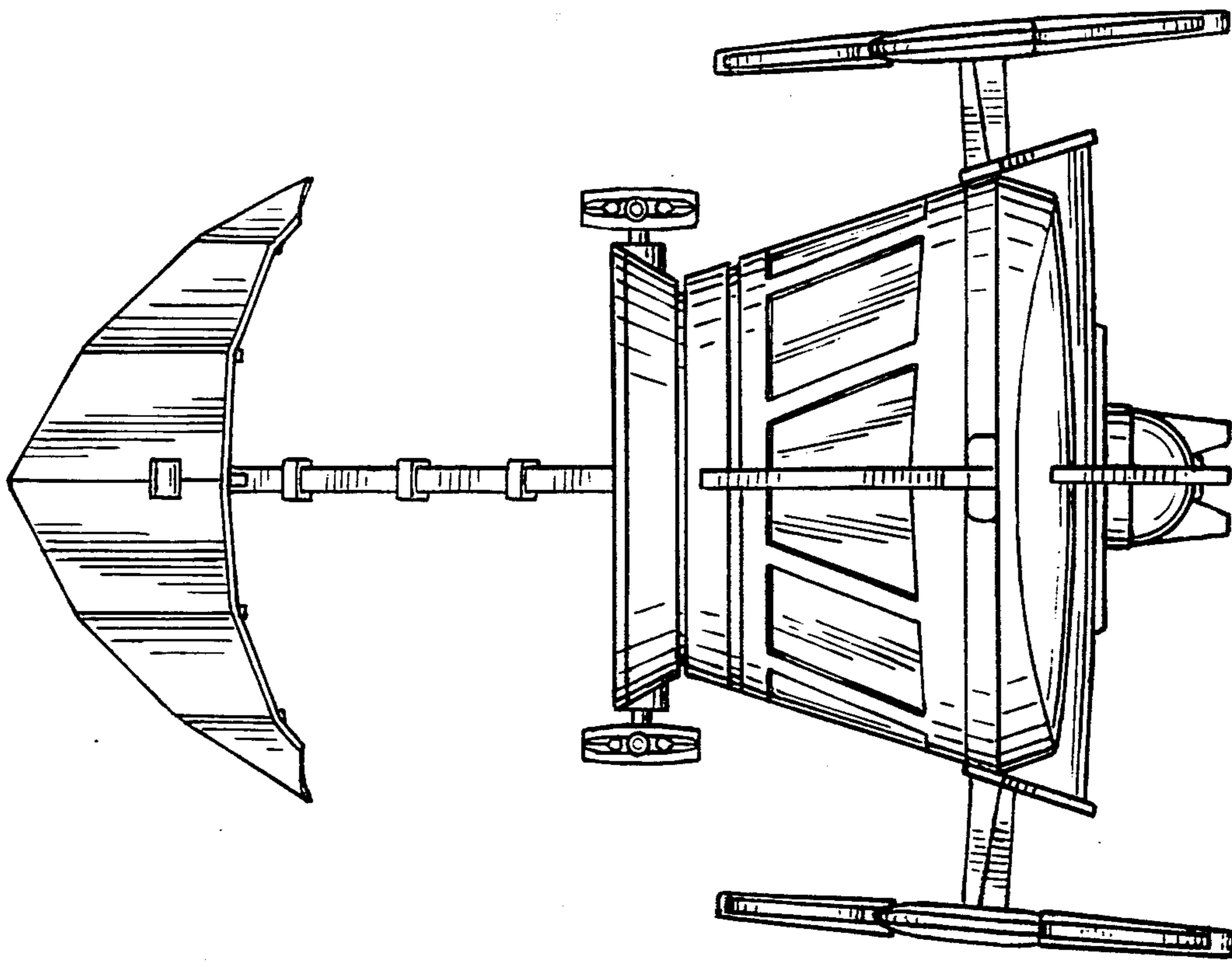


FIG. 9

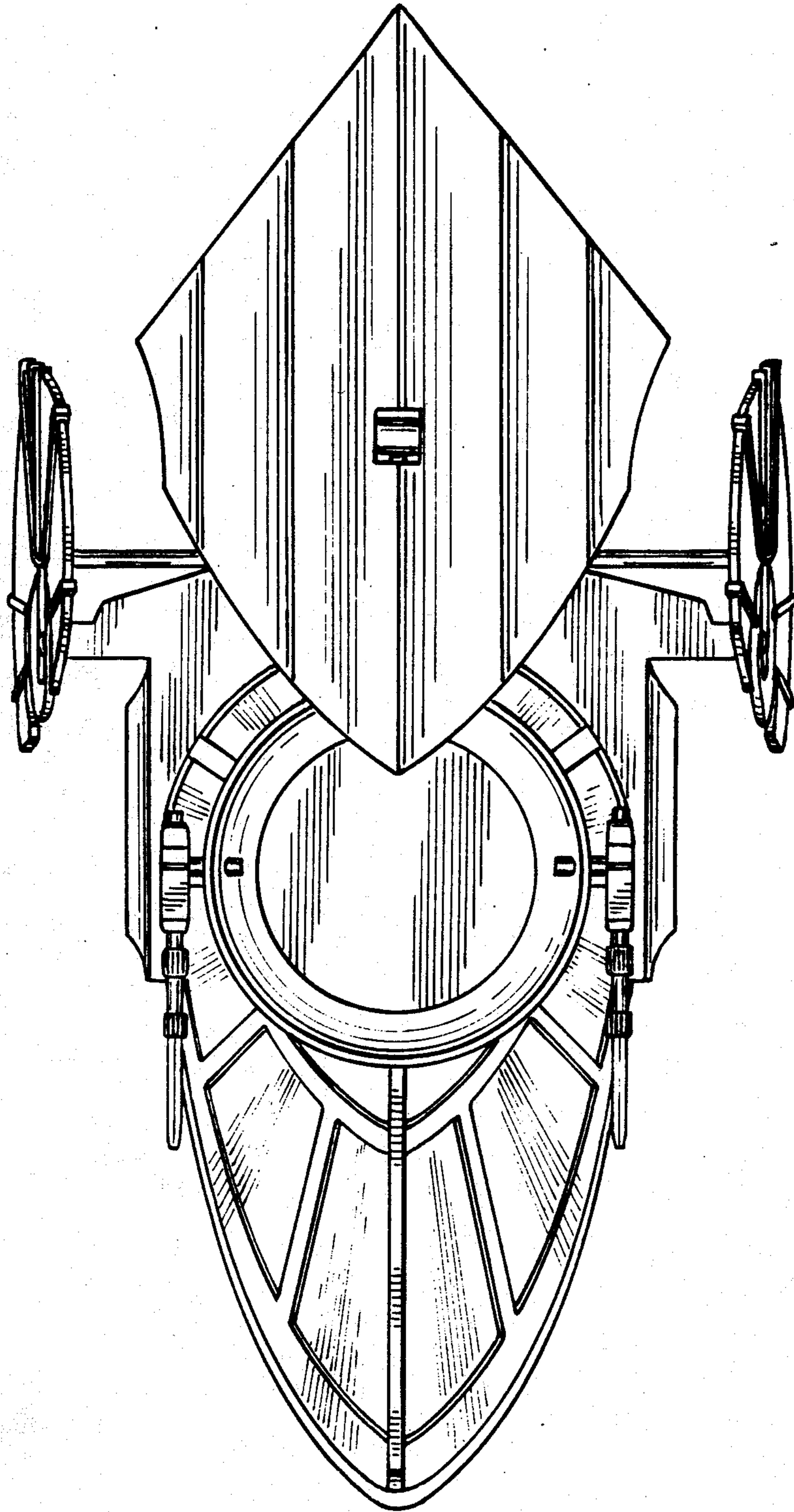


FIG. 5

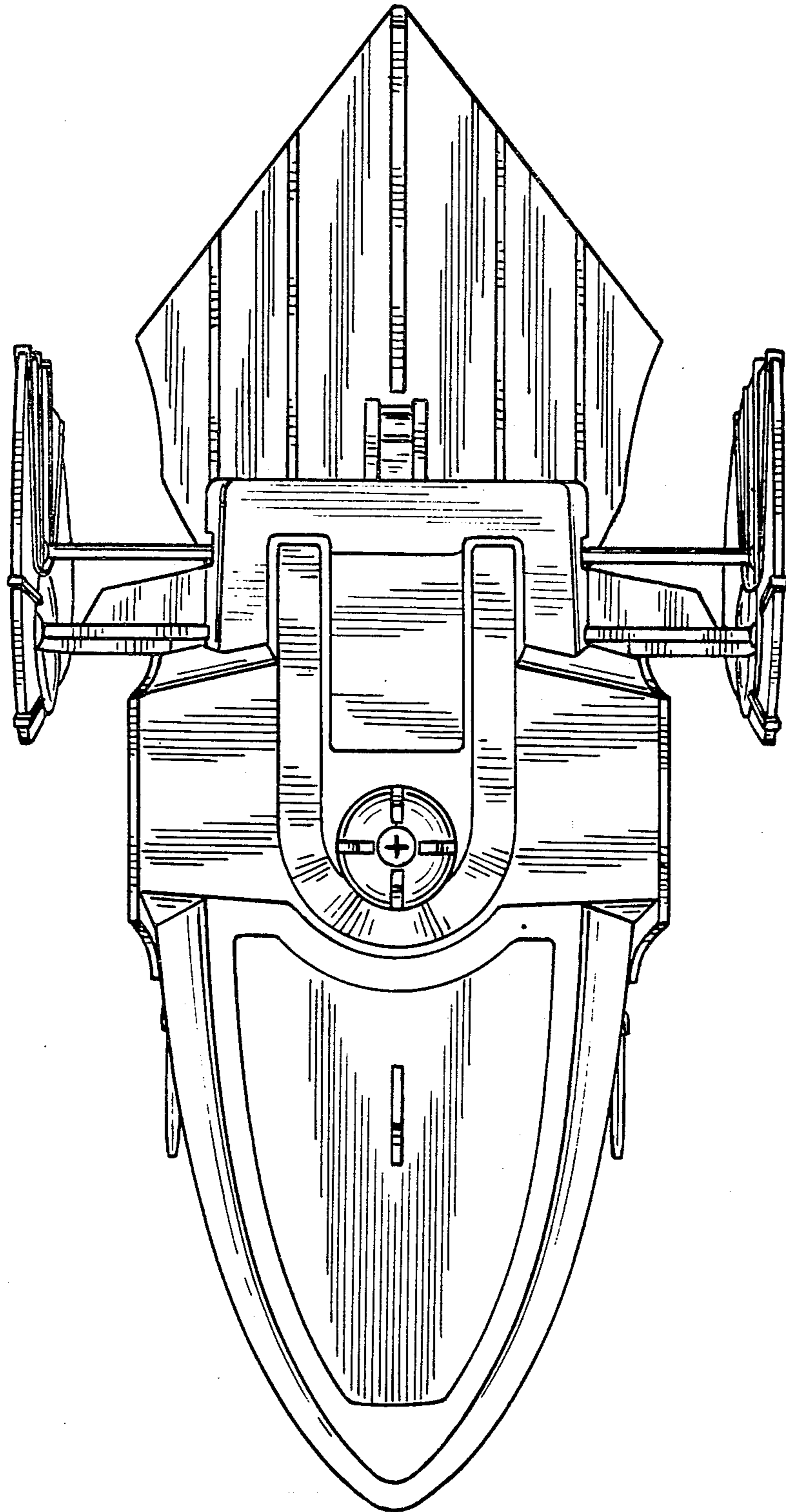


FIG. 5