

[54] PAINTING TOY

[75] Inventor: Masami Shiraishi, Tokyo, Japan

[73] Assignee: Tomy Kogyo Co., Inc., Tokyo, Japan

[**] Term: 14 Years

[21] Appl. No.: 516,930

[22] Filed: Jul. 25, 1983

[52] U.S. Cl. D21/59

[58] Field of Search D21/59, 63; D19/62; D3/76, 73, 53; 446/146; 434/258, 259, 261, 81, 85, 90

[56] References Cited

U.S. PATENT DOCUMENTS

- D. 236,141 7/1975 Snyder D21/111
- D. 262,899 2/1982 Kroll D21/59
- 4,139,965 2/1979 Curry et al. D21/59

OTHER PUBLICATIONS

Hong Kong Toy Catalog, 1983, p. 374, Item #6498W, Drawing Toy.

Hong Kong Toy Catalog, 1983, p. 363, "Talking Computer".

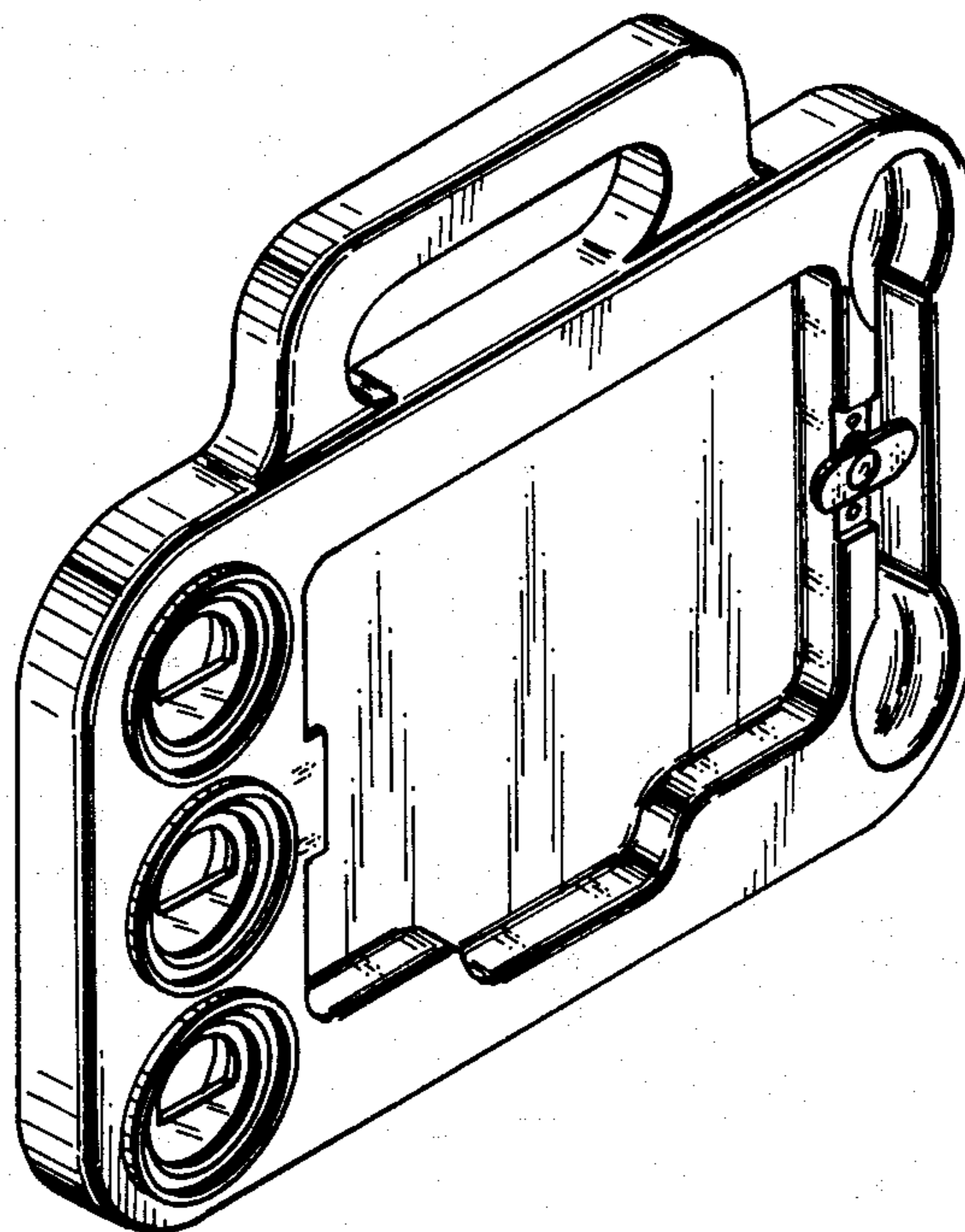
Primary Examiner—Charles A. Rademaker
Attorney, Agent, or Firm—K. H. Boswell

[57] CLAIM

The ornamental design for a painting toy, substantially as shown and described.

DESCRIPTION

- FIG. 1 is a perspective view of a painting toy showing my new design;
- FIG. 2 is a front elevational view thereof;
- FIG. 3 is a top plan view thereof;
- FIG. 4 is a right side elevational view thereof;
- FIG. 5 is a left side elevational view thereof;
- FIG. 6 is a bottom plan view thereof;
- FIG. 7 is a rear elevational view thereof.



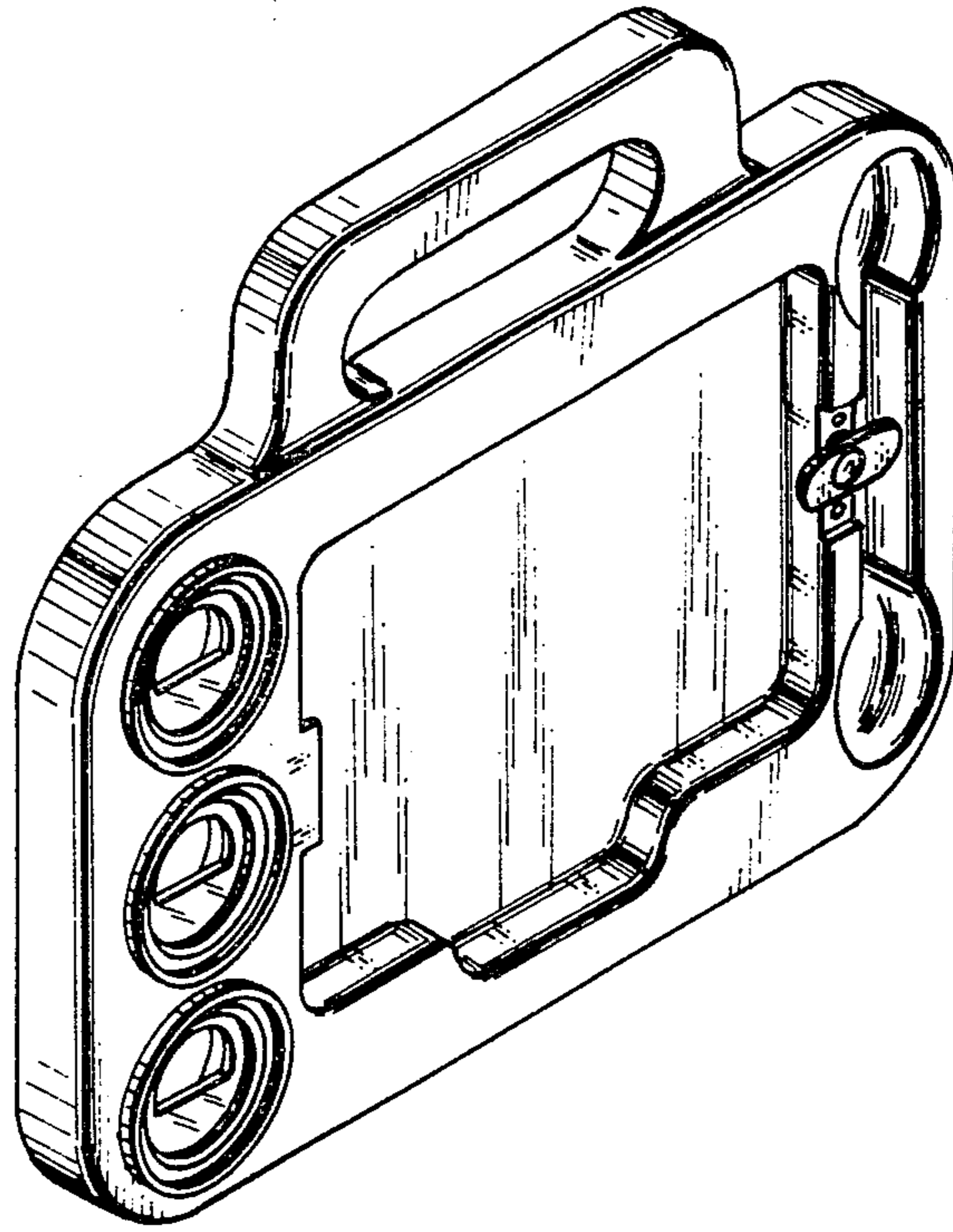


Fig. 1

Fig. 5

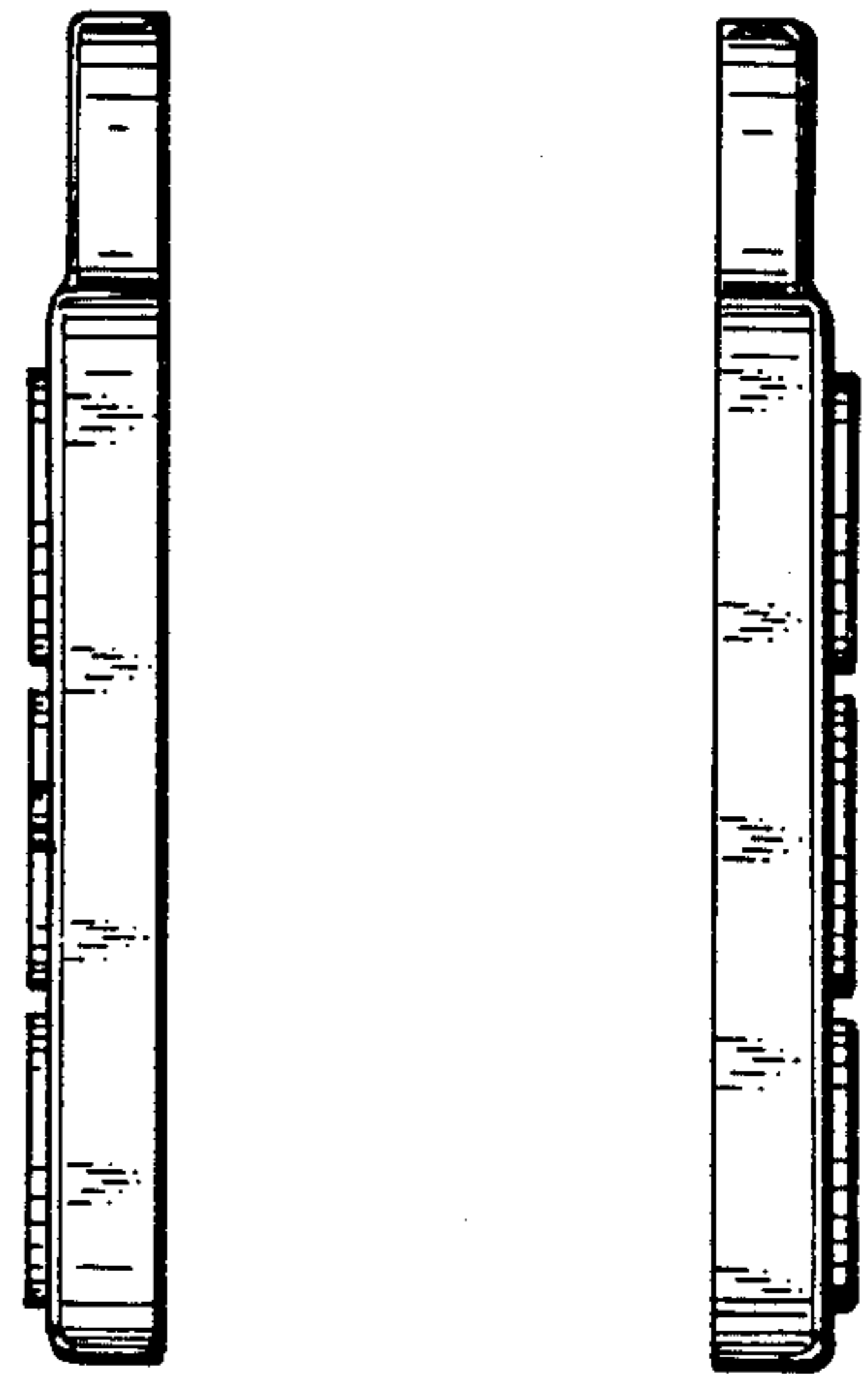
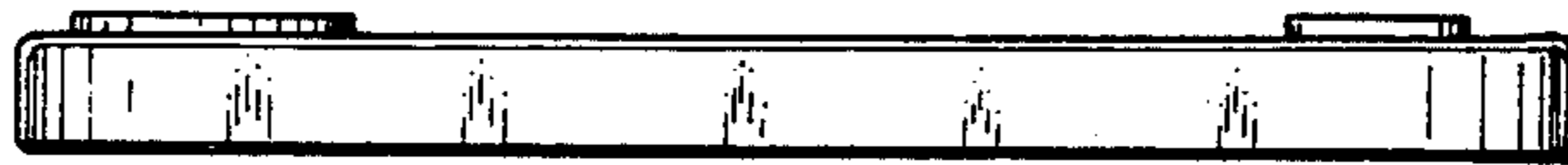


Fig. 4

Fig. 6



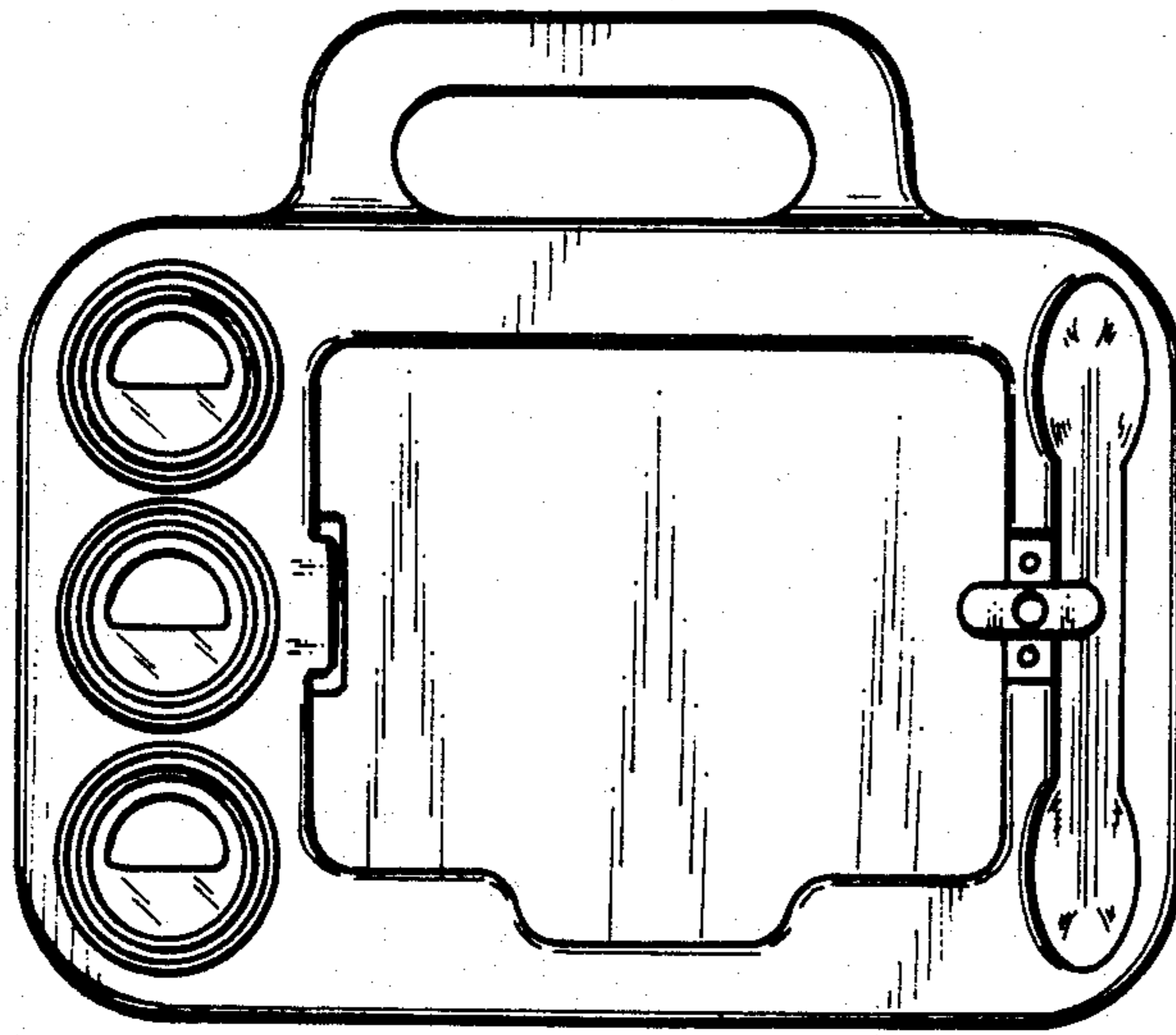


Fig. 2

Fig. 3

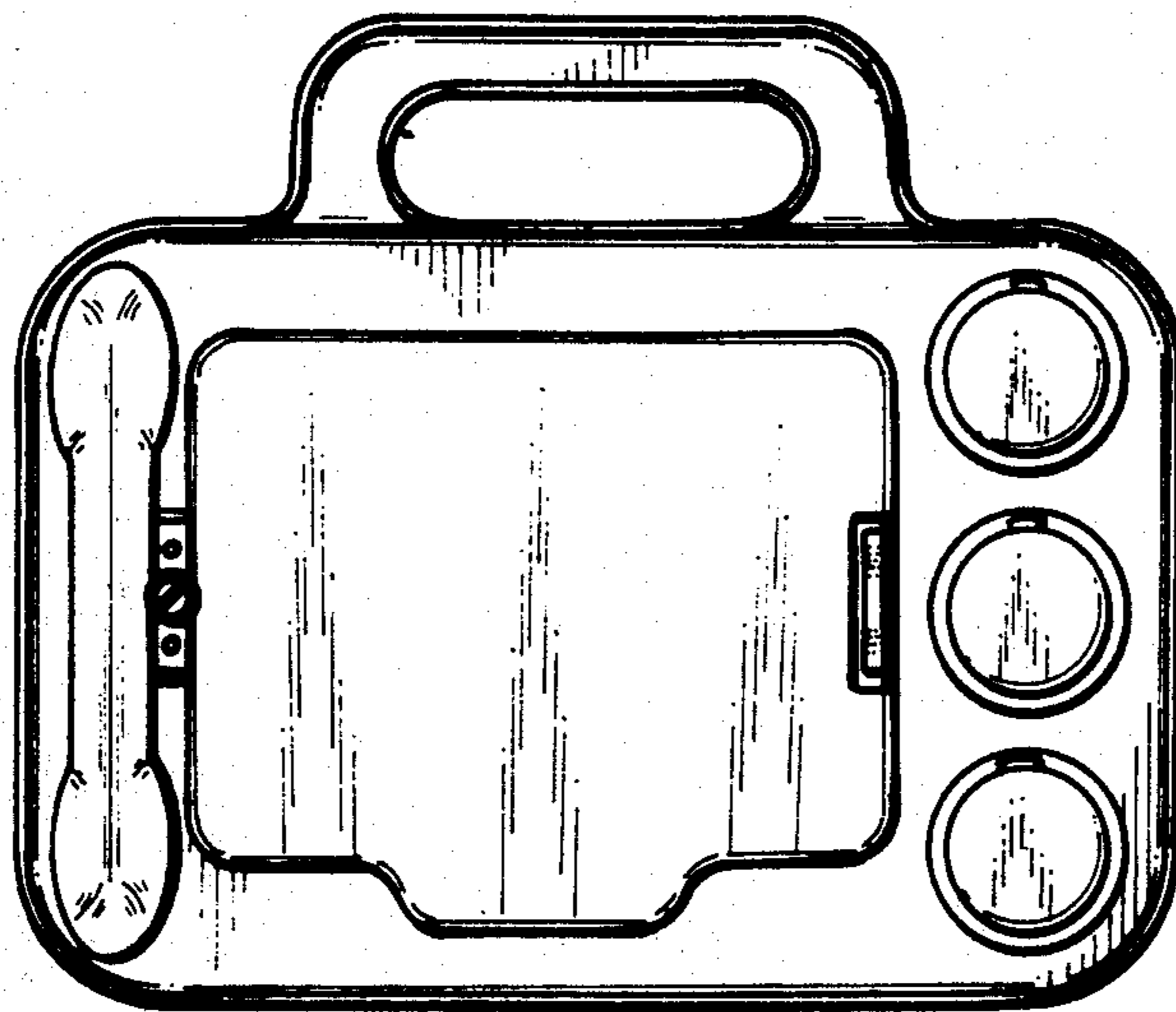


Fig. 7