

[54] **HYDRAULIC PRESS**

[75] **Inventor: Miroslav Uroshevich, Cincinnati, Ohio**

[73] **Assignee: Cincinnati Incorporated, Harrison, Ohio**

[*] **Notice: The portion of the term of this patent subsequent to Sep. 3, 1999 has been disclaimed.**

[**] **Term: 14 Years**

[21] **Appl. No.: 491,912**

[22] **Filed: May 5, 1983**

[52] **U.S. Cl. D15/123**

[58] **Field of Search D15/123; 100/231, 269 R**

[56] **References Cited**

U.S. PATENT DOCUMENTS

D. 179,814	3/1957	Munschauer	D15/123
D. 255,575	6/1980	Pearson	D15/123
2,512,246	6/1950	Fishburne	100/231
2,769,389	11/1956	Wissman	100/231
4,018,150	4/1977	Shlokawa	100/269 R

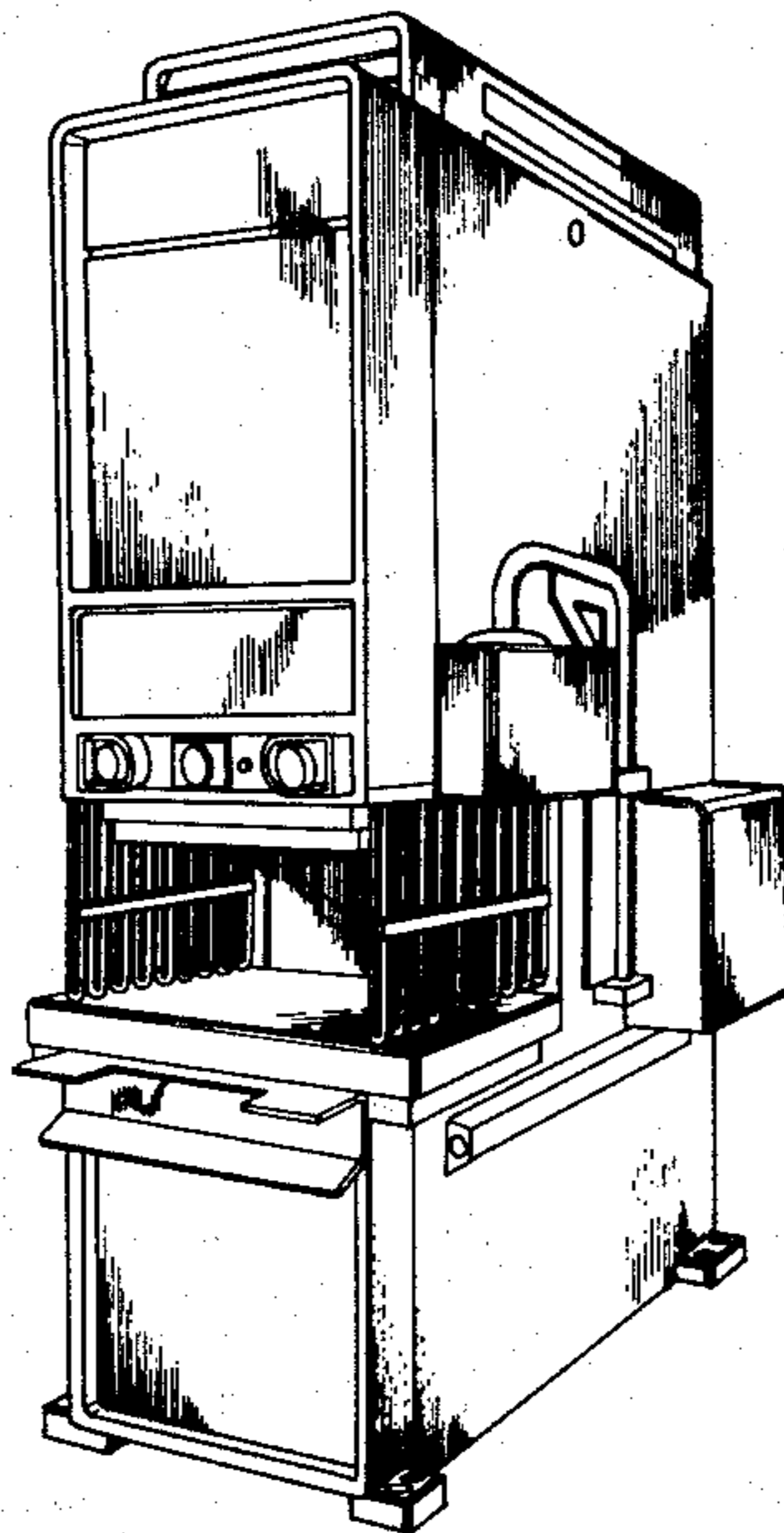
Primary Examiner—B. J. Bullock
Attorney, Agent, or Firm—Frost & Jacobs

[57] **CLAIM**

The ornamental design for a hydraulic press, as shown.

DESCRIPTION

FIG. 1 is a perspective view of the hydraulic press showing my new design;
FIG. 2 is a front elevational view;
FIG. 3 is a left side elevational view;
FIG. 4 is a right side elevational view;
FIG. 5 is a rear elevational view thereof; and
FIG. 6 is a top plane view thereof.



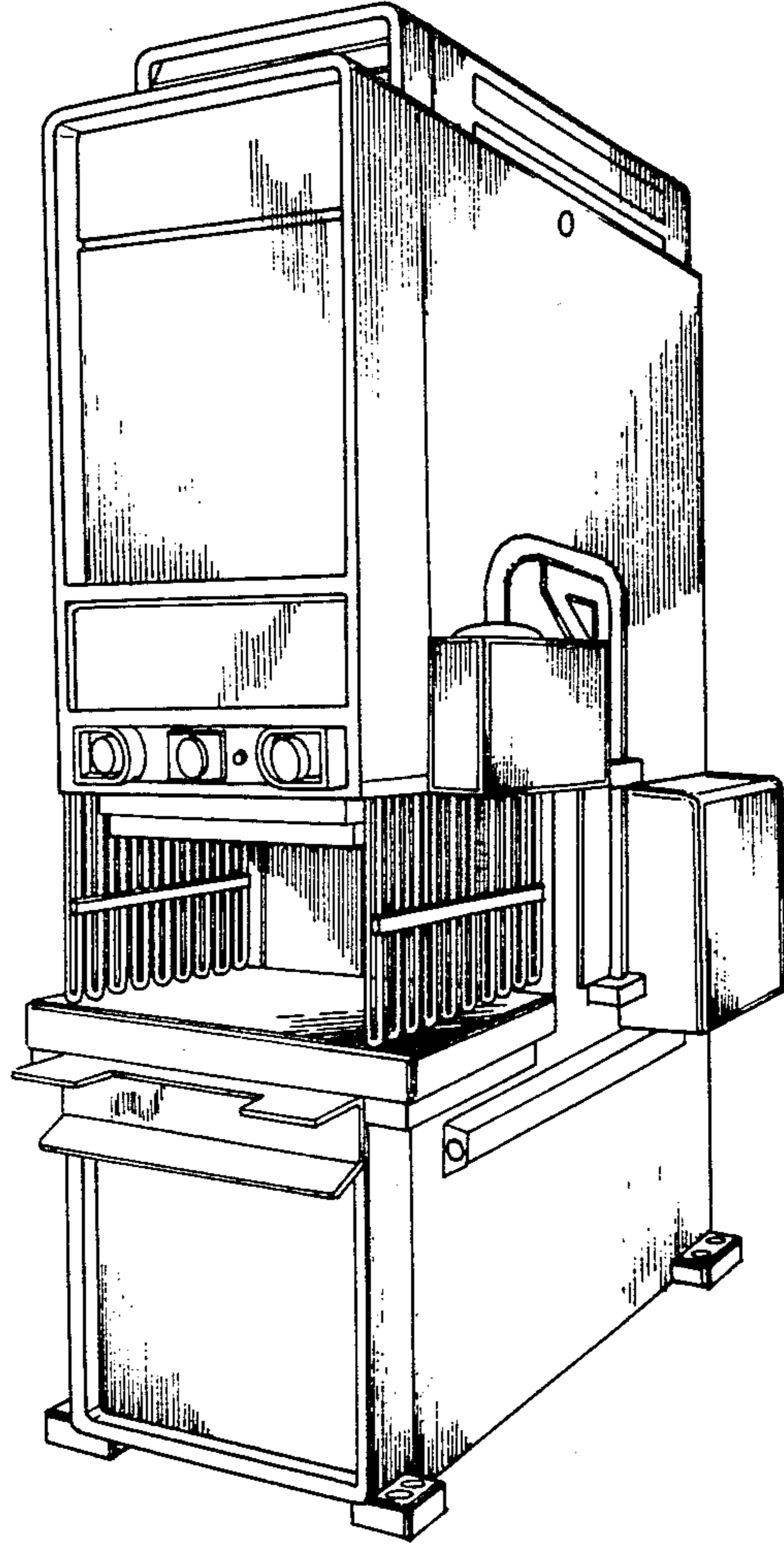


FIG. 1

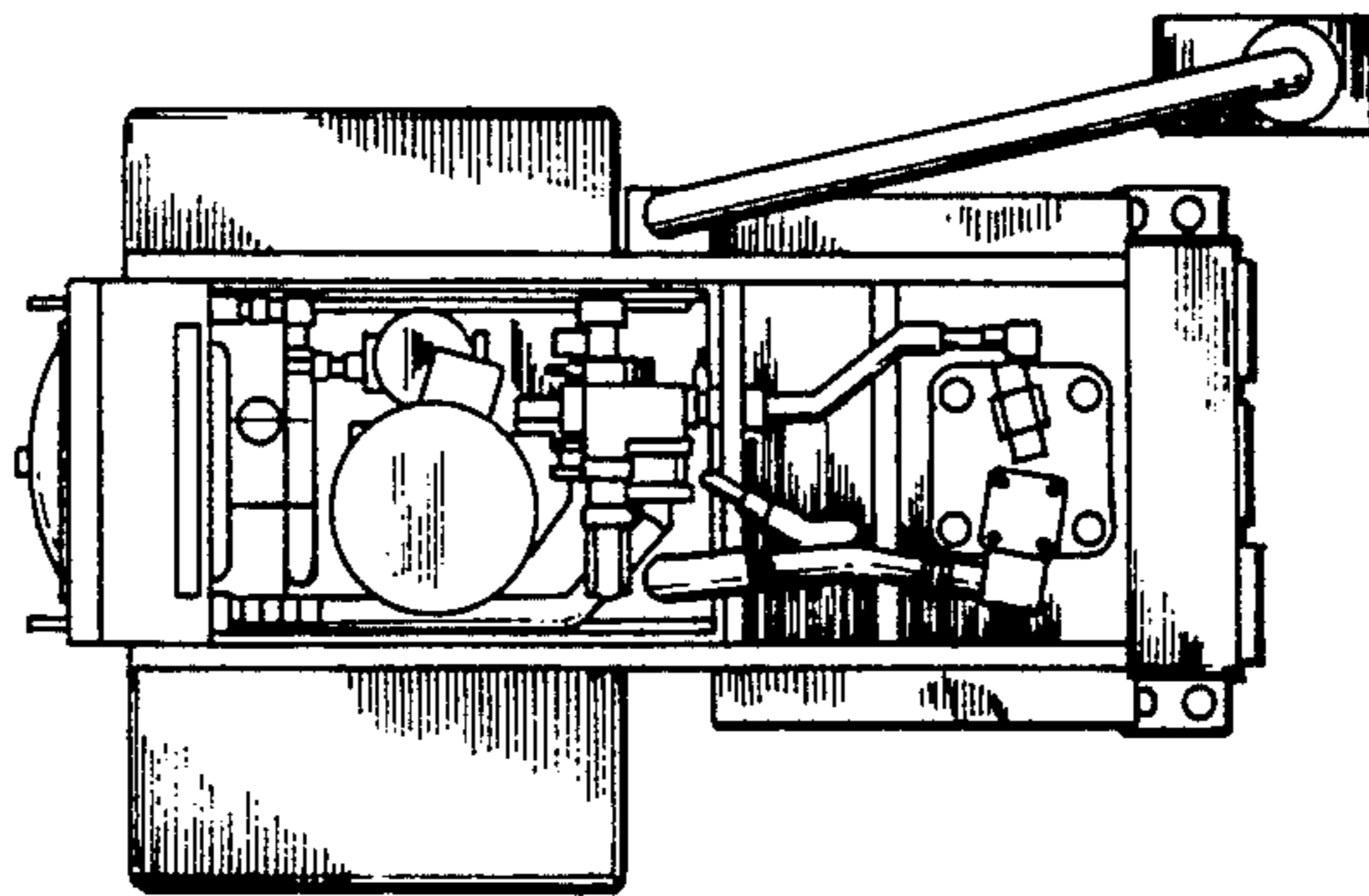


FIG. 6

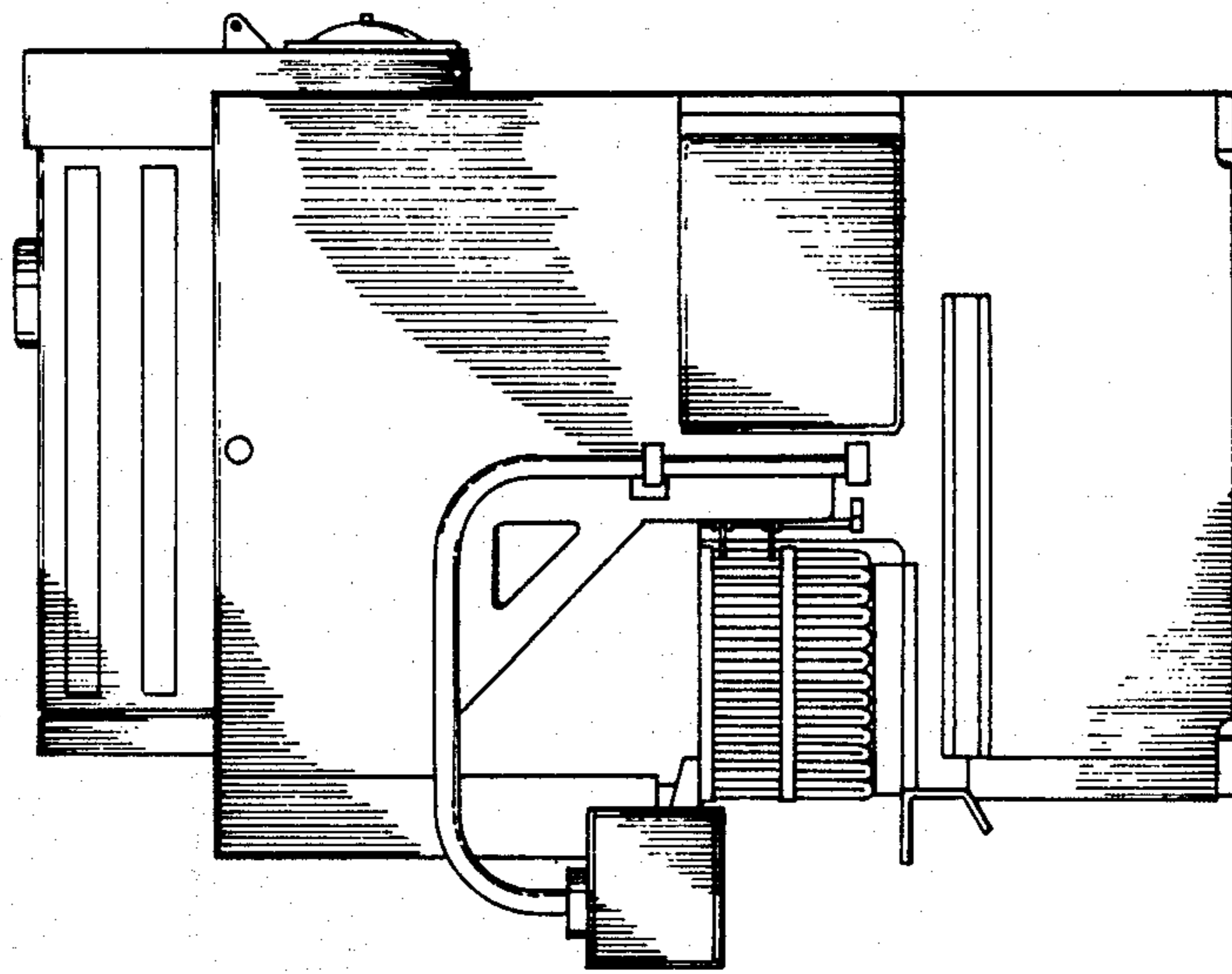


FIG. 4

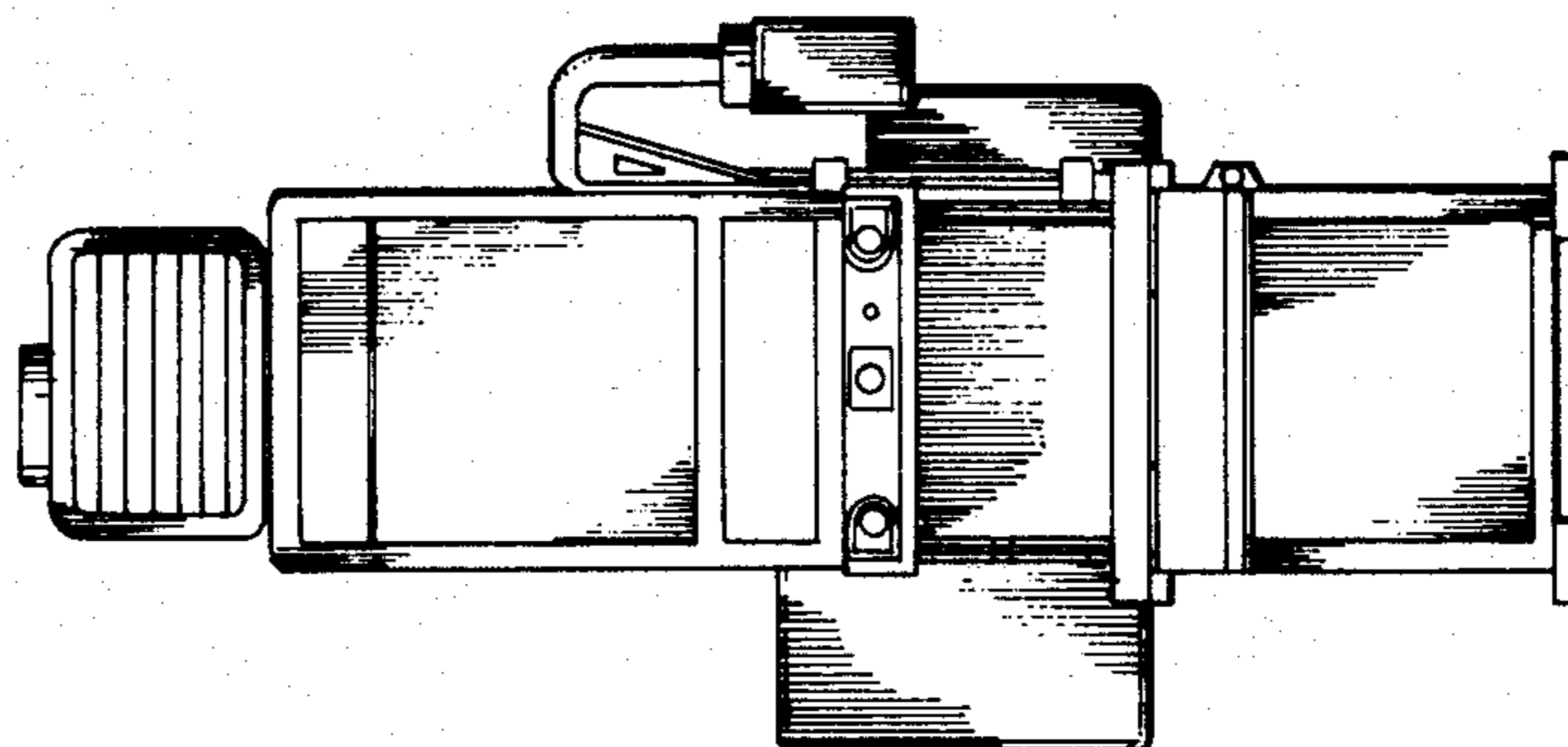


FIG. 2

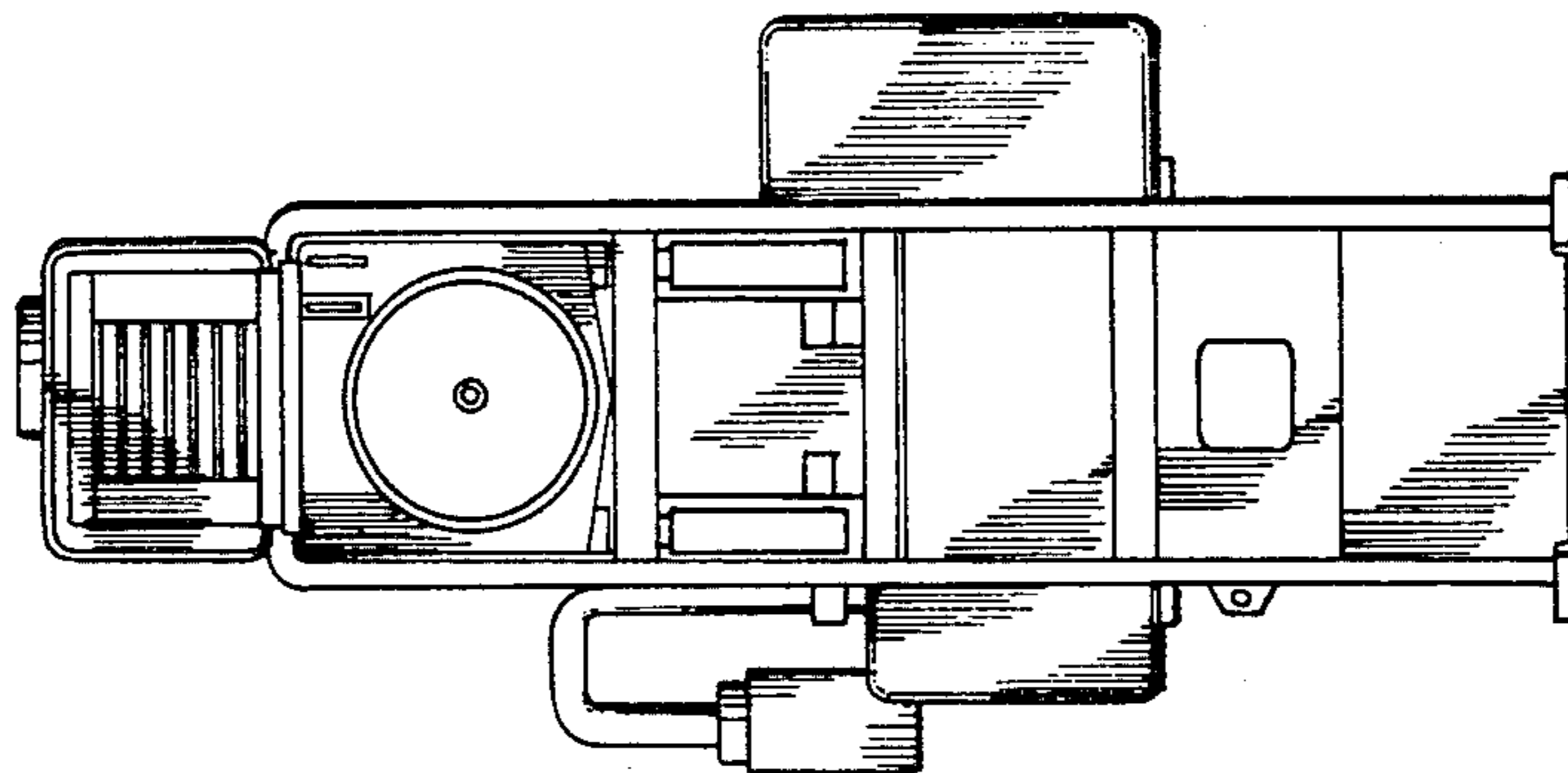


FIG. 5

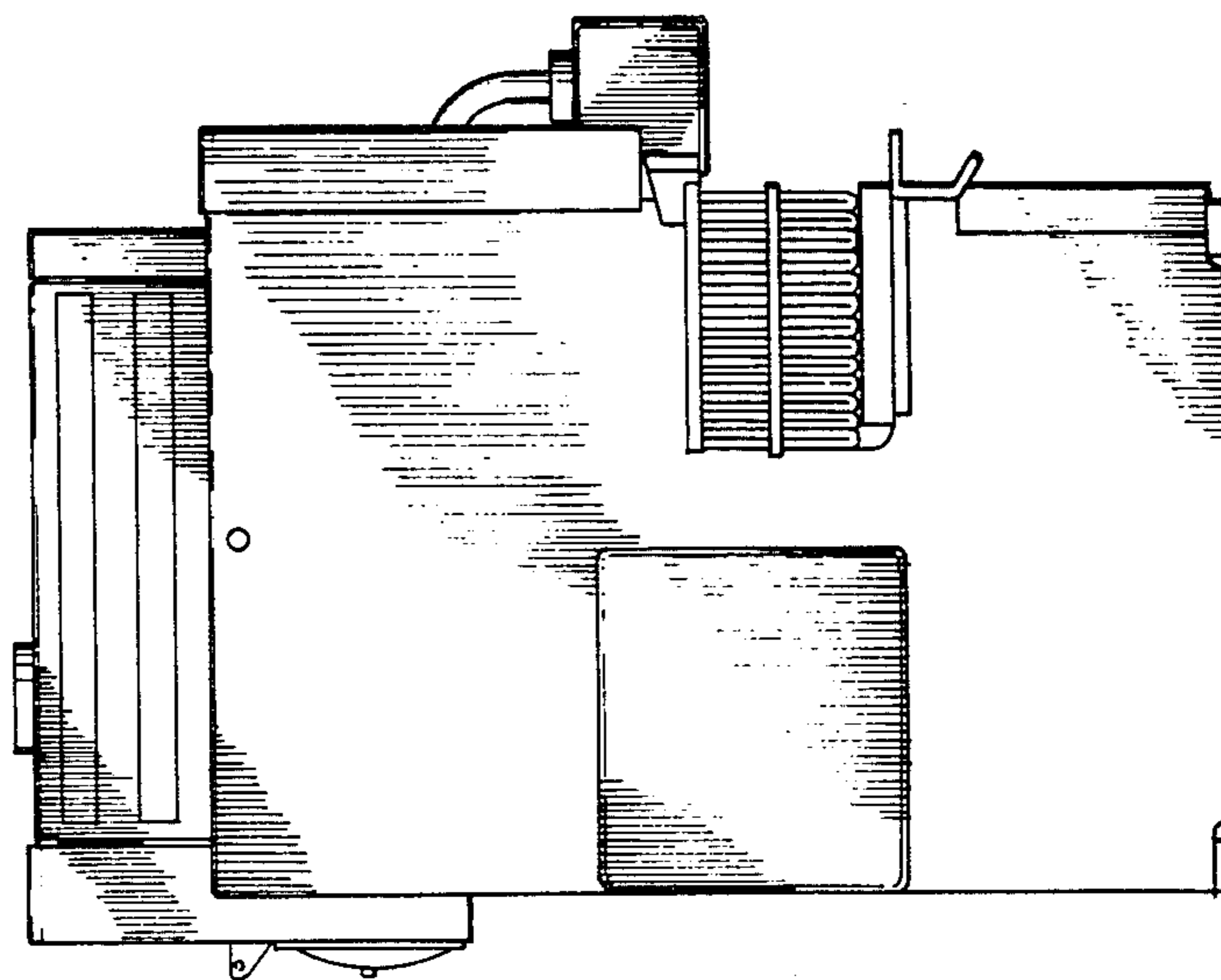


FIG. 3