

[54] **TELEVISION RECEIVER**

[75] **Inventors:** **Hiroyuki Tsubaki, Osaka; Yoshiaki Kawata, Hyogo; Yutaka Itoh; Toyoyuki Uematsu, both of Osaka, all of Japan**

[73] **Assignee:** **Matsushita Electric Industrial Co., Ltd., Osaka, Japan**

[**] **Term:** **14 Years**

[21] **Appl. No.:** **537,238**

[22] **Filed:** **Sep. 29, 1983**

[30] **Foreign Application Priority Data**

Mar. 30, 1983 [JP] Japan 58-13071

[52] **U.S. Cl.** **D14/80; D14/5; D14/6; D14/79**

[58] **Field of Search** **D14/77, 79-81, D14/84, 5, 6, 70**

[56] **References Cited**

U.S. PATENT DOCUMENTS

D. 256,363 8/1980 Uchiyama D14/79 X

D. 258,434 3/1981 Suzuki et al. D14/79 X
D. 261,767 11/1981 Takimoto et al. D14/79 X

OTHER PUBLICATIONS

Home Furnishings Daily, 7-23-71, p. 17, Panasonic TR-001 Television.

Evans '81-'82 Catalog ©'81, p. 261y, RCA AFR055 Television.

Primary Examiner—Jane E. Corrigan
Attorney, Agent, or Firm—Sughrue, Mion, Zinn, Macpeak, and Seas

[57] **CLAIM**

The ornamental design for a television receiver, as shown and described.

DESCRIPTION

FIG. 1 is a front, top and right side perspective view of a television receiver showing our new design;

FIG. 2 is a bottom, rear and left side perspective view thereof; and

FIG. 3 is a view like FIG. 1 thereof with the antenna in raised and partially extended position and the stand in lowered position.

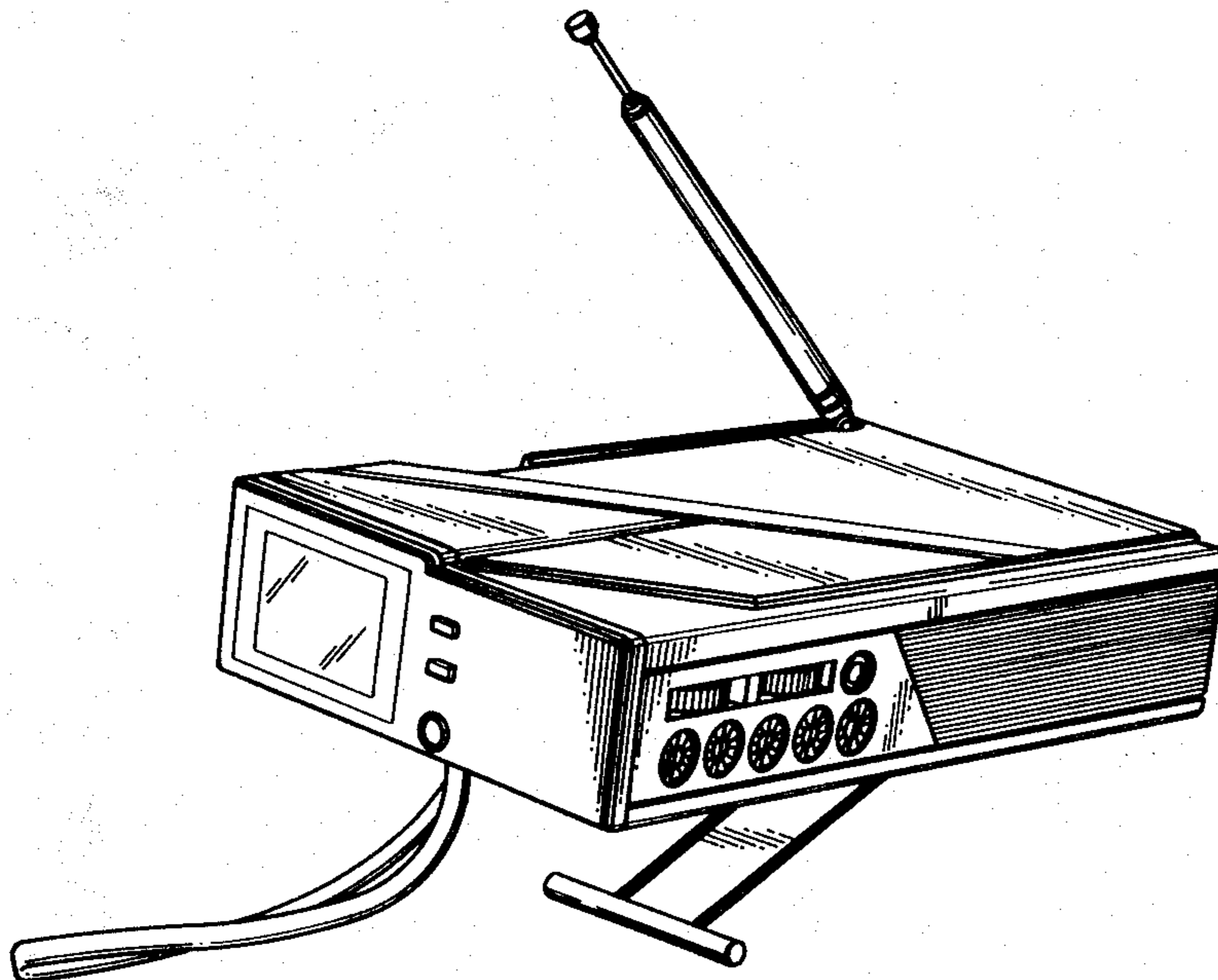


Fig. 1

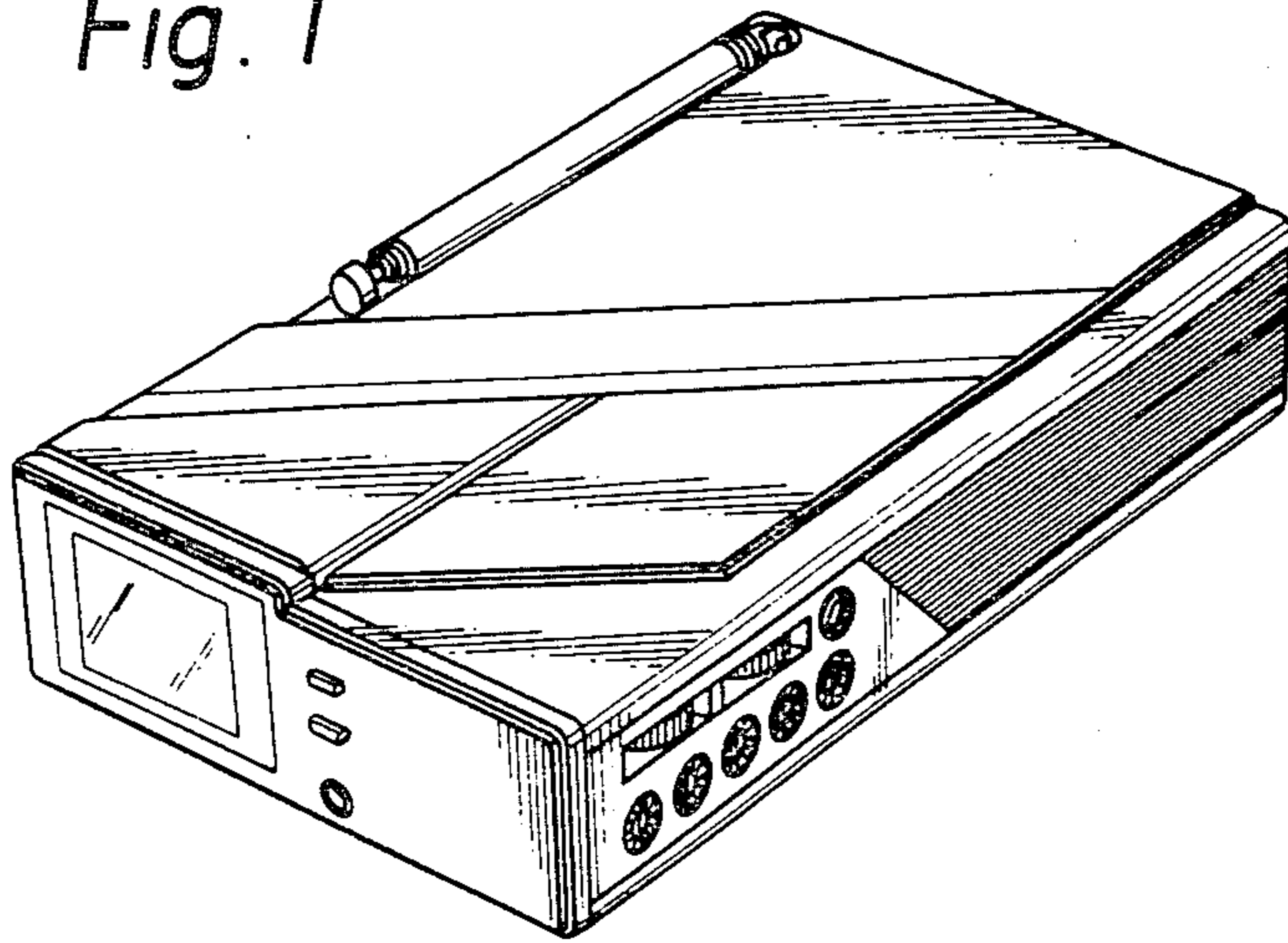


Fig. 2

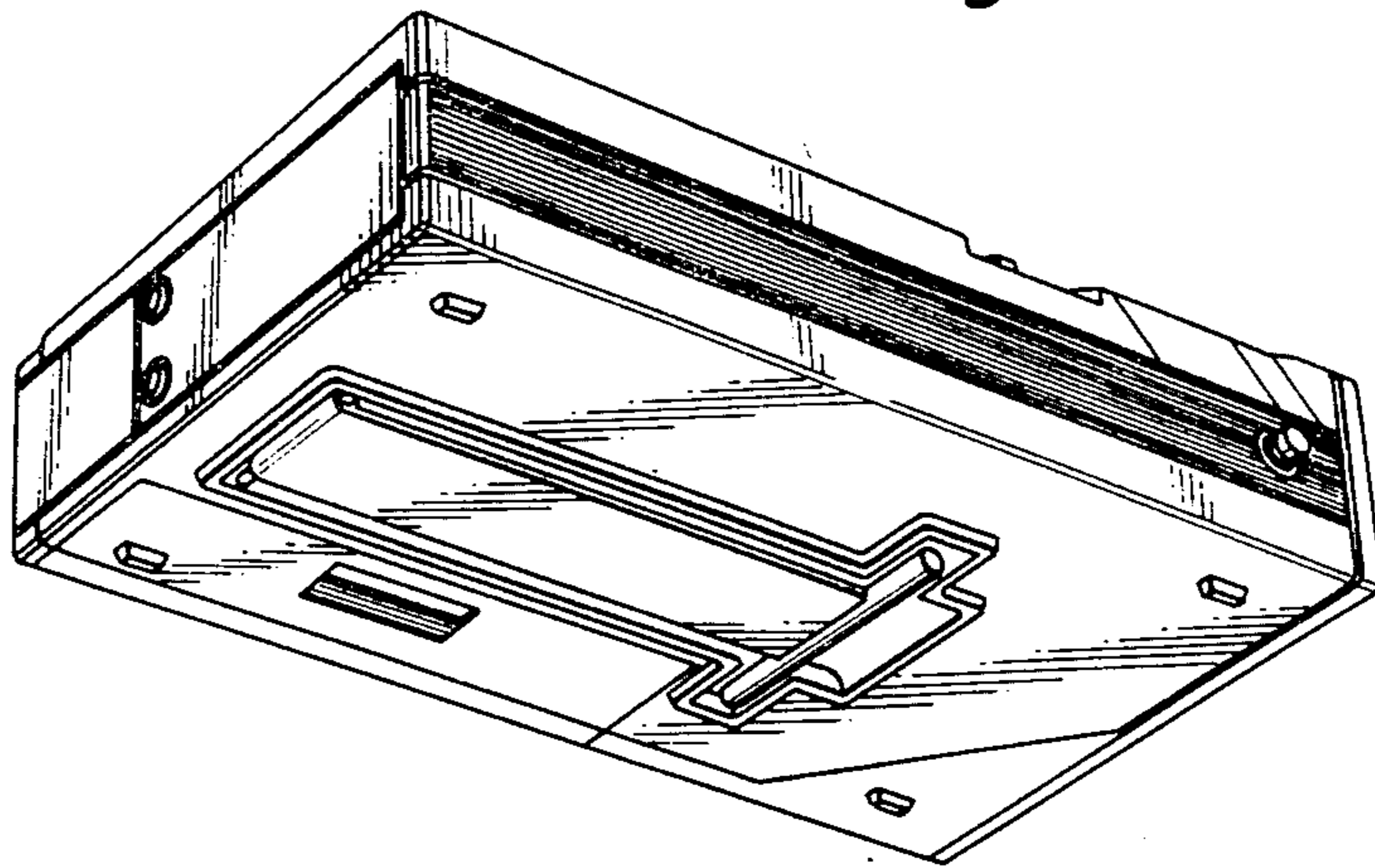


Fig. 3

