

[54] SPEAKER DRIVER

[75] Inventor: Frederick L. Seebinger, Kinnelon, N.J.

[73] Assignee: Atlas Sound Division Of American Trading & Production Corp., Parsippany, N.J.

[**] Term: 14 Years

[21] Appl. No.: 551,786

[22] Filed: Nov. 14, 1983

[52] U.S. Cl. D14/37

[58] Field of Search D14/37, 30; 179/115.5 H, 115.5 ES

[56] References Cited

U.S. PATENT DOCUMENTS

D. 239,537 4/1976 Wagner D14/37

2,858,377 10/1958 Levy 179/115.5 H
4,336,425 6/1982 Renkus 179/115.5 H
4,367,377 1/1983 Yamaguchi et al. 179/115.5 H

Primary Examiner—Jane E. Corrigan
Attorney, Agent, or Firm—Blum, Kaplan, Friedman, Silberman & Beran

[57] CLAIM

The ornamental design for a speaker driver, as shown and described.

DESCRIPTION

FIG. 1 is a perspective view of a speaker driver showing my new design;
FIG. 2 is a top plan elevational view thereof;
FIG. 3 is a side elevational view thereof;
FIG. 4 is an elevational view of the side opposite that of FIG. 3; and
FIG. 5 is a bottom plan view thereof.

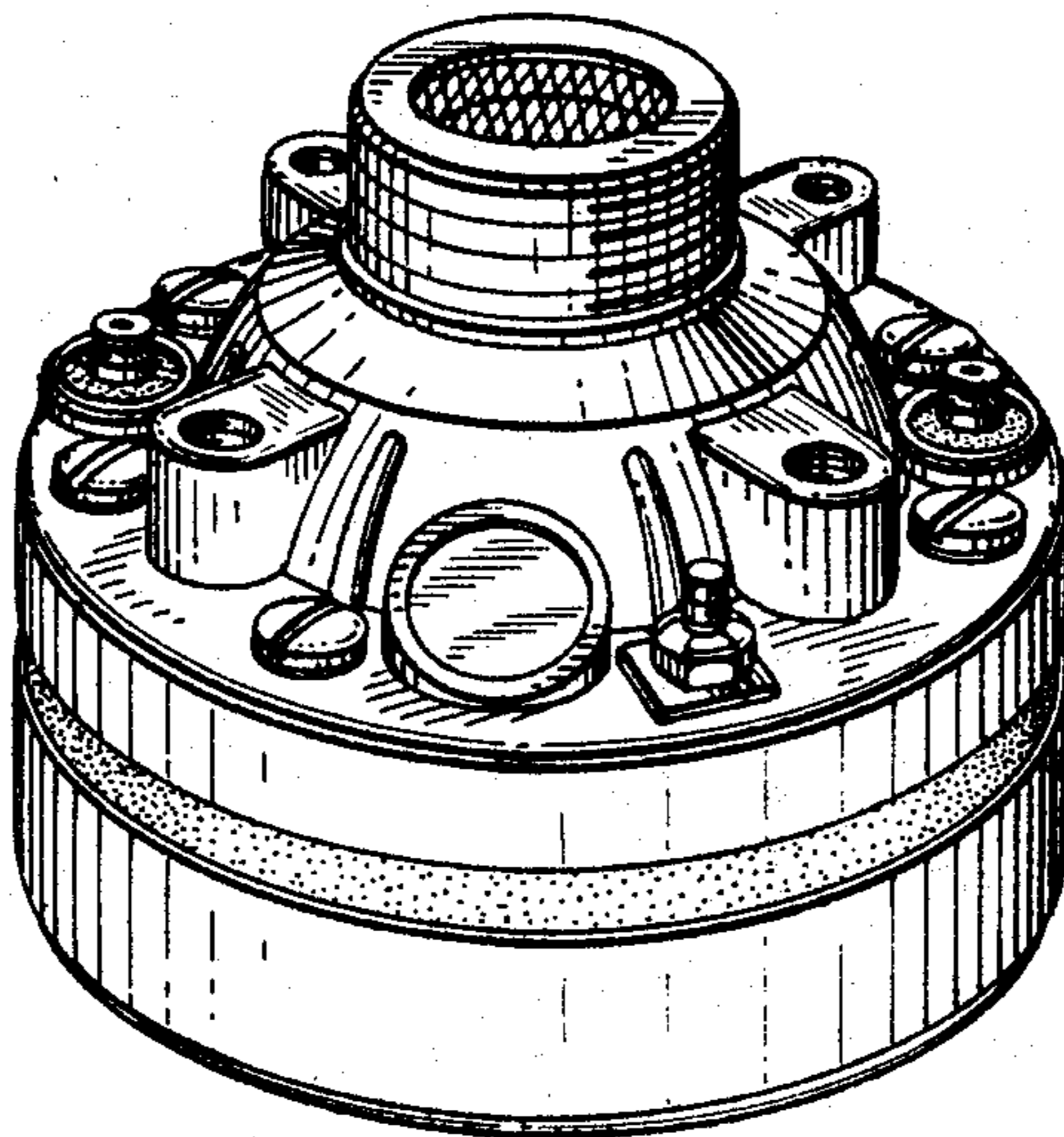


FIG. 1

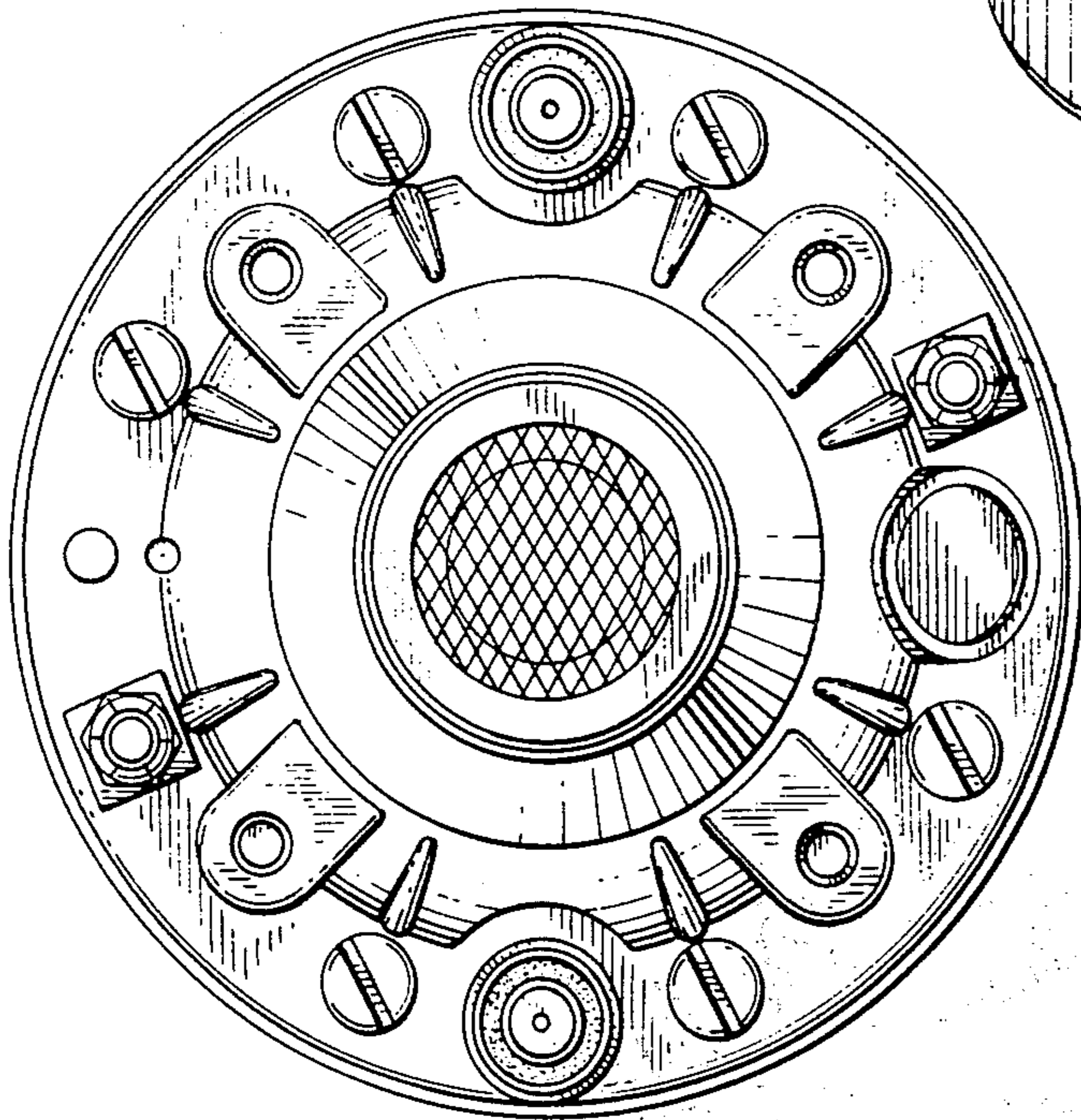
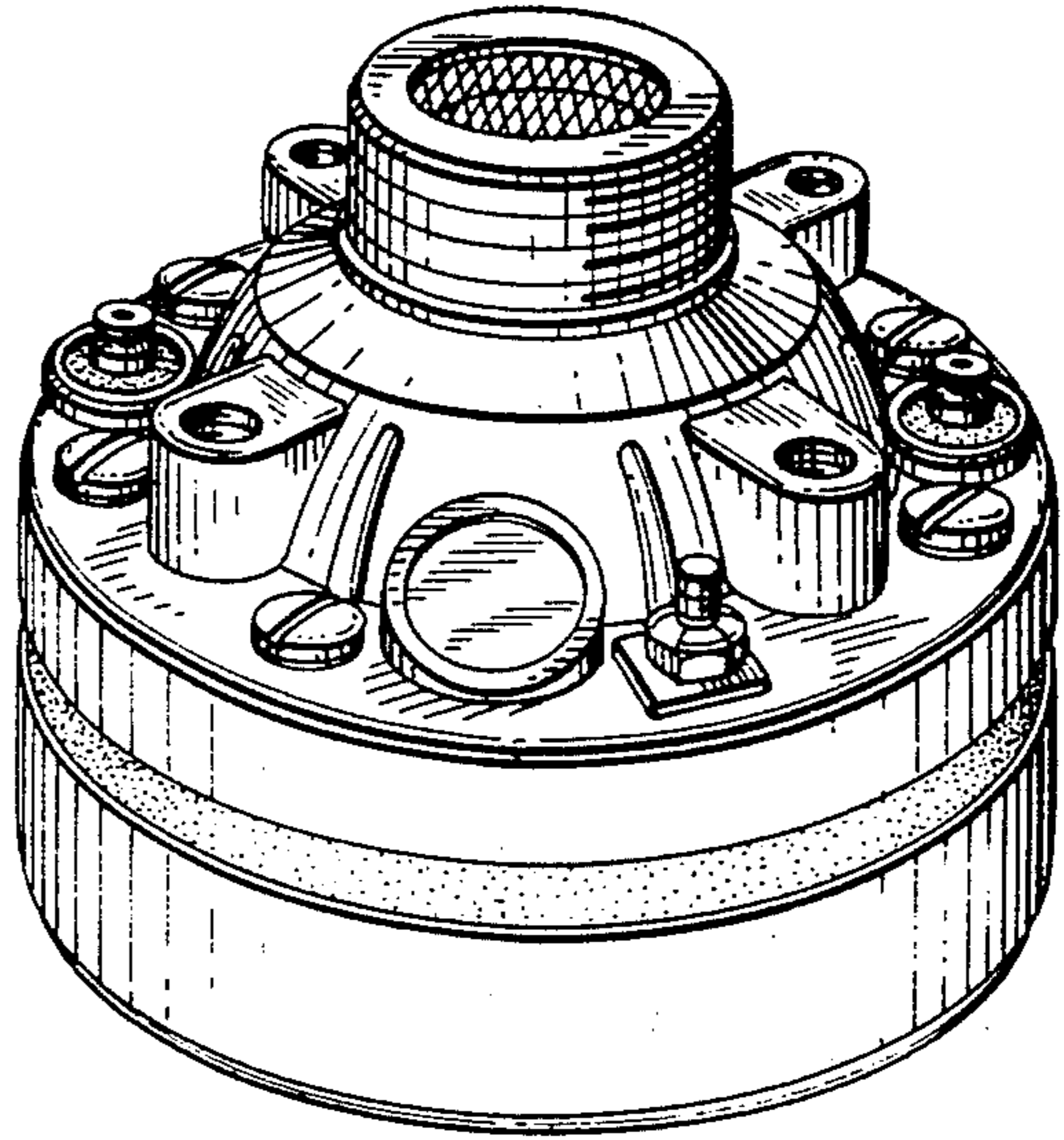


FIG. 2

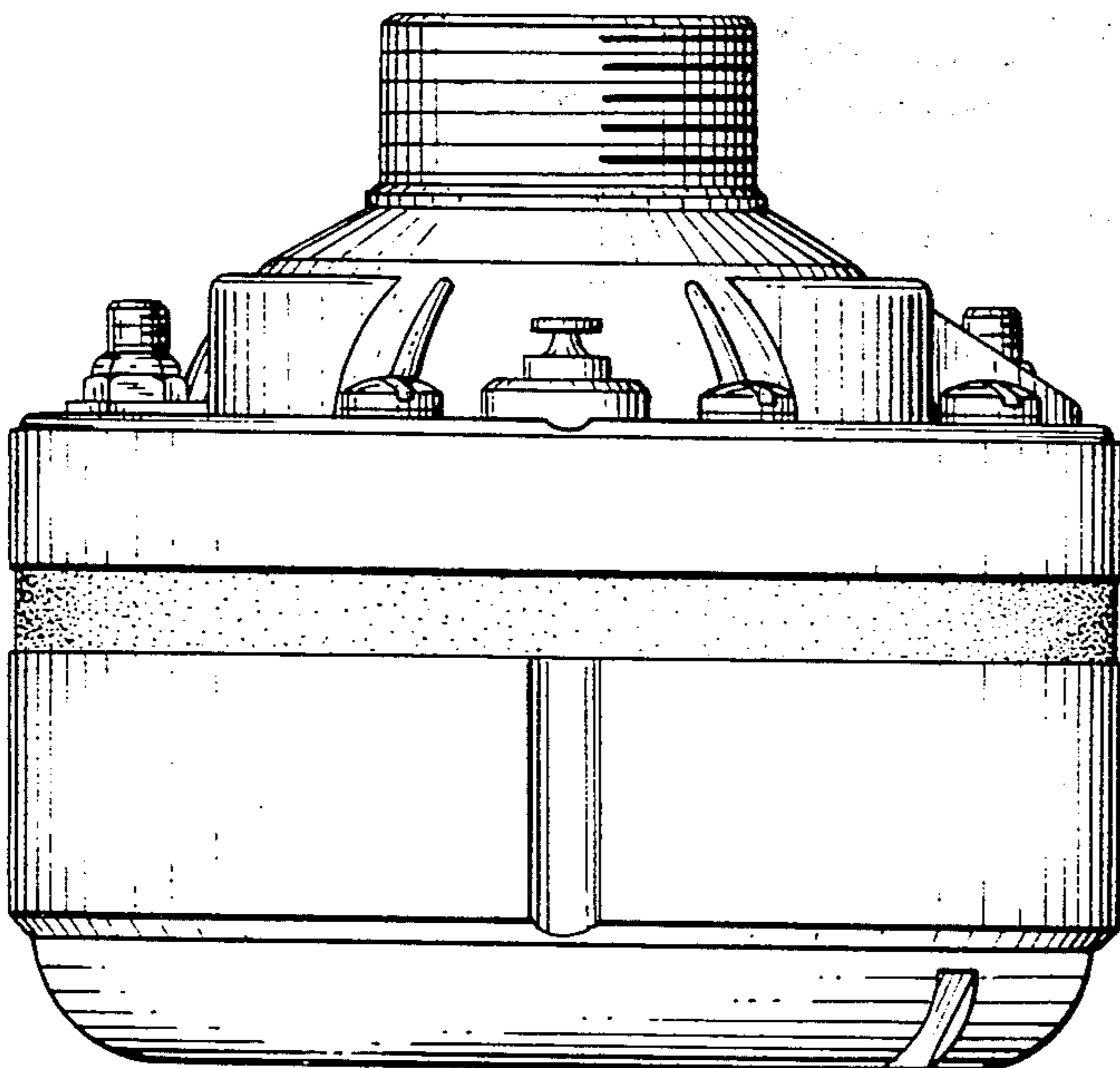


FIG. 3

FIG. 4

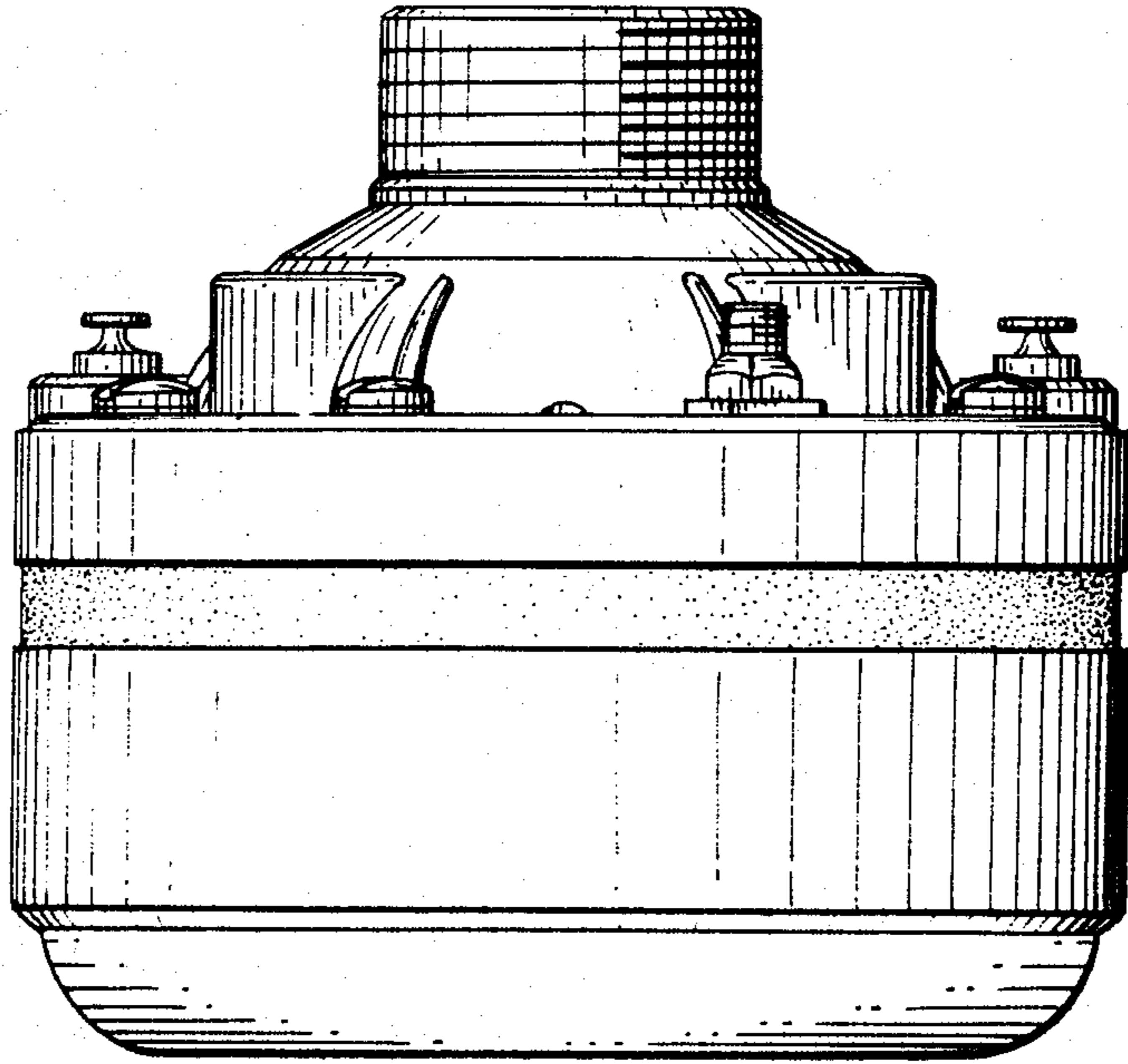


FIG. 5

