

[54] LOUDSPEAKER

[75] Inventor: Gary E. Grimes, Watertown, Conn.

[73] Assignee: U.S. Philips Corporation, New York, N.Y.

[\*\*] Term: 14 Years

[21] Appl. No.: 507,895

[22] Filed: Jun. 27, 1983

[30] Foreign Application Priority Data

Jan. 4, 1983 [XB] Benelux ..... 57465-02

[52] U.S. Cl. .... D14/33

[58] Field of Search ..... D14/30, 32-34, D14/37-39; 179/179

[56] References Cited

U.S. PATENT DOCUMENTS

D. 230,865 3/1974 Petroff ..... D14/33

D. 258,130 2/1981 Doherty ..... D14/32 X  
D. 265,650 8/1982 Sugiwaka ..... D14/33 X  
3,509,290 4/1970 Mochida et al. .... D14/30

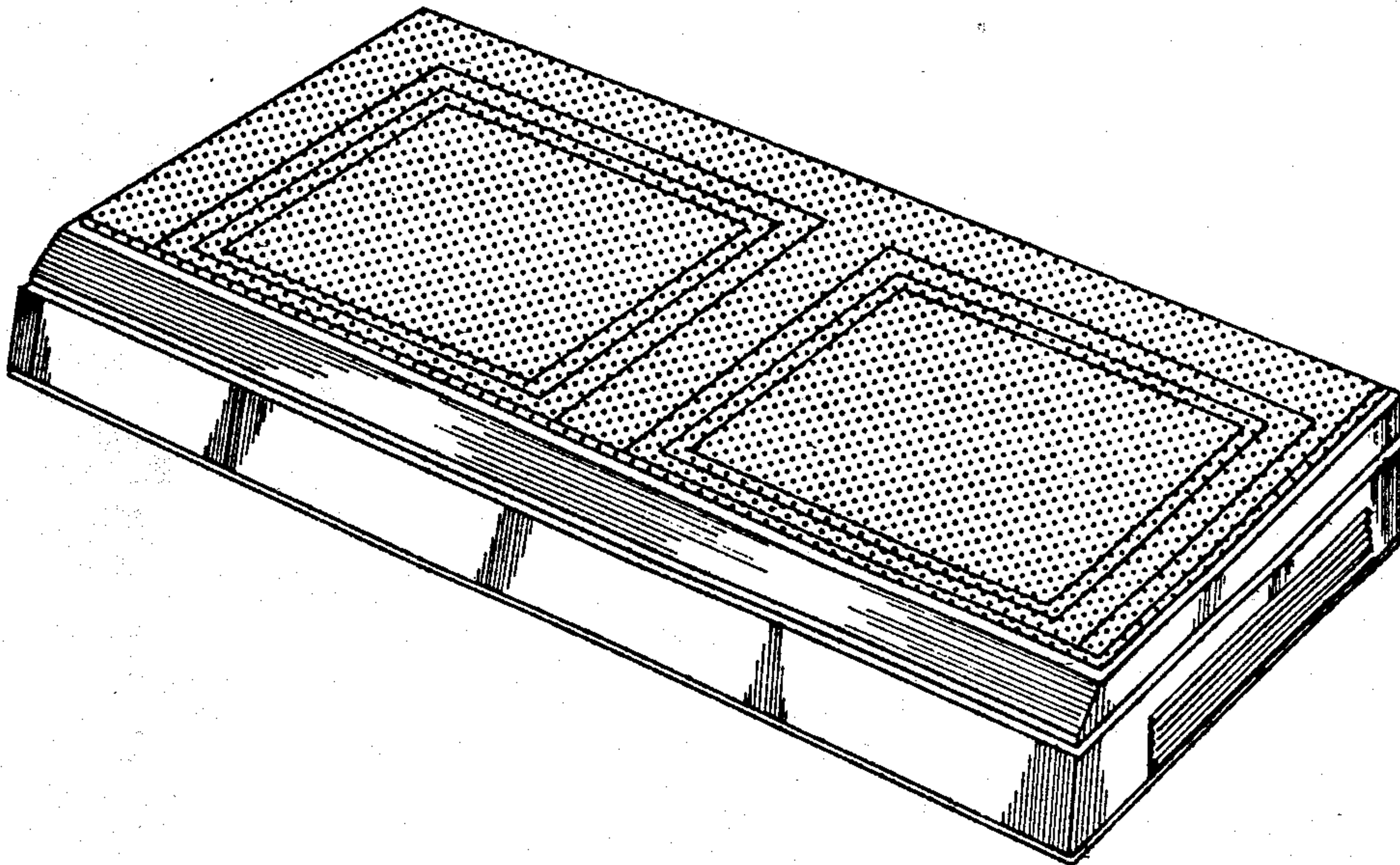
Primary Examiner—Jane E. Corrigan  
Attorney, Agent, or Firm—Rolf E. Schneider

[57] CLAIM

The ornamental design for a loudspeaker, as shown and described.

DESCRIPTION

FIG. 1 is a front, top and right side perspective view of a loudspeaker showing my new design, with the dot pattern indicating a conventional mesh grille; FIG. 2 is a top plan view thereof; FIG. 3 is a bottom plan view thereof; FIG. 4 is a front elevational view thereof; FIG. 5 is a rear elevational view thereof; FIG. 6 is a right side elevational view thereof; and FIG. 7 is a left side elevational view thereof.



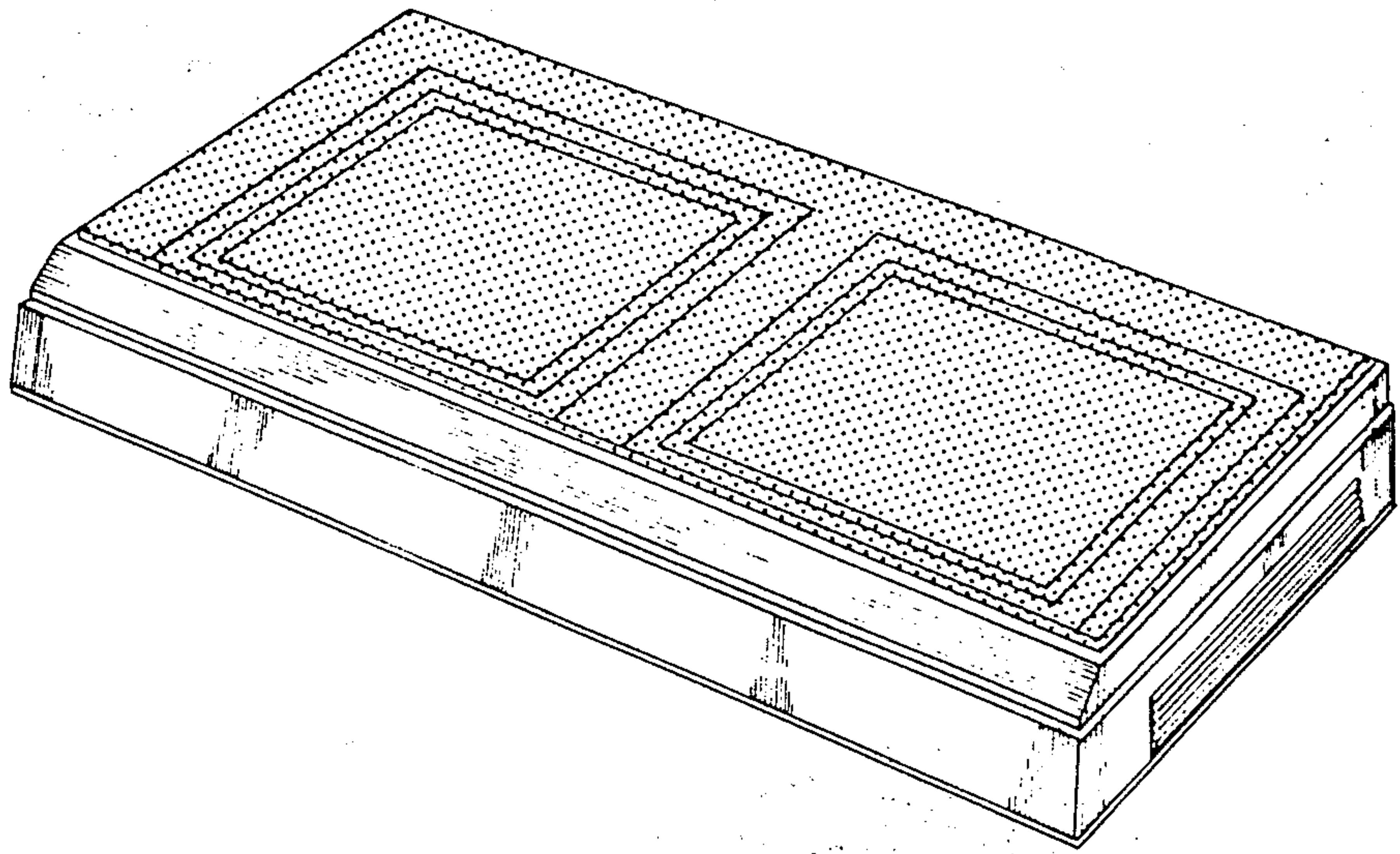


FIG. 1



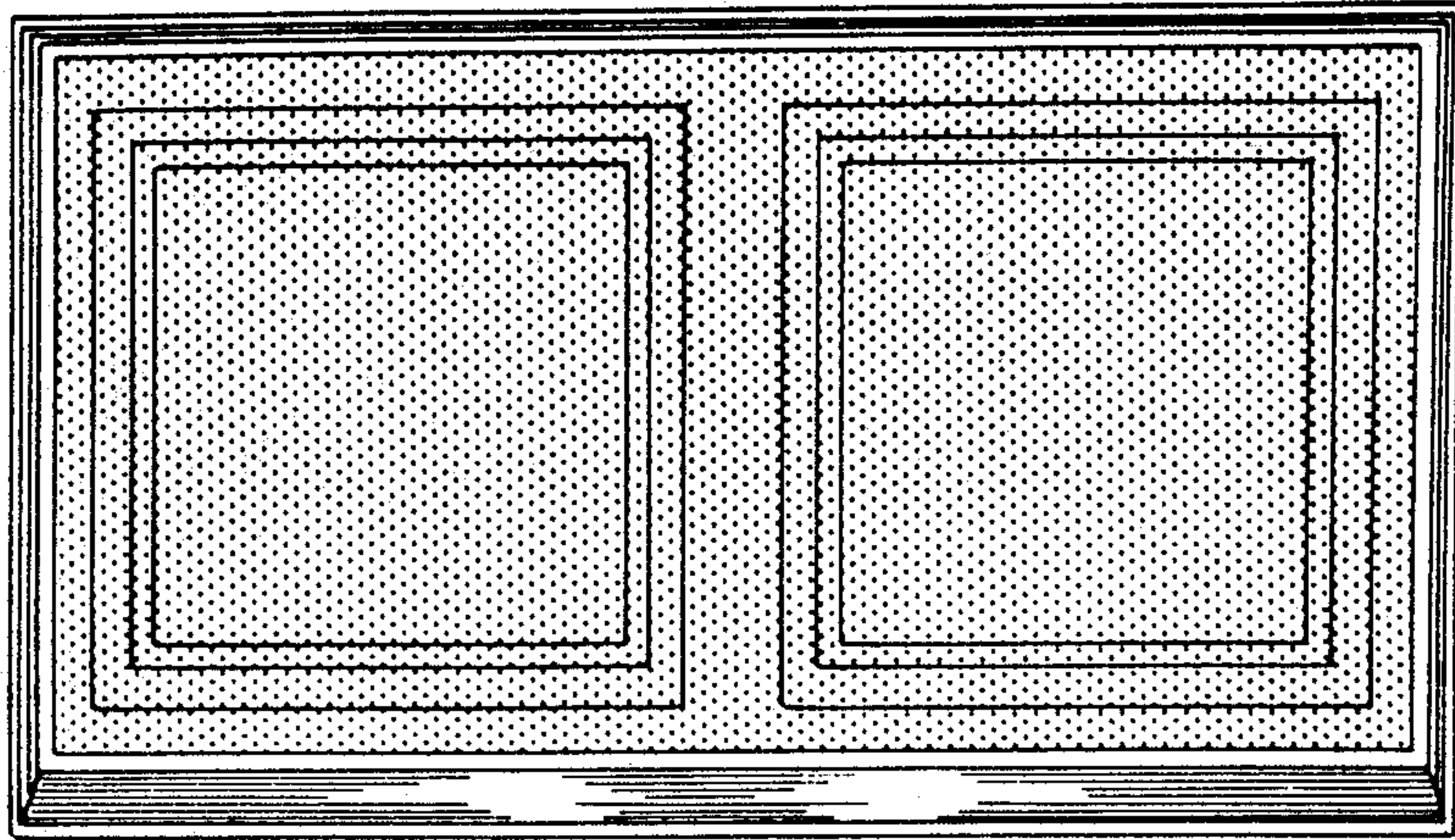


FIG. 2

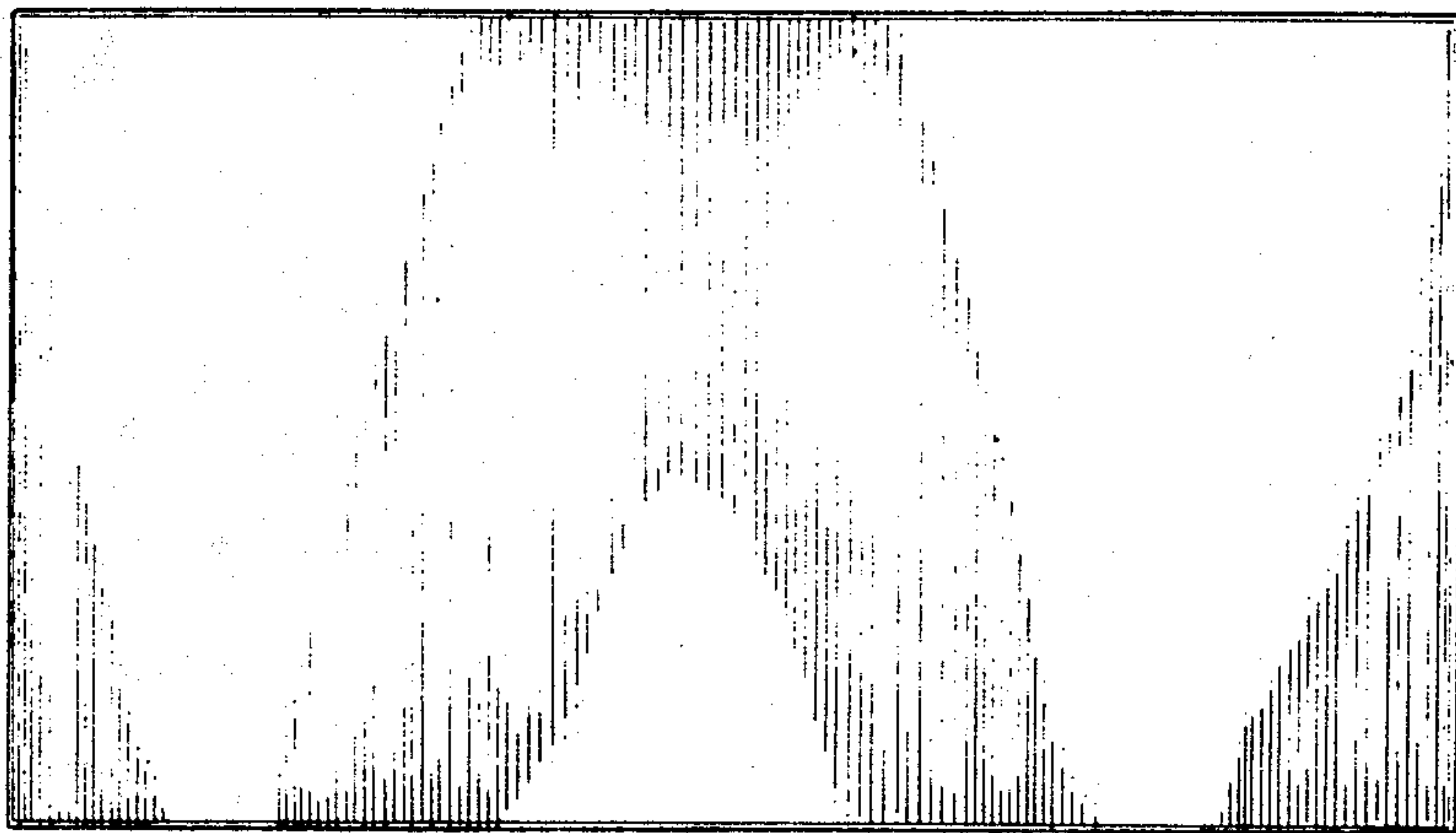


FIG. 3

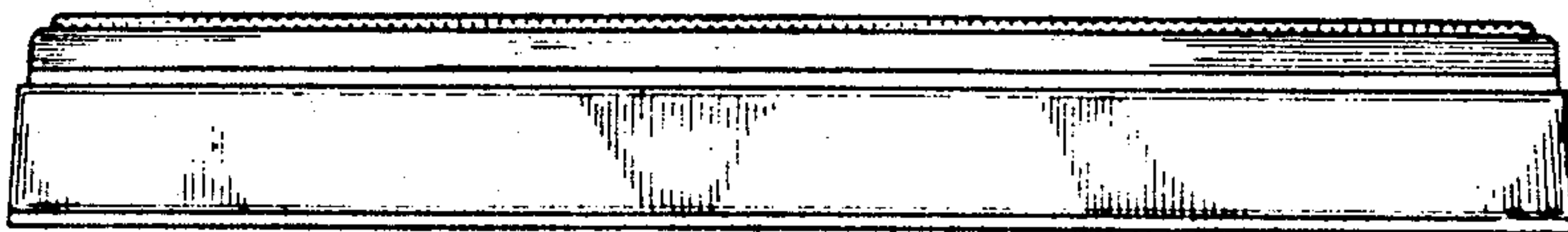


FIG. 4

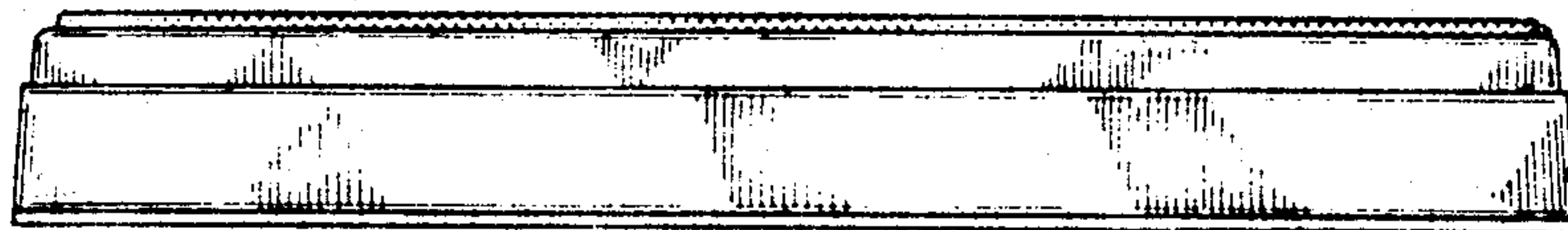


FIG. 5

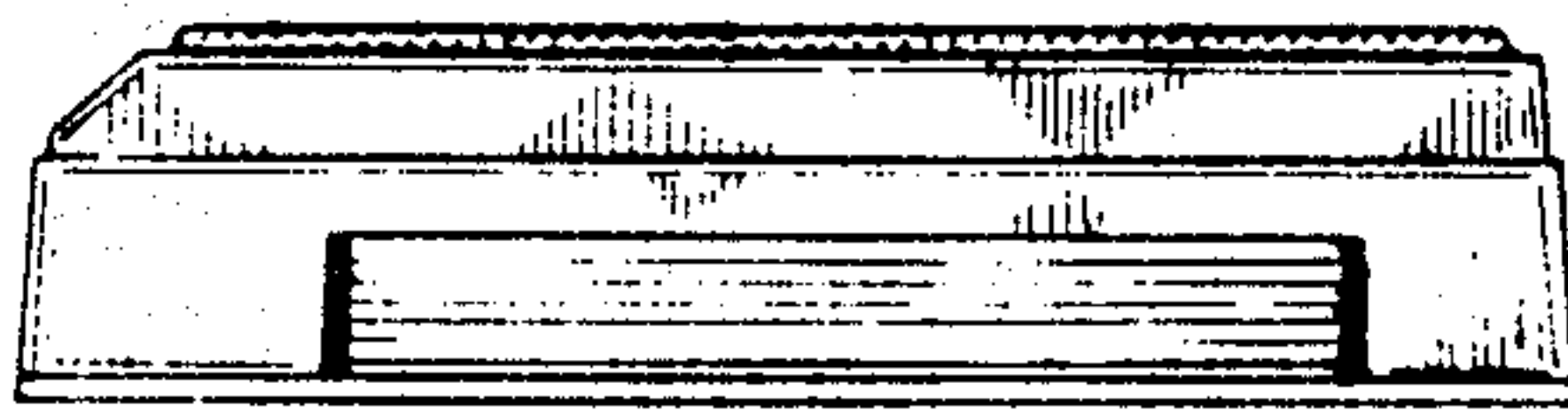


FIG. 6

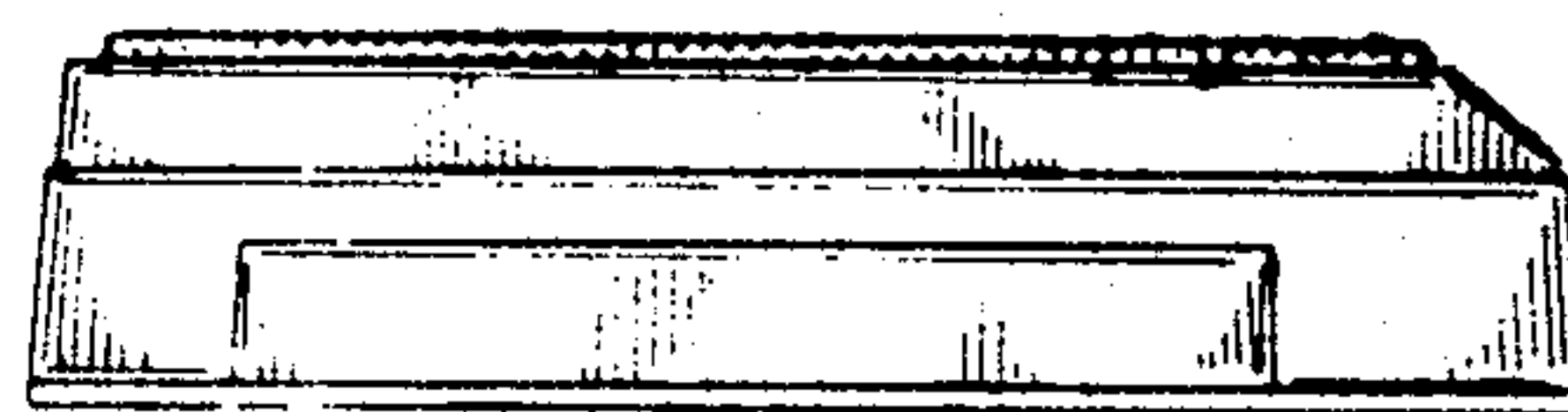


FIG. 7