

[54] MOTORCYCLE FOOTREST

[75] Inventors: Tyrone A. Cruze; Nace J. Panzica, both of San Jose, Calif.

[73] Assignee: Custom Chrome, Morgan Hill, Calif.

[**] Term: 14 Years

[21] Appl. No.: 602,551

[22] Filed: Apr. 20, 1984

[52] U.S. Cl. D12/114

[58] Field of Search D12/114; 280/291

[56] References Cited

PUBLICATIONS

J. C. Whitney Motorcycle Parts & Accessories Catalog No. 10.A, ©1975, p. 26, Kick Starter Pedal, lower right side of page.

J. C. Whitney Motorcycle Parts & Accessories Catalog

No. 28 C, ©1983, p. 27, "O"Ring Folding Foot Pegs, lower left side of page.

Primary Examiner—James M. Gandy
Attorney, Agent, or Firm—Flehr, Hohbach, Test, Albritton & Herbert

[57] CLAIM

The ornamental design for a motorcycle footrest, as shown and described.

DESCRIPTION

FIG. 1 is a perspective view showing the top and distal end of a motorcycle footrest embodying our new design.

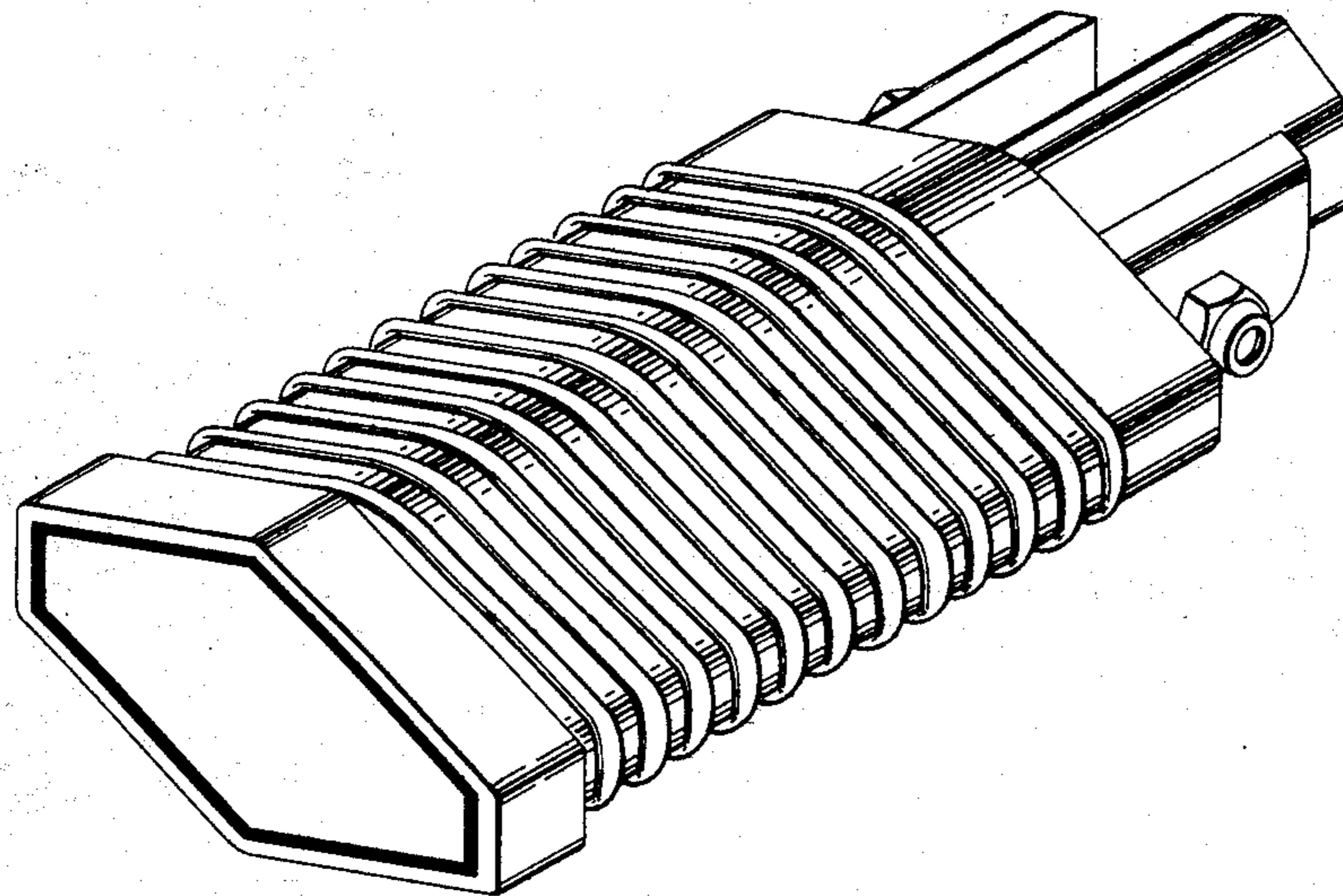
FIG. 2 is a perspective view thereof articulated to an upright position as viewed from the proximal end;

FIG. 3 is an elevation view of the proximal end thereof;

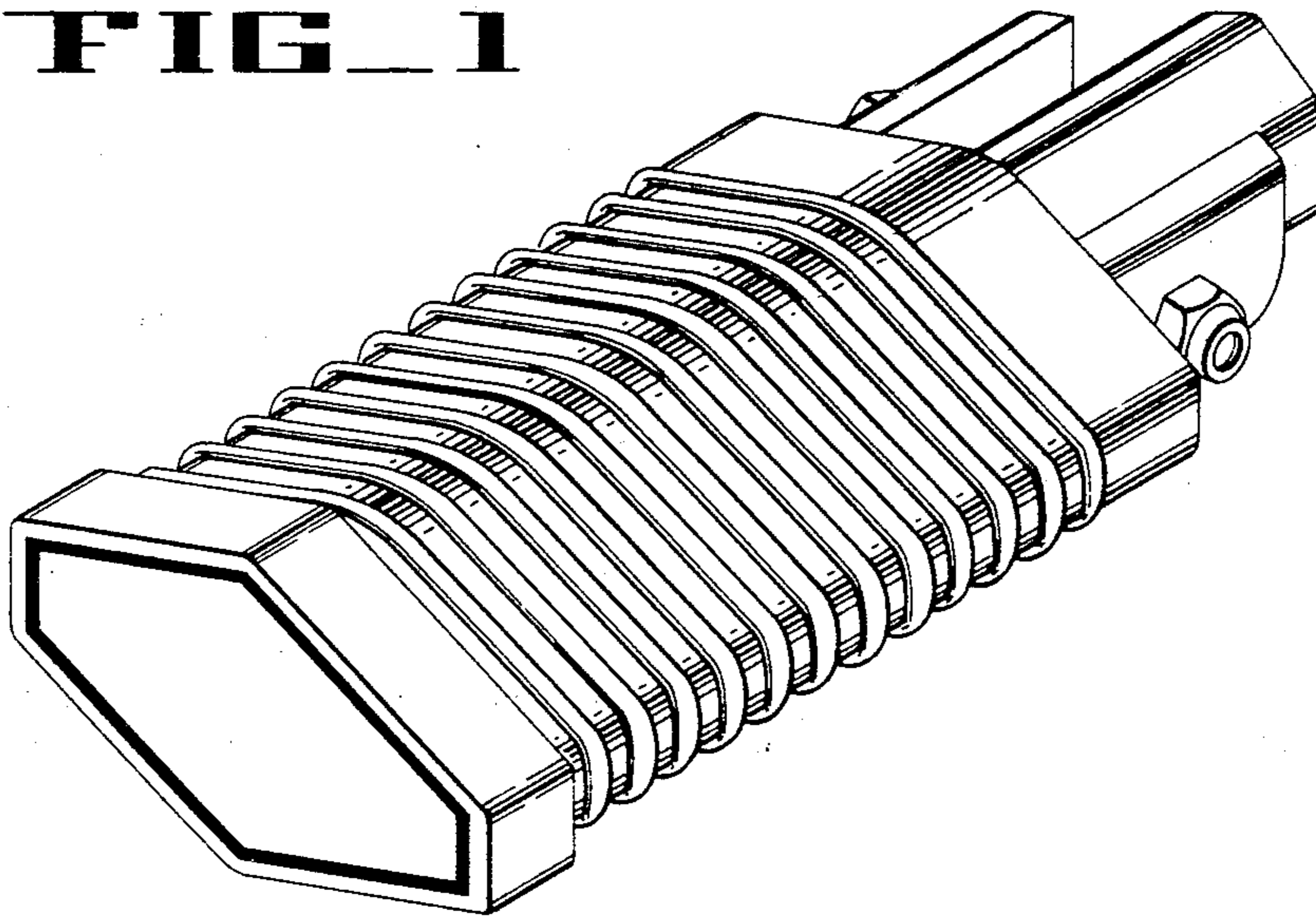
FIG. 4 is a front elevation view thereof;

FIG. 5 is a top plan view thereof; and

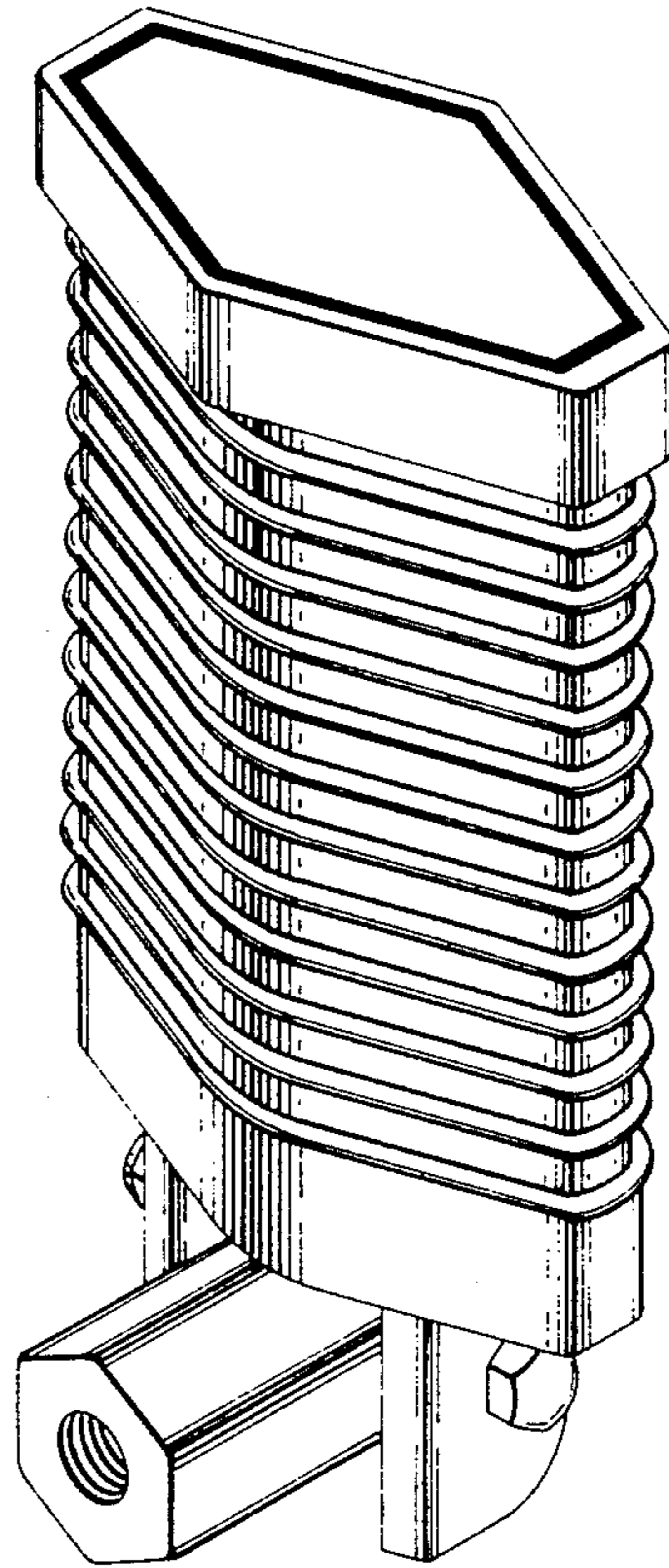
FIG. 6 is a bottom plan view thereof.



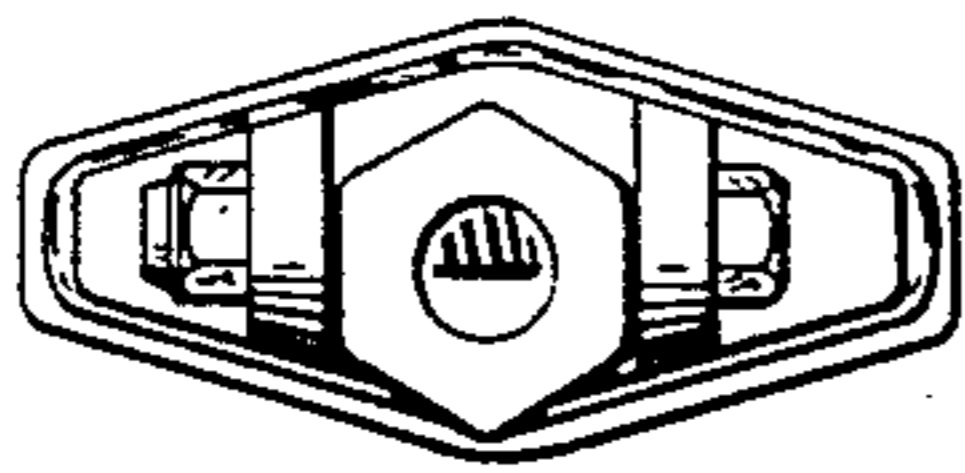
FIG_1



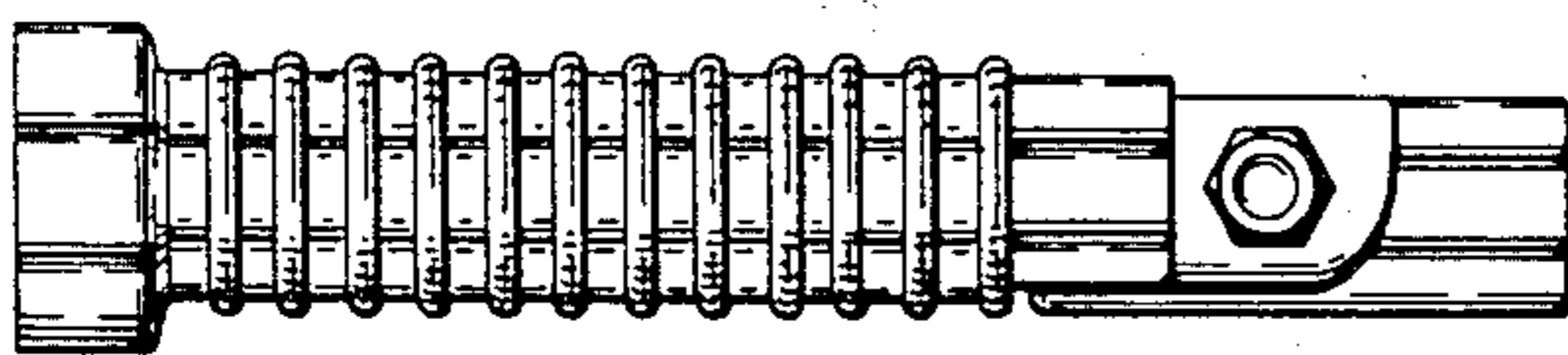
FIG_2



FIG_3



FIG_4



FIG_5

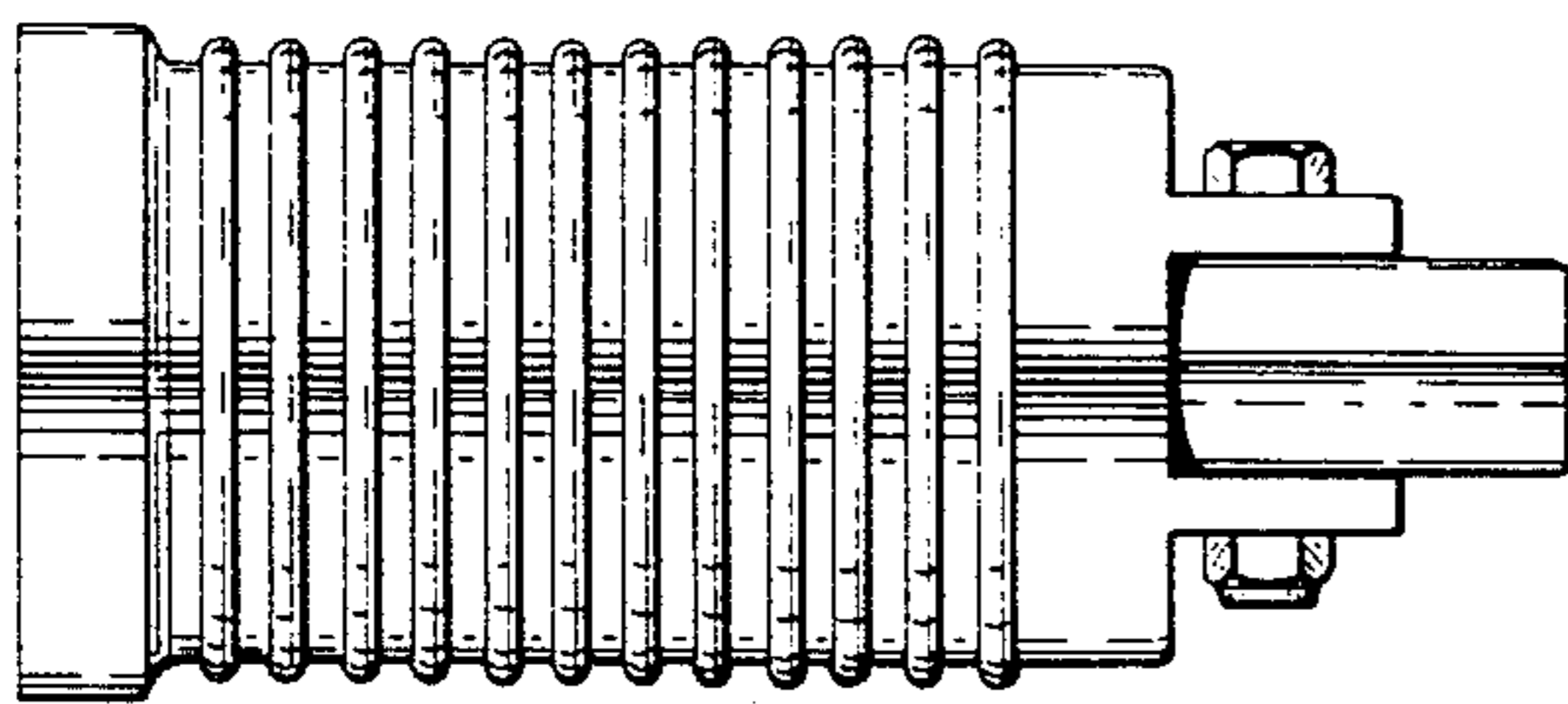


FIG. 6

