

[54] DISPLAY FRAME HANGER

[75] Inventors: Mark T. Cole, West Groton; Charles F. Sherman, Townsend, both of Mass.

[73] Assignee: Nielsen Moulding Design Corp., Townsend, Mass.

[\*\*] Term: 14 Years

[21] Appl. No.: 499,329

[22] Filed: May 31, 1983

[52] U.S. Cl. .... D8/373

[58] Field of Search ..... D6/300, 303-306, D6/309-311, 313; 248/496, 497, 477; 40/156; D8/373

[56] References Cited

U.S. PATENT DOCUMENTS

D. 203,538 1/1966 Nuccio ..... D8/371 X

D. 208,580	9/1967	Margulis .....	D8/373
2,483,114	9/1949	Schoor et al. ....	248/496
2,641,427	6/1953	Krogh .....	248/496
2,877,972	3/1959	Sutton et al. ....	248/496
3,556,459	1/1971	Summerville, Jr. ....	248/300 X

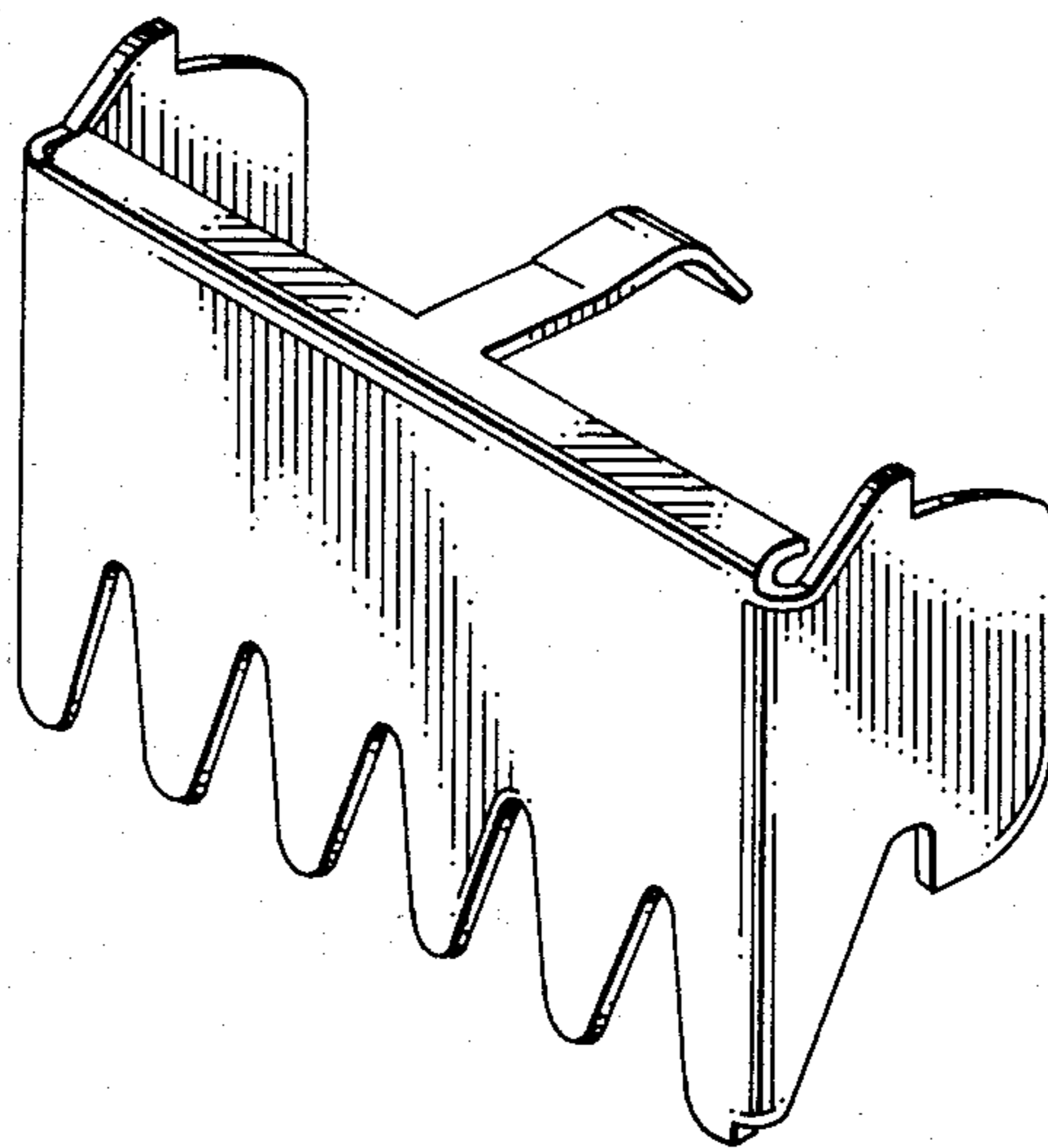
Primary Examiner—Bernard Ansher  
Assistant Examiner—Terry Pfeffer  
Attorney, Agent, or Firm—John E. Toupal; Harold G. Jarcho

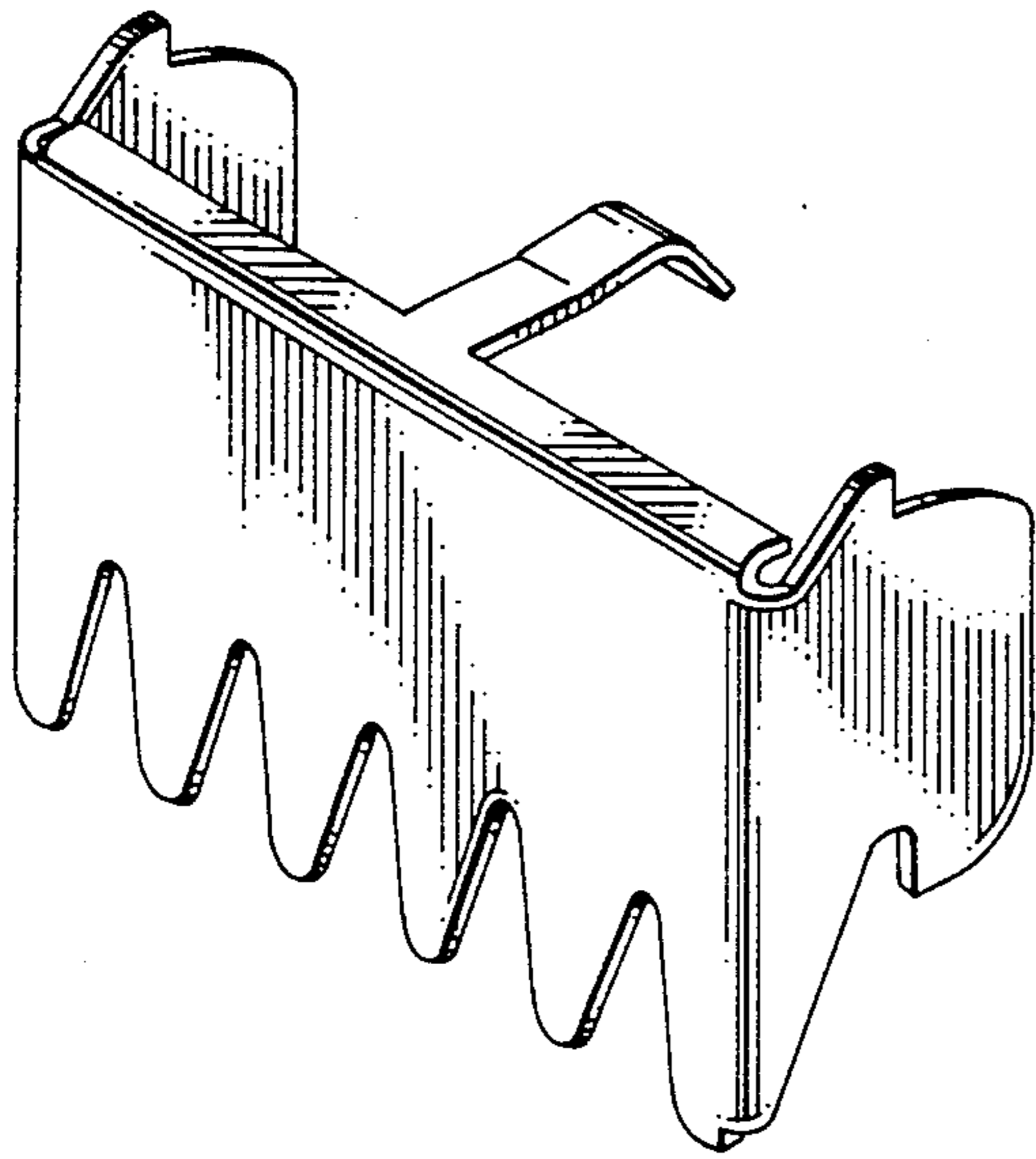
[57] CLAIM

The ornamental design for a display frame hanger, substantially as shown and disclosed.

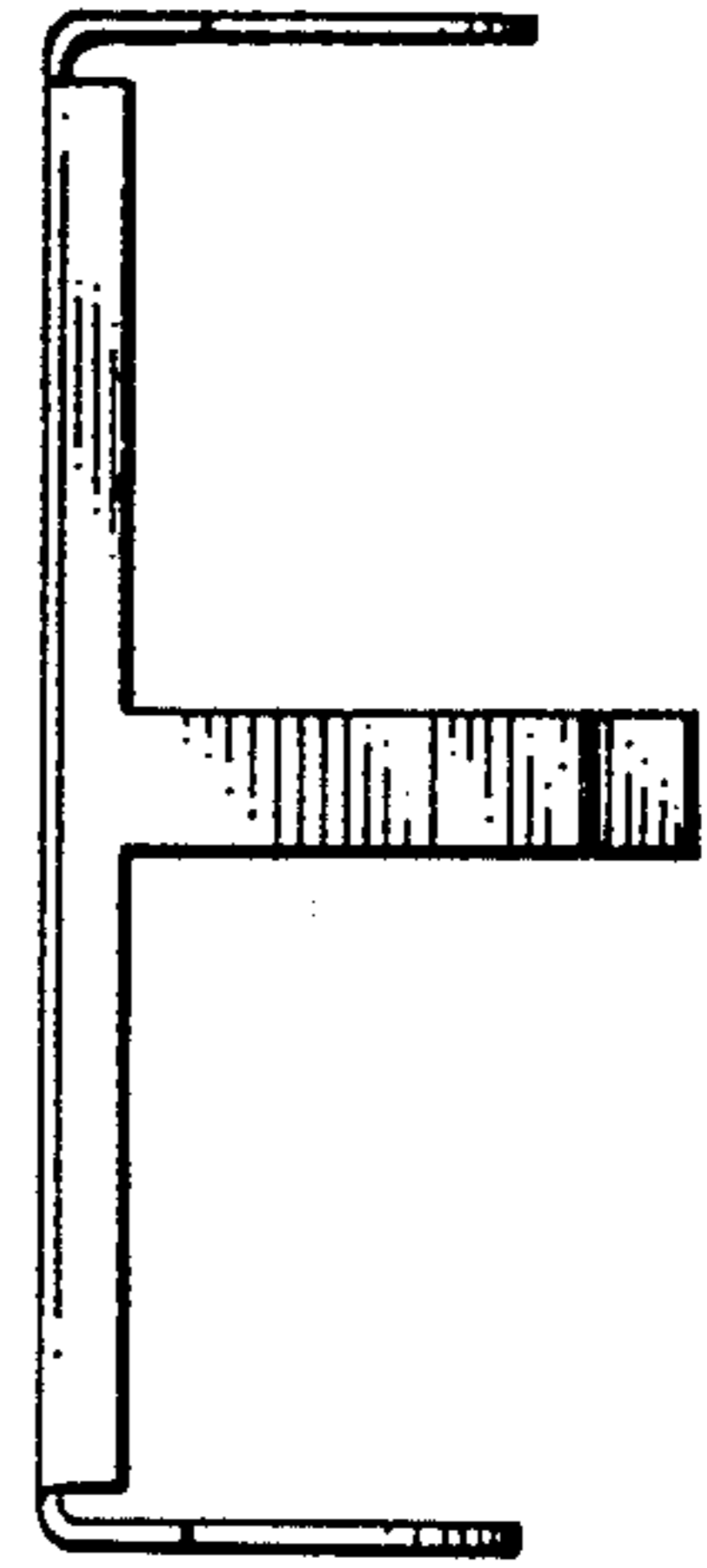
DESCRIPTION

FIG. 1 is a top, front, right side perspective view of a display frame hanger showing our new design; FIG. 2 is a top plan view thereof; FIG. 3 is a right side elevation thereof; and FIG. 4 is a bottom, rear, left side perspective view thereof.

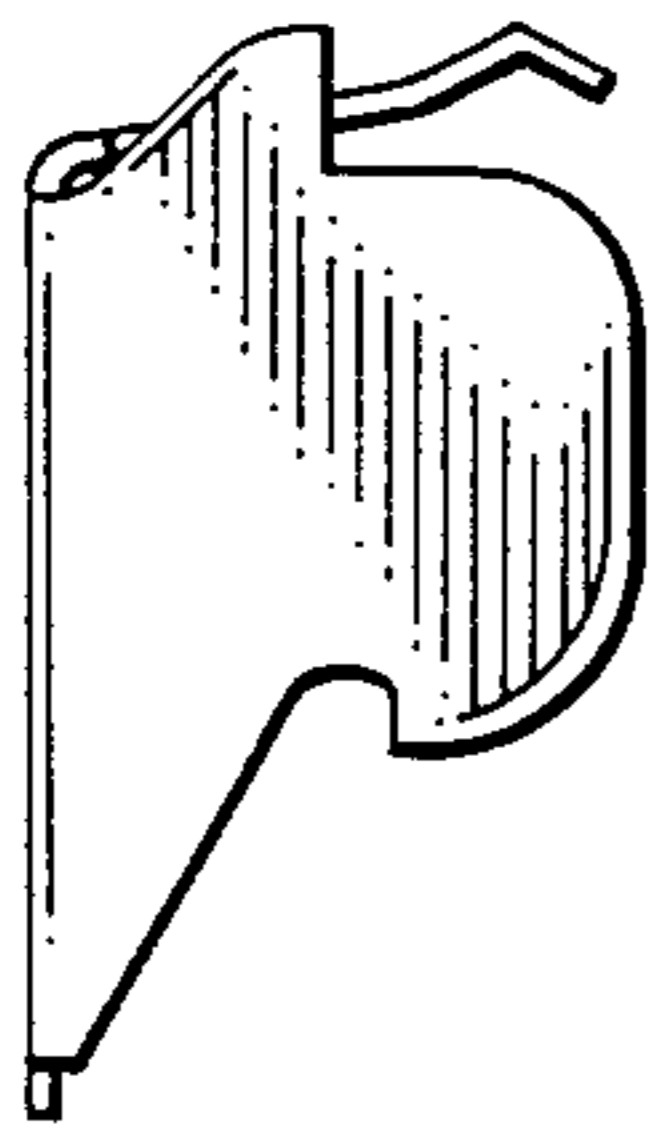




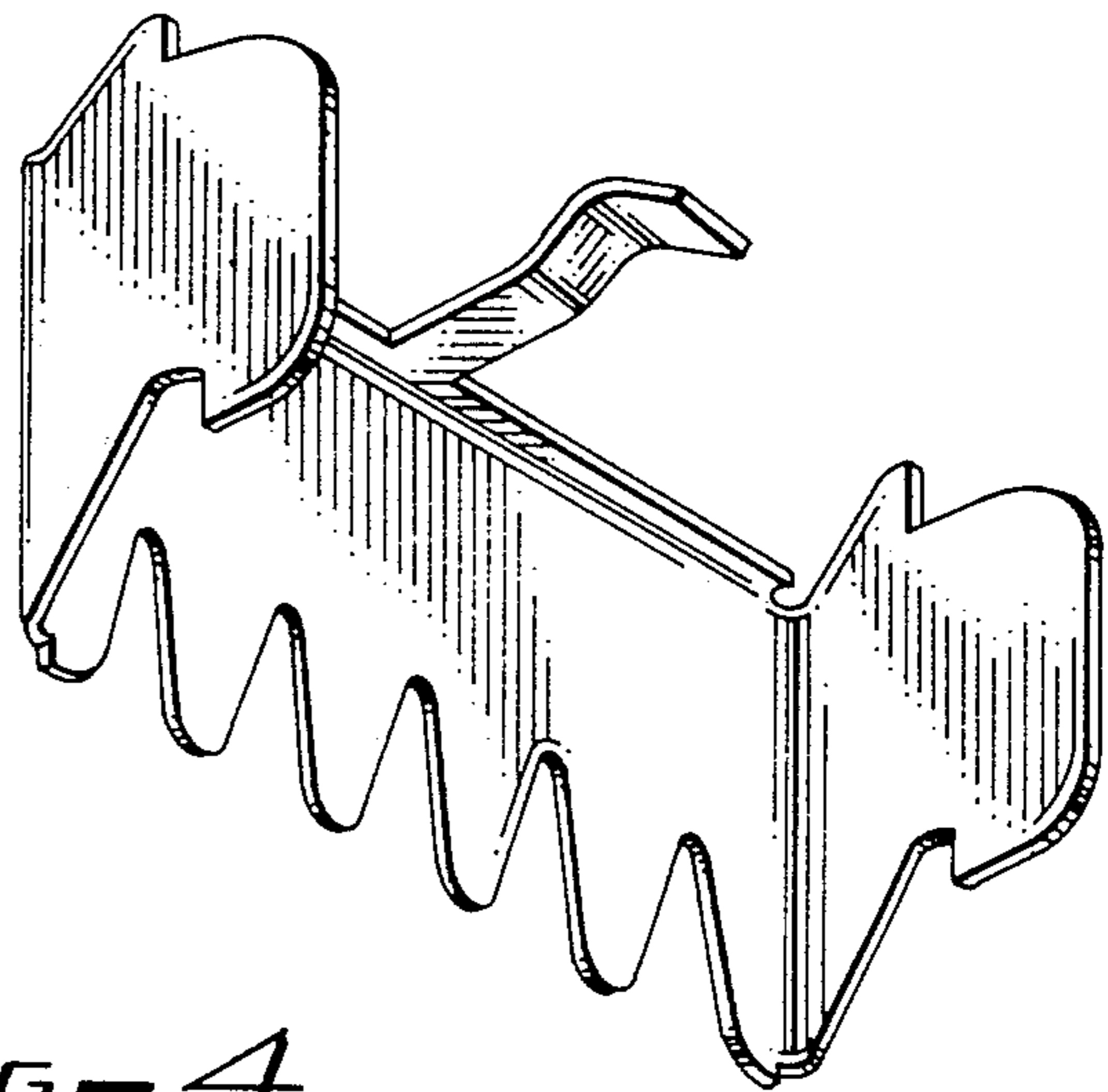
*FIG. 1*



*FIG. 2*



*FIG. 3*



*FIG. 4*