

[54] VISE

[76] Inventor: Carl S. Tarquinio, 1048 Chelsea Ave., Santa Monica, Calif. 90403

[**] Term: 14 Years

[21] Appl. No.: 410,418

[22] Filed: Aug. 23, 1982

[52] U.S. Cl. D8/74

[58] Field of Search D8/71-74, D8/354, 356, 359, 366, 394, 396; 269/95, 181, 240, 246, 247-253, 102, 266

[56] References Cited

U.S. PATENT DOCUMENTS

- D. 213,727 4/1969 Barvinek et al. D8/74
- D. 254,376 3/1980 Glomb et al. D8/74 X
- 573,053 12/1896 Van Meter 269/251 X
- 3,176,745 4/1965 Nyborg 269/246 X

4,205,833 6/1980 Lenz 269/247 X

FOREIGN PATENT DOCUMENTS

640043 4/1962 Canada 269/247

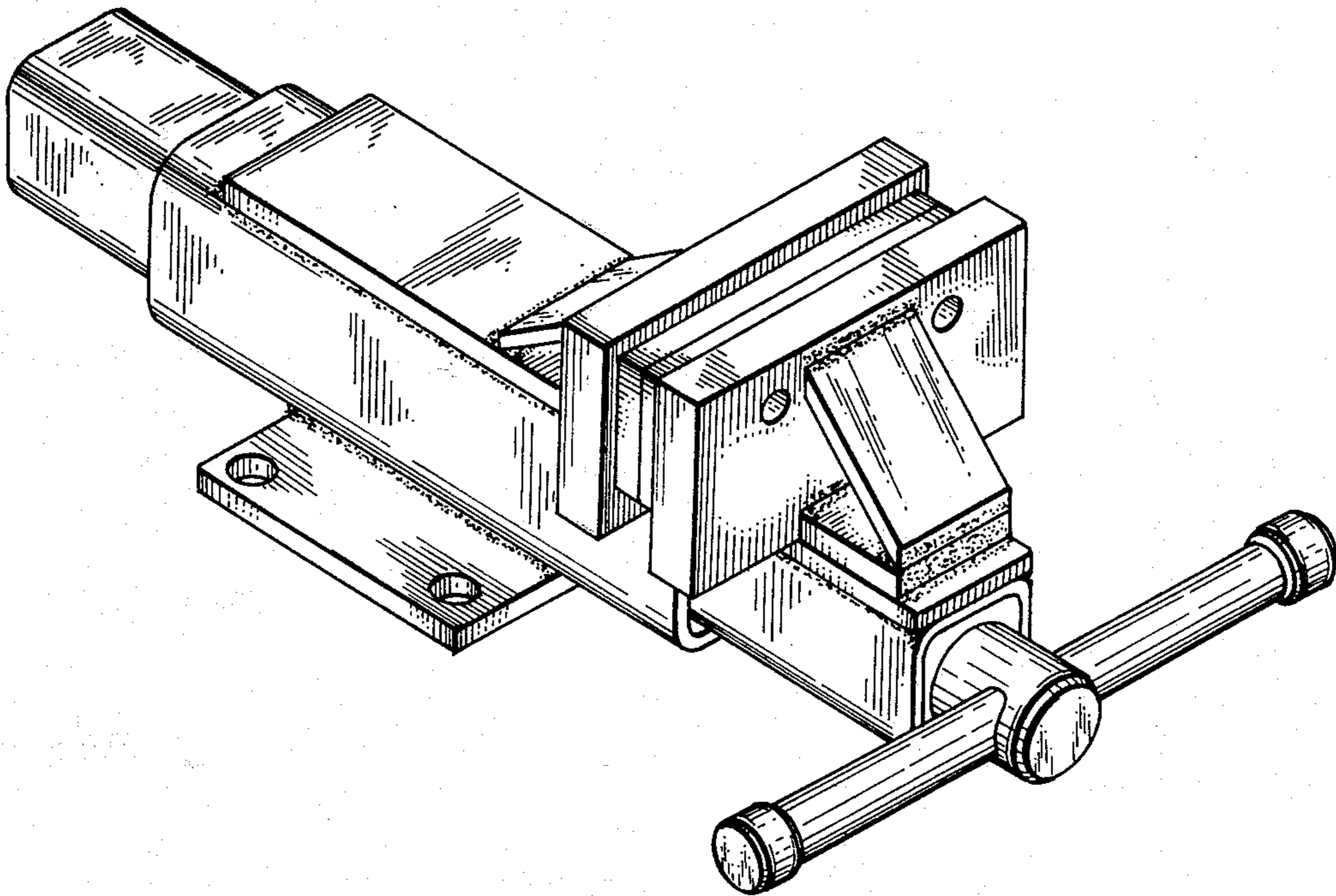
Primary Examiner—Susan J. Lucas
Assistant Examiner—C. E. Heflin
Attorney, Agent, or Firm—Beehler, Pavitt, Siegemund, Jagger & Martella

[57] CLAIM

The ornamental design for a vise, substantially as shown and described.

DESCRIPTION

FIG. 1 is a view in perspective of a vise showing my new design;
FIG. 2 is a top plan view thereof;
FIG. 3 is a side view thereof;
FIG. 4 is a bottom view thereof;
FIG. 5 is a rear view thereof.



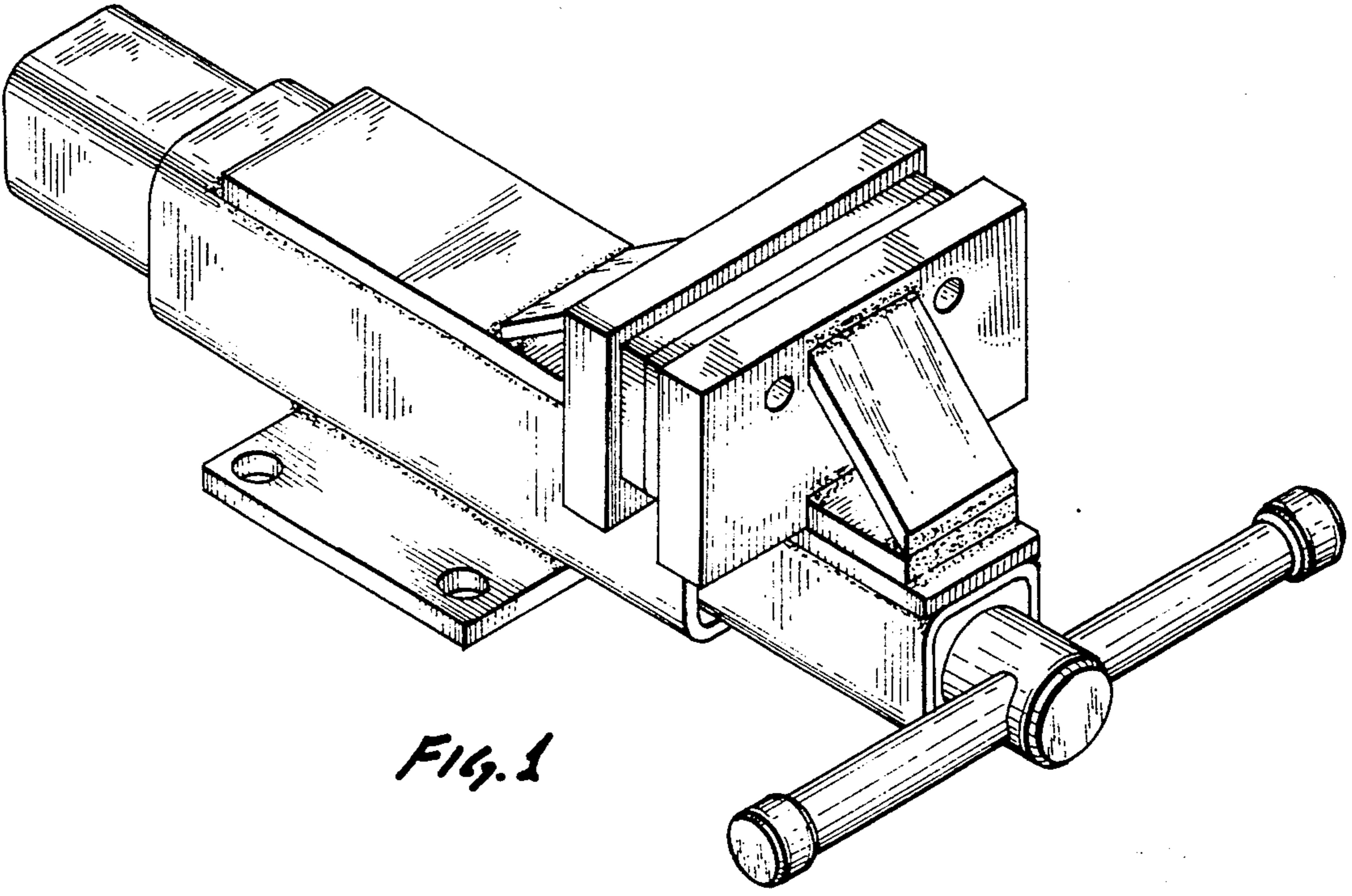


Fig. 1

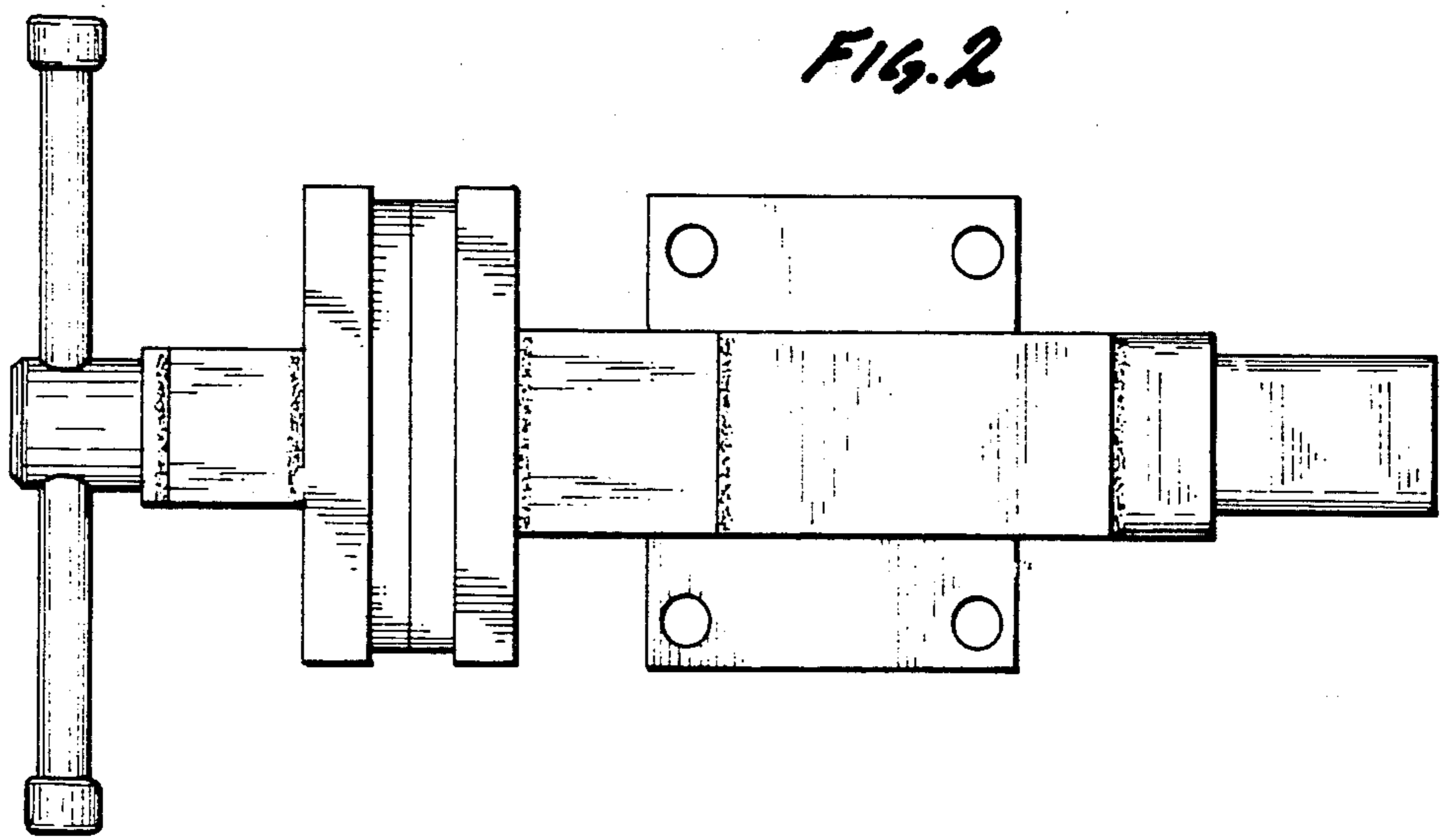


Fig. 2

FIG. 3

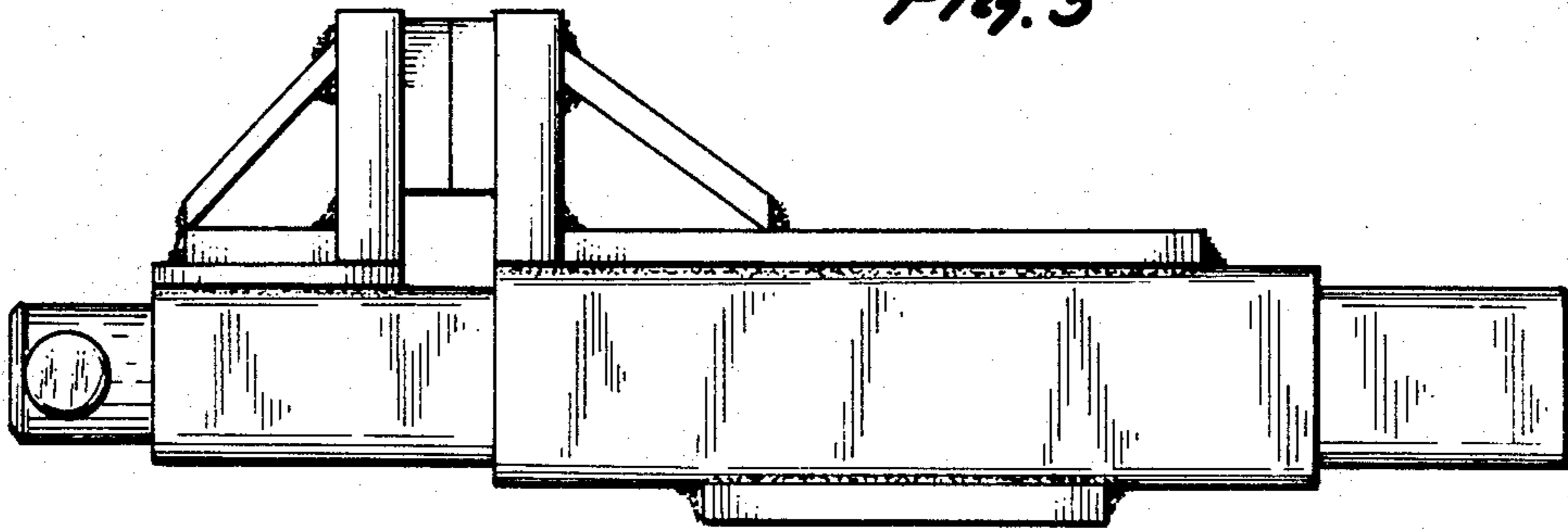


FIG. 4

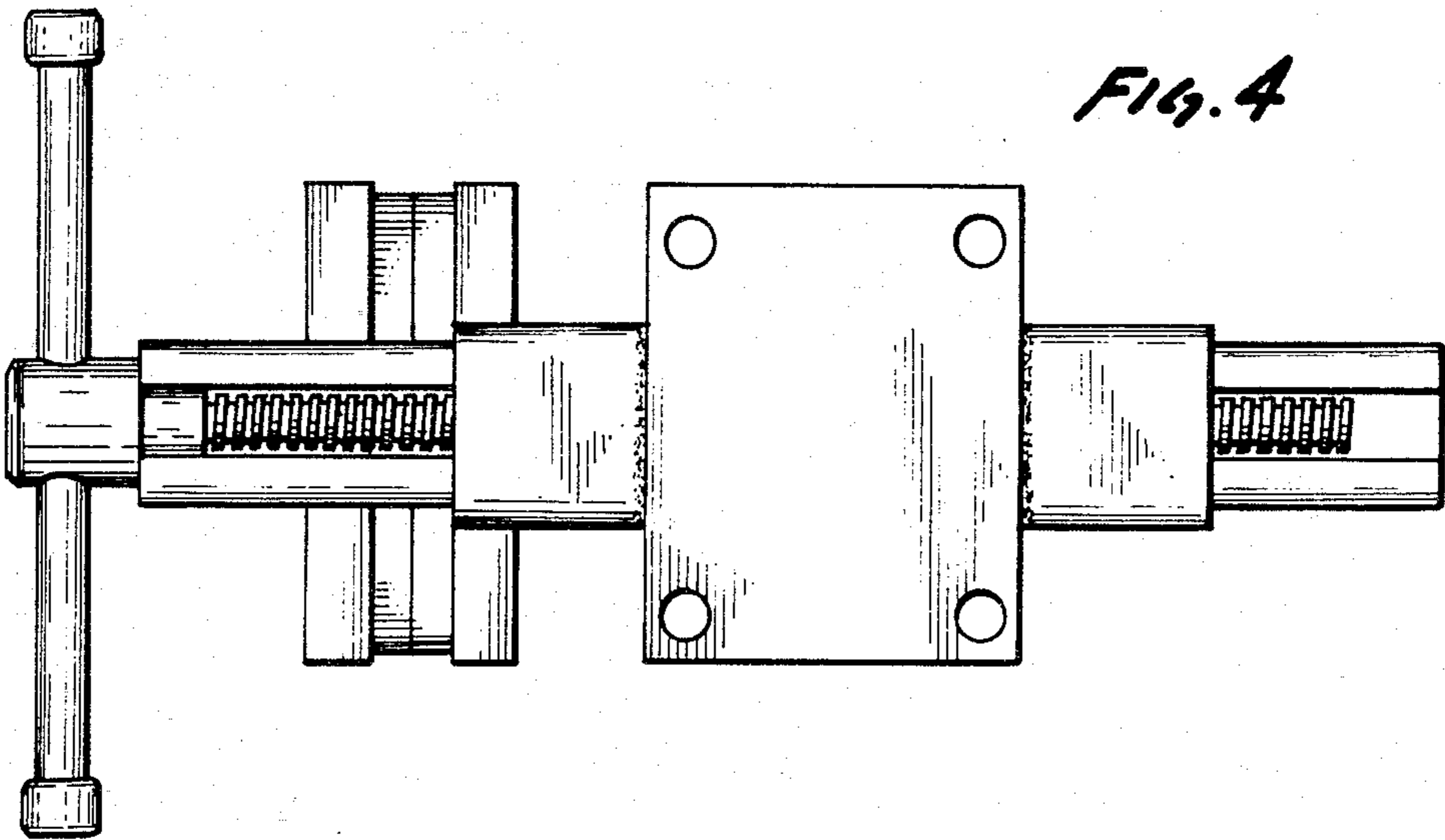


FIG. 5

