

[54] SAW

[76] Inventor: John Siravo, 20 Colfax Ave., Staten Island, N.Y. 10306.

[**] Term: 14 Years

[21] Appl. No.: 511,558

[22] Filed: Jul. 7, 1983

[52] U.S. Cl. D8/66

[58] Field of Search D8/61, 64, 66, 62; 30/388, 390, 391

[56] References Cited

U.S. PATENT DOCUMENTS

D. 198,423	6/1964	Cummins	D8/66
D. 255,417	6/1980	Sakomoto et al.	D8/62
D. 263,744	4/1982	Straub	D8/66
D. 266,222	9/1982	Buscher	D8/61

OTHER PUBLICATIONS

Jarvis Corp, The National Provisioner, 2/20/1960, Saw For Beef And Pork, located left side of page.

Primary Examiner—Wallace R. Burke
Assistant Examiner—Suzanne Gitlin
Attorney, Agent, or Firm—Charles E. Temko

[57] CLAIM

The ornamental design for a saw, substantially as shown and described.

DESCRIPTION

FIG. 1 is a side elevational view of a saw showing my new design;
FIG. 2 is a top plan view thereof;
FIG. 3 is a bottom plan view thereof;
FIG. 4 is a front end elevational view thereof;
FIG. 5 is a rear end elevational view thereof; and
FIG. 6 is a side elevational view thereof, showing the side opposite that seen in FIG. 1.
The electrical cord is shown broken away in FIGS. 1, 2, 3, 5 and 6 for ease of illustration.

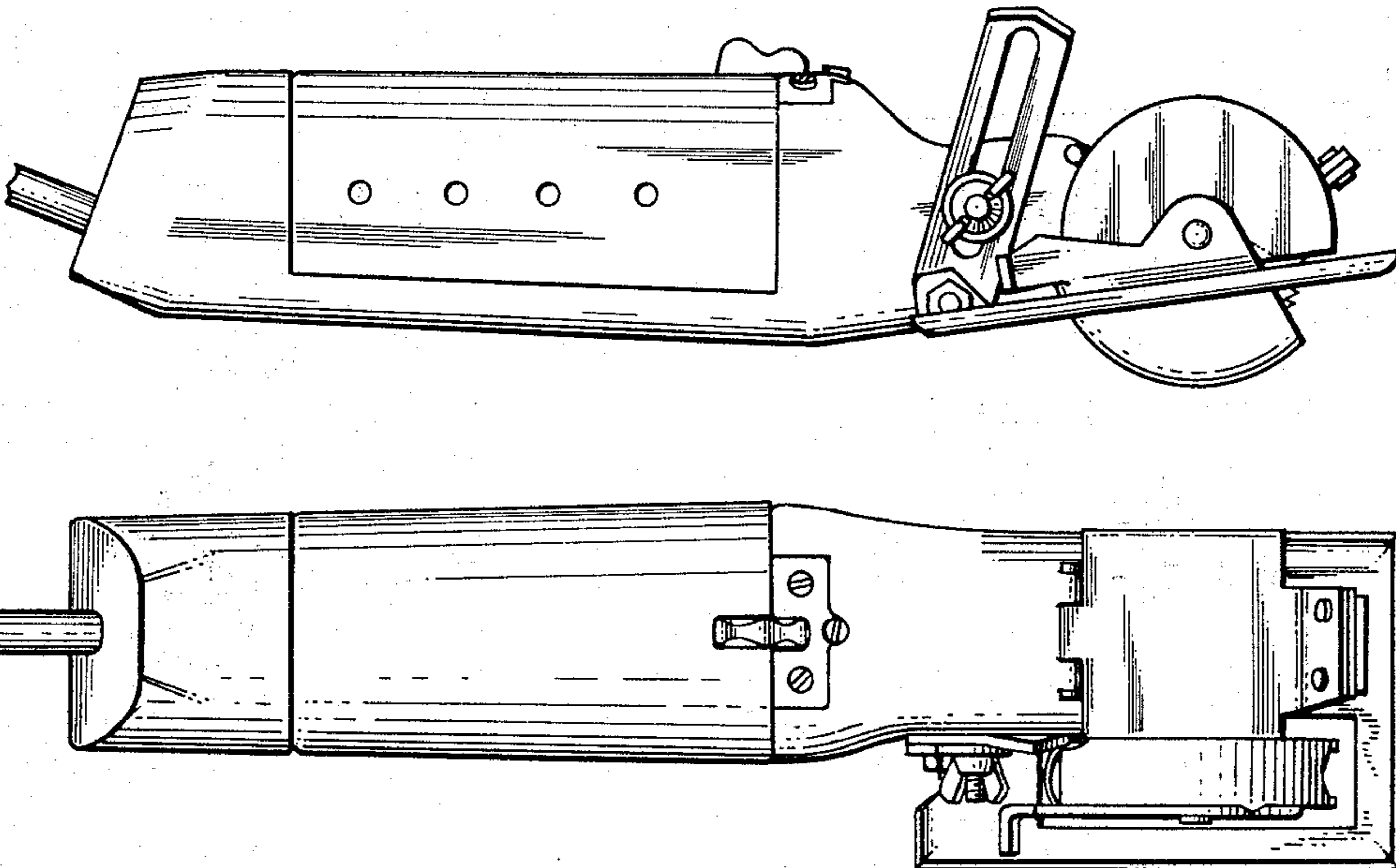


FIG. 1.

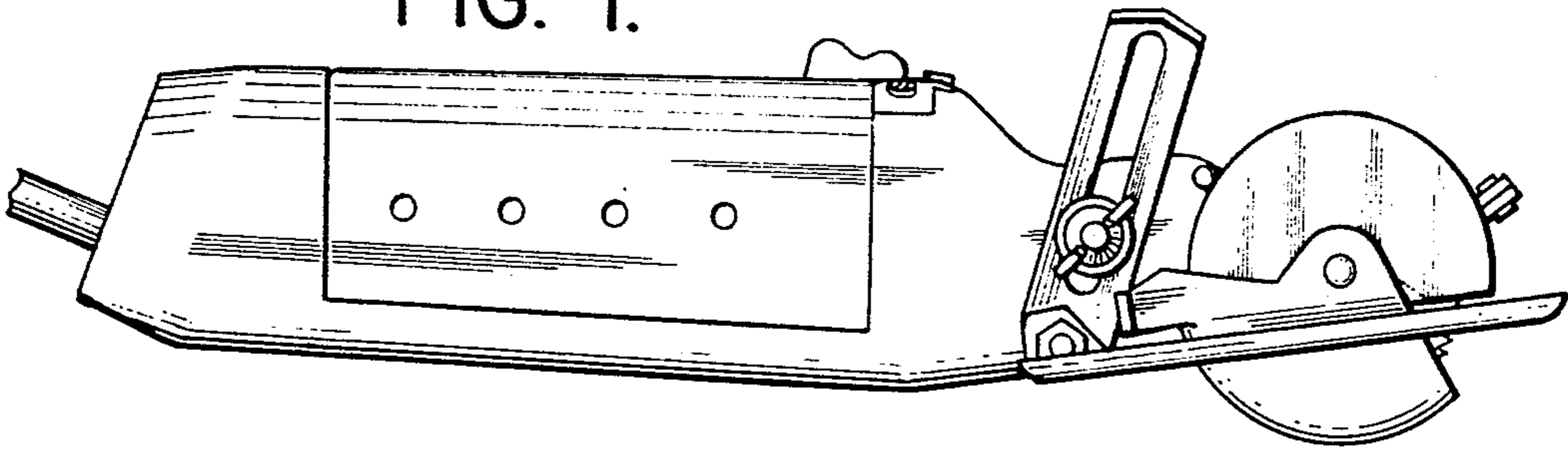


FIG. 2.

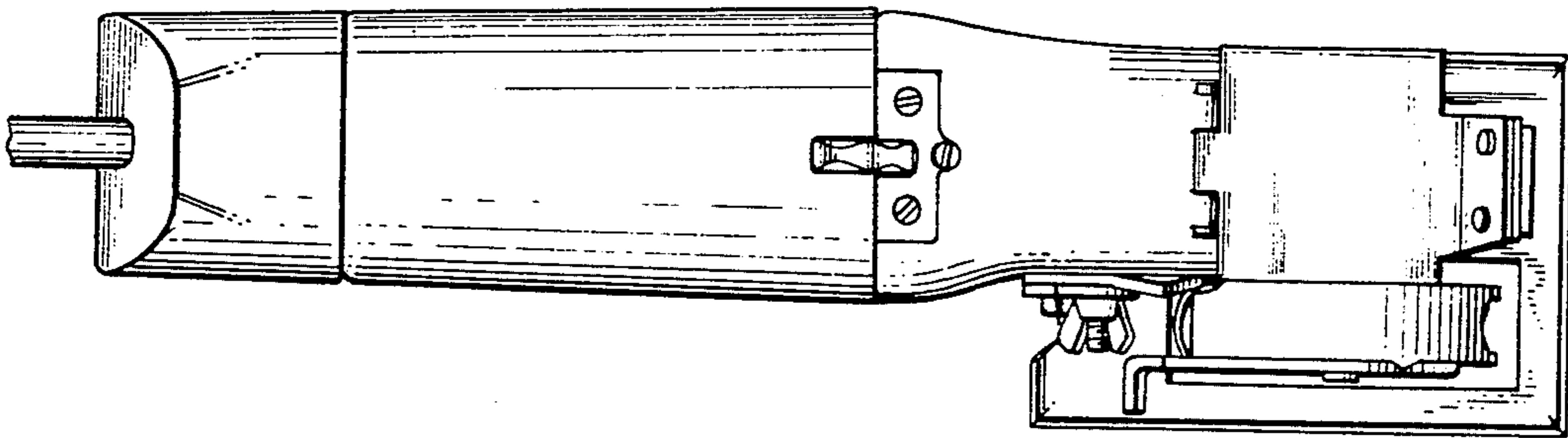


FIG. 3.

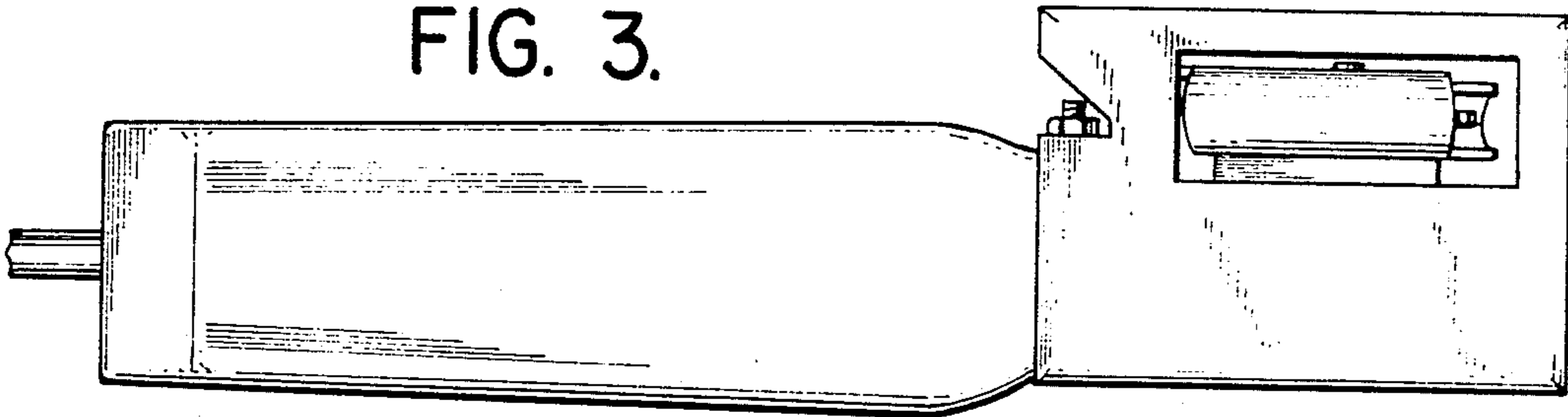


FIG. 4.

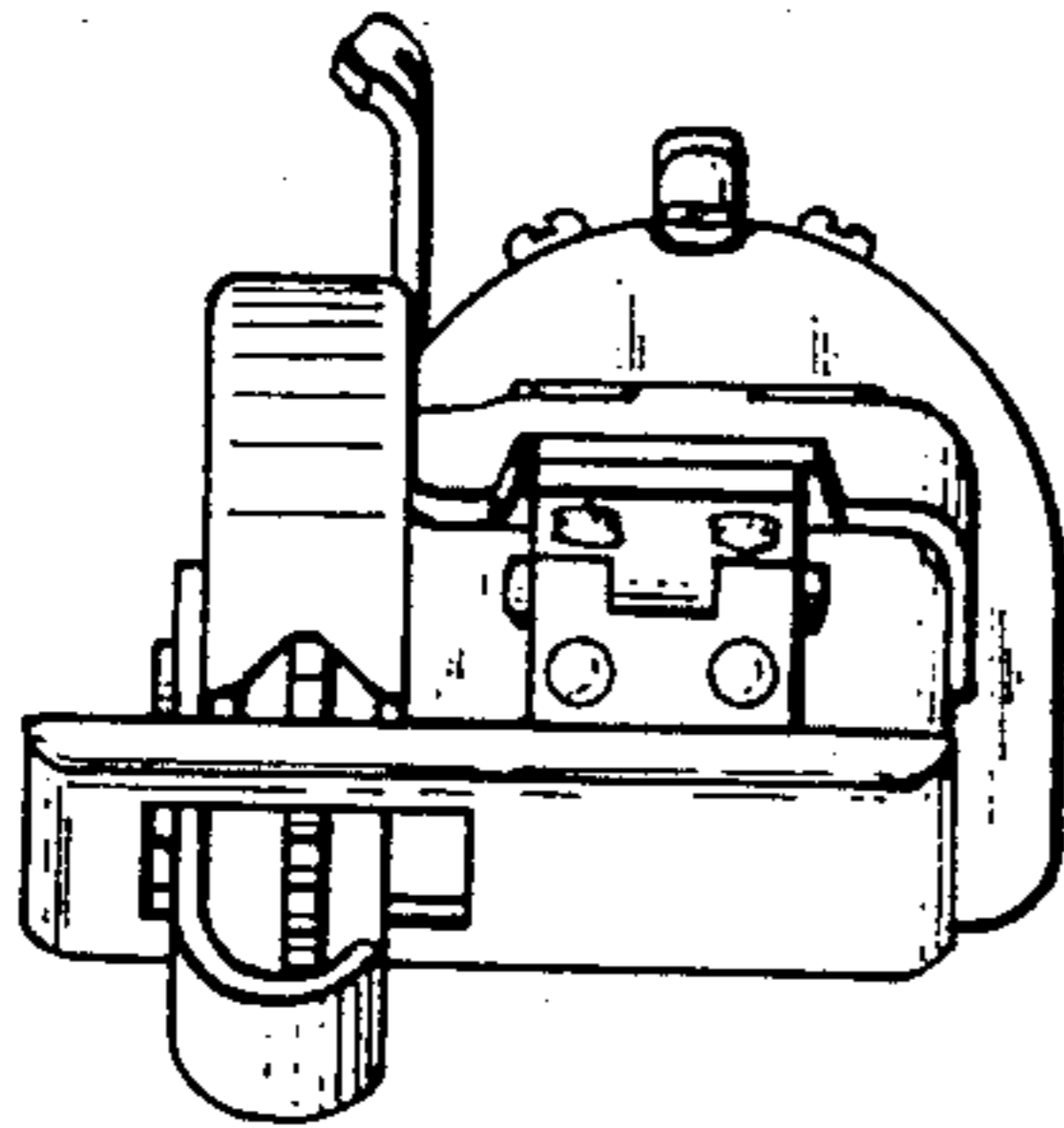


FIG. 5.

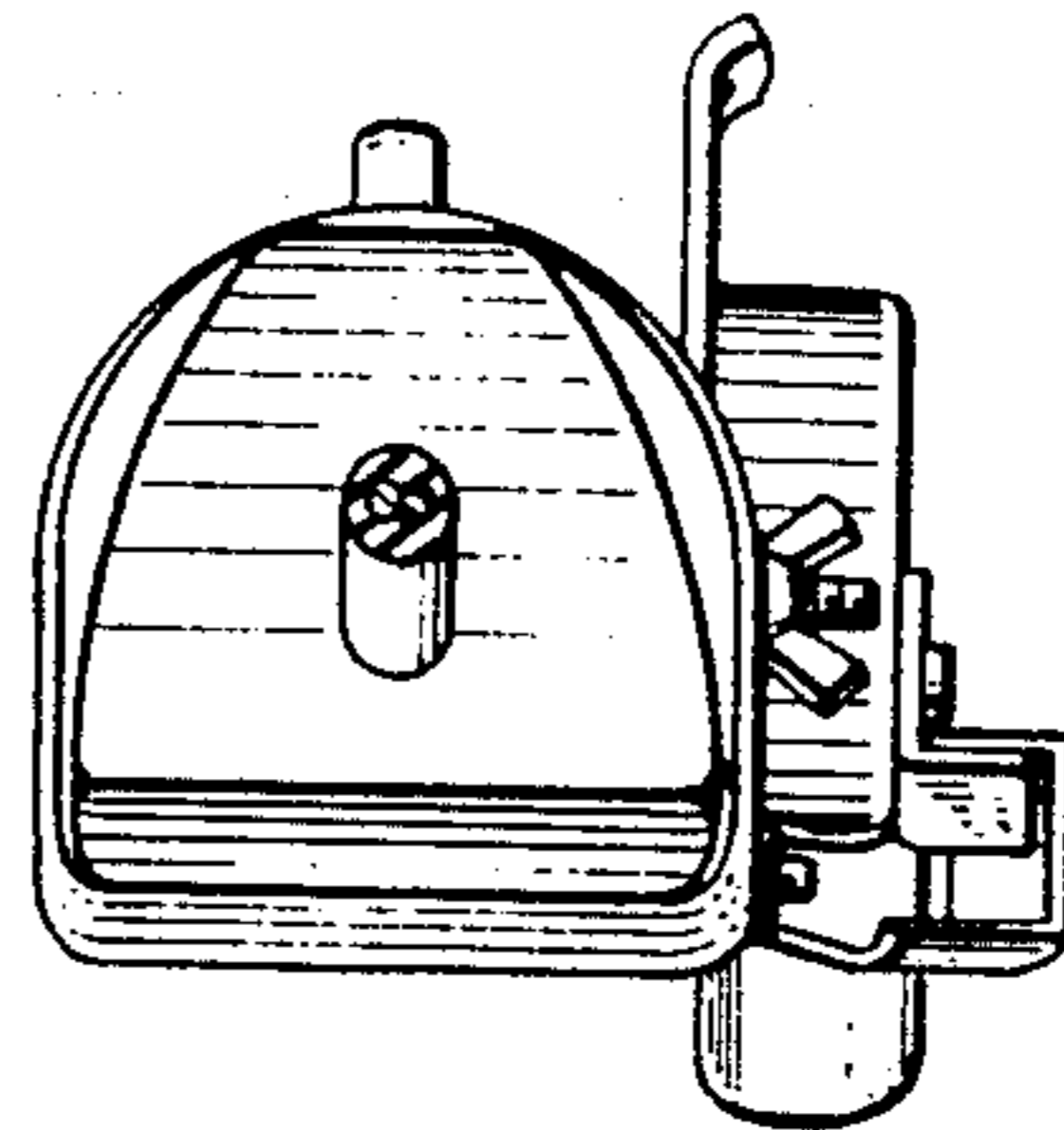


FIG. 6.

