

[54] **COVERED CASSEROLE**

- [75] Inventor: **Donald R. McClelland**, Wooster, Ohio  
 [73] Assignee: **Rubbermaid Incorporated**, Wooster, Ohio  
 [\*\*] Term: **14 Years**  
 [21] Appl. No.: **395,656**  
 [22] Filed: **Jul. 6, 1982**  
 [52] U.S. Cl. .... **D7/18; D7/360**  
 [58] Field of Search ..... **D7/16, 17, 18, 360, D7/356, 357, 402, 403, 1, 354, 40, 391, 392**

[56] **References Cited**

**U.S. PATENT DOCUMENTS**

D. 147,000	6/1947	Wemyss .....	D7/360
D. 174,732	5/1955	Blodgett, Jr. ....	D7/360
D. 183,124	7/1958	Hampshire .....	D7/360
D. 197,575	2/1964	Gulotta .....	D7/40
D. 215,469	9/1969	Gulotta .....	D7/360
D. 233,121	10/1974	Daenen .....	D7/16 X
D. 271,075	10/1983	Daenen et al. ....	D7/391
D. 276,398	11/1984	Conti et al. ....	D7/16

**OTHER PUBLICATIONS**

You're Not An Ordinary Store—pp. 6-9, Corning Glass Works, Corning, New York 14830, Oct. 1978 Items A H

p. 6, Items E M cover p. 7, top panels p. 8, Ribbed Dishes p. 9.  
 Presenting Corning Ware French White—Corning Glass Works, Corning, New York 14830, Sep. 1979 Ribbed Walls On Casserole Dishes, Round And Oval Dishes. We Keep It Hot; We Keep It Cold; We Serve It In Style—Thermo—Serve, Anoka, Minn. 2939-6th Avenue N. 55303—Jan. 1981 Zip Code 55303 p. 9 Item F 2qt. Dish/Lid & Aluminum Pan.

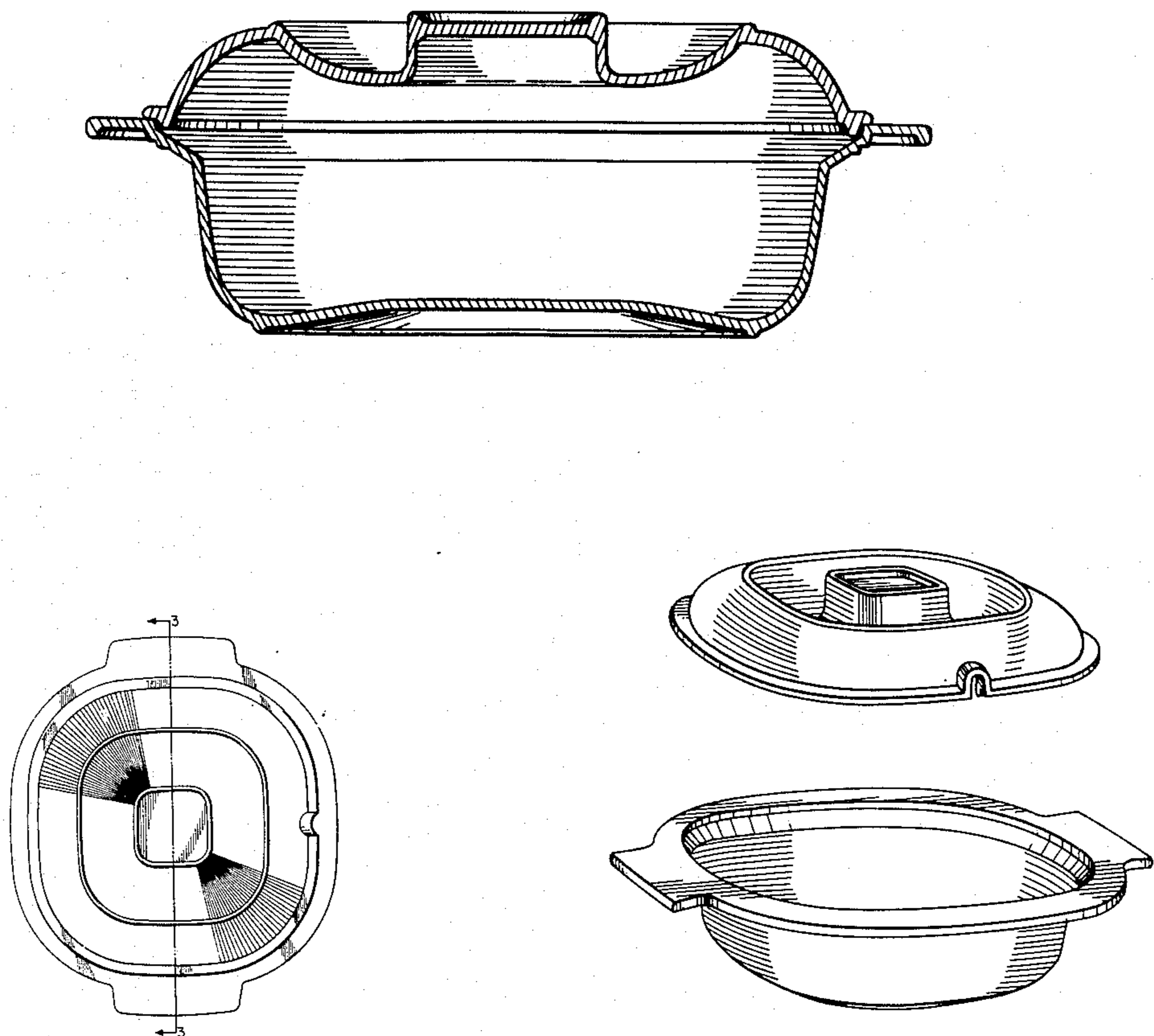
*Primary Examiner*—Winifred E. Herrmann  
*Attorney, Agent, or Firm*—Renner, Kenner, Greive & Bobak

[57] **CLAIM**

The ornamental design for a covered casserole, as shown.

**DESCRIPTION**

FIG. 1 is an exploded perspective view of a covered casserole showing my new design;  
 FIG. 2 is an enlarged perspective view with the covered casserole in assembled position;  
 FIG. 3 is a cross-sectional view thereof taken substantially along line 3—3 of FIG. 5;  
 FIG. 4 is a side elevational view thereof;  
 FIG. 5 is a top plan view thereof;  
 FIG. 6 is a bottom plan view thereof.



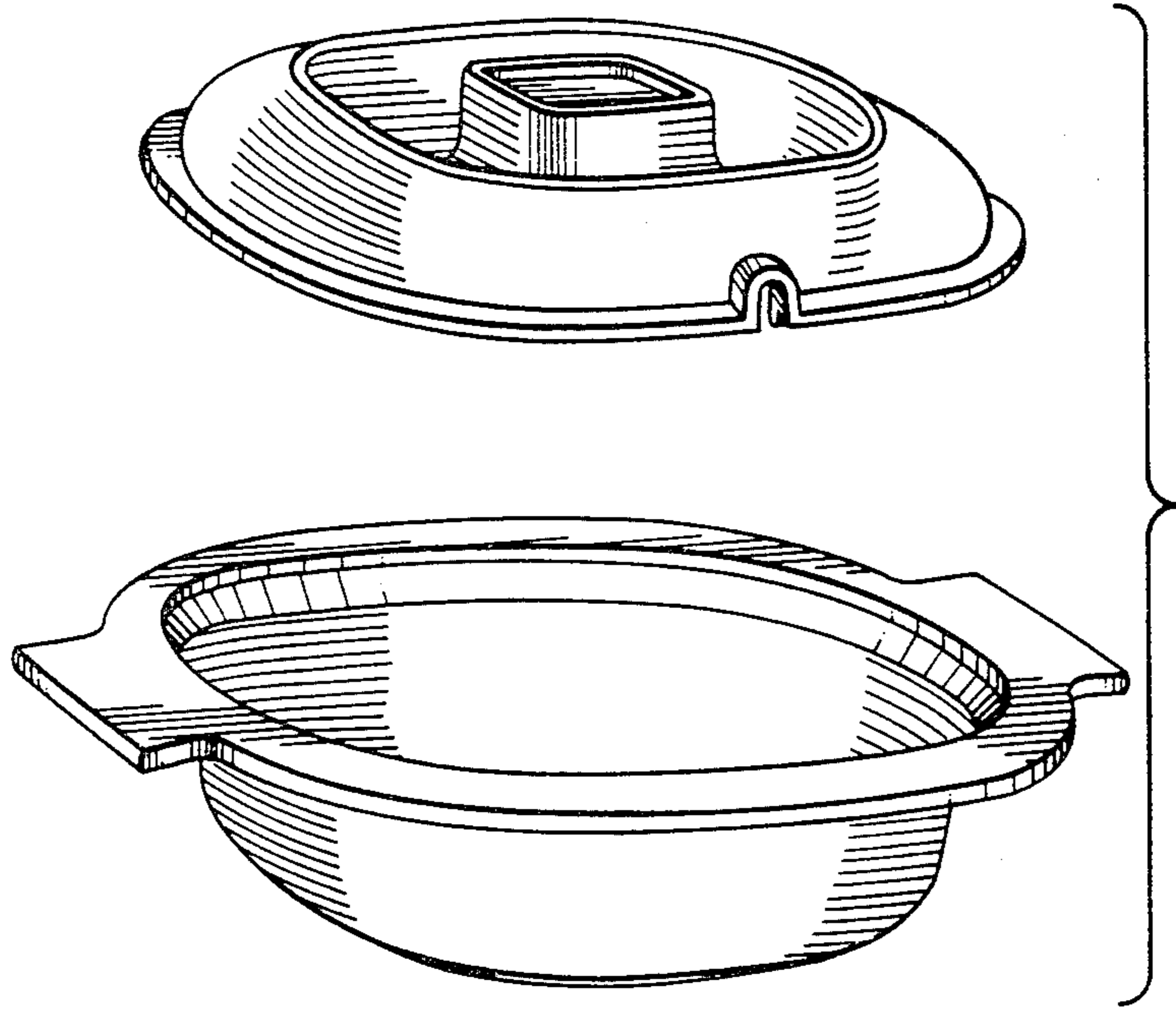


FIG. 1

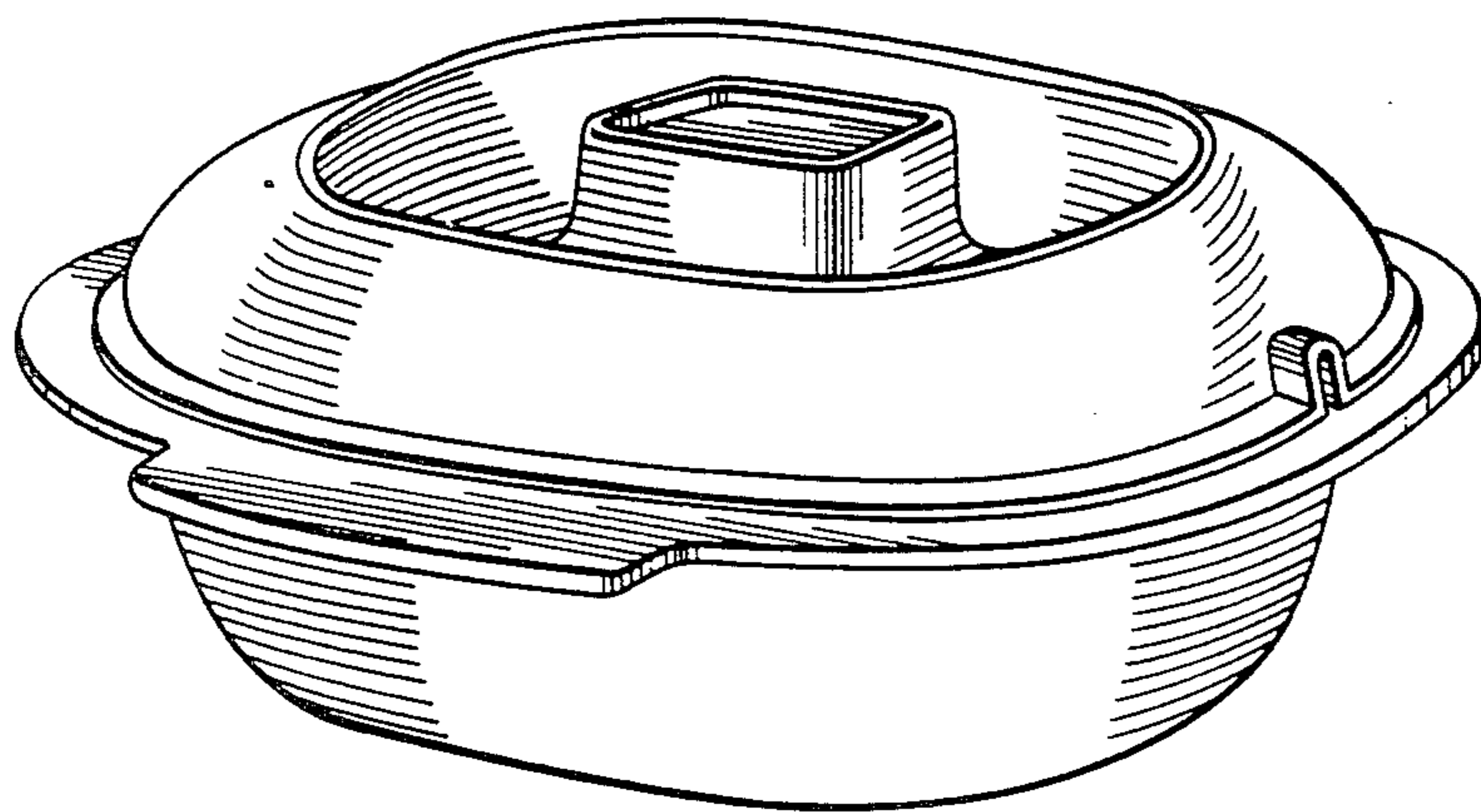


FIG. 2

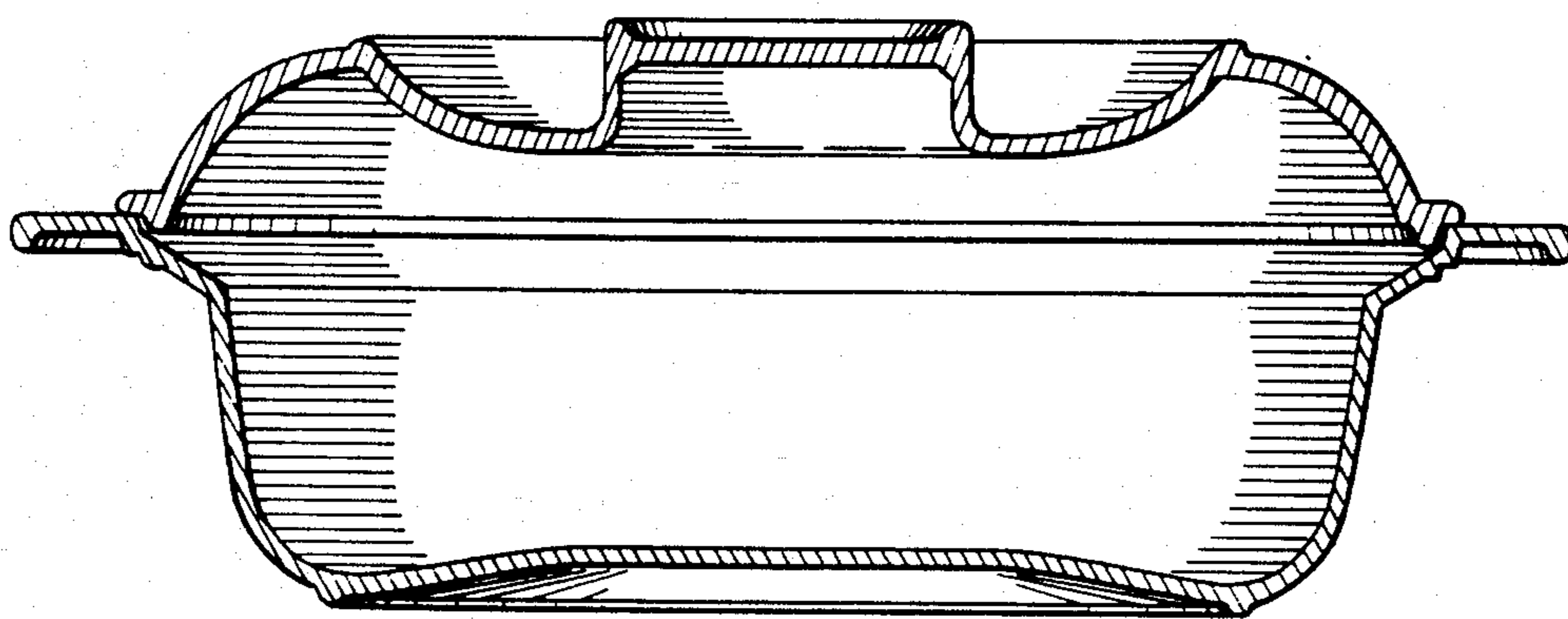


FIG. 3

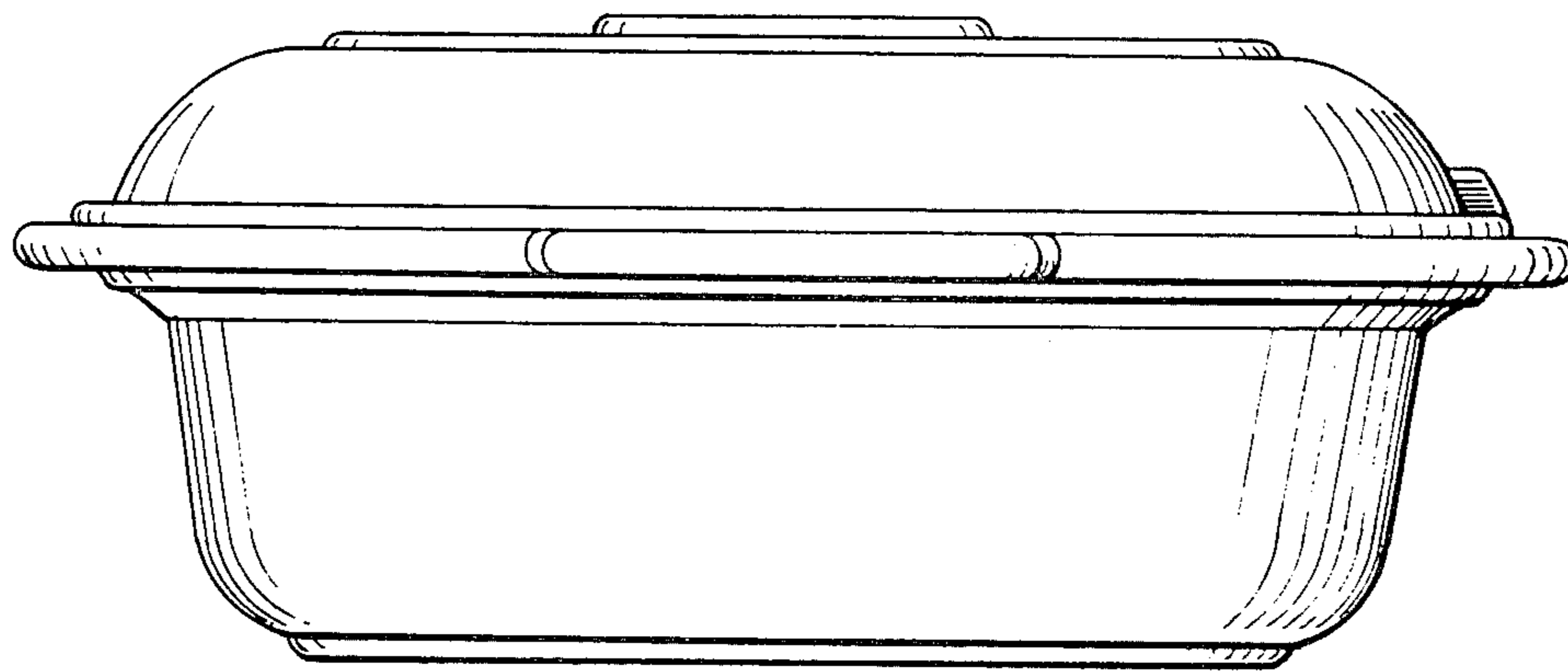


FIG. 4



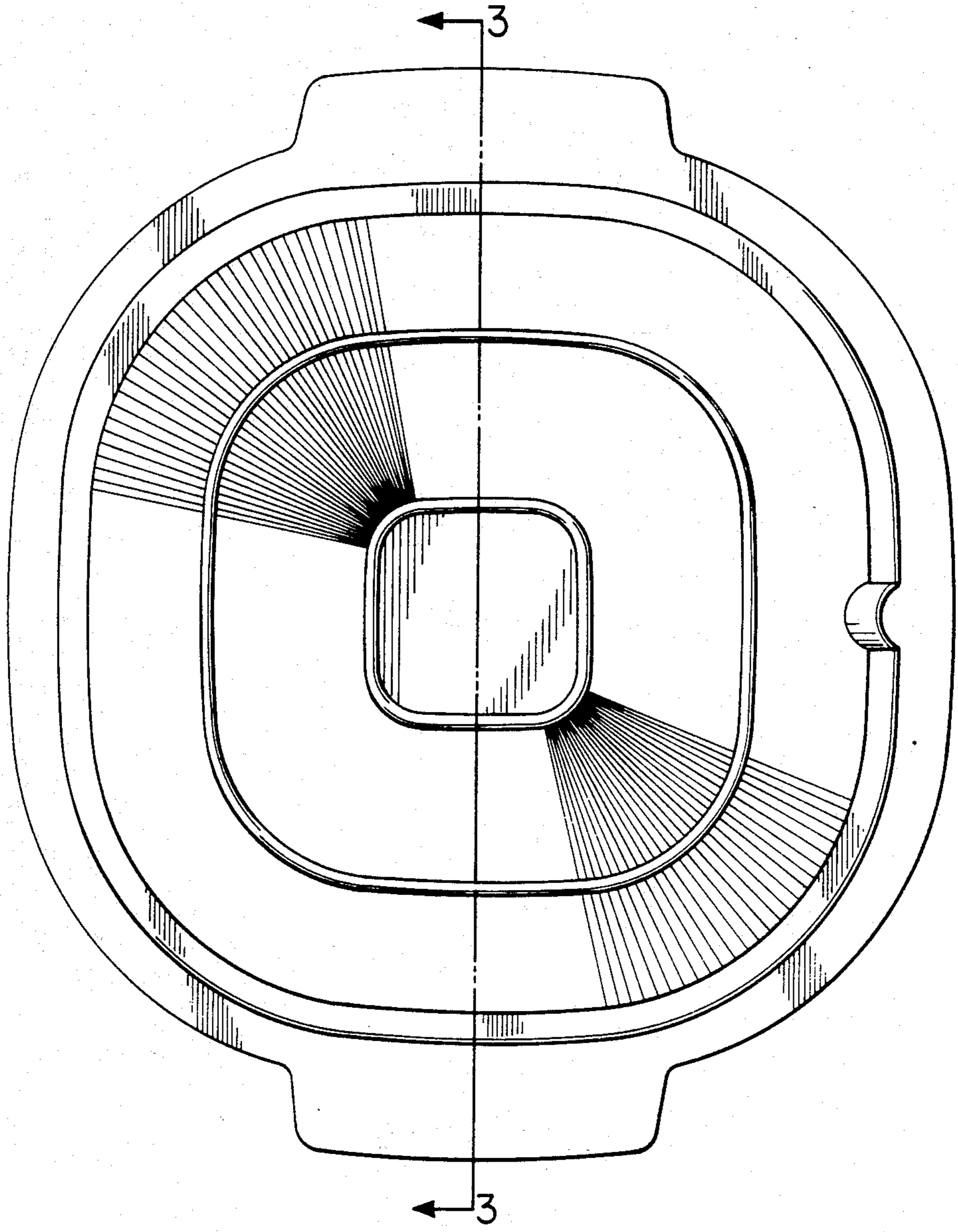


FIG. 5

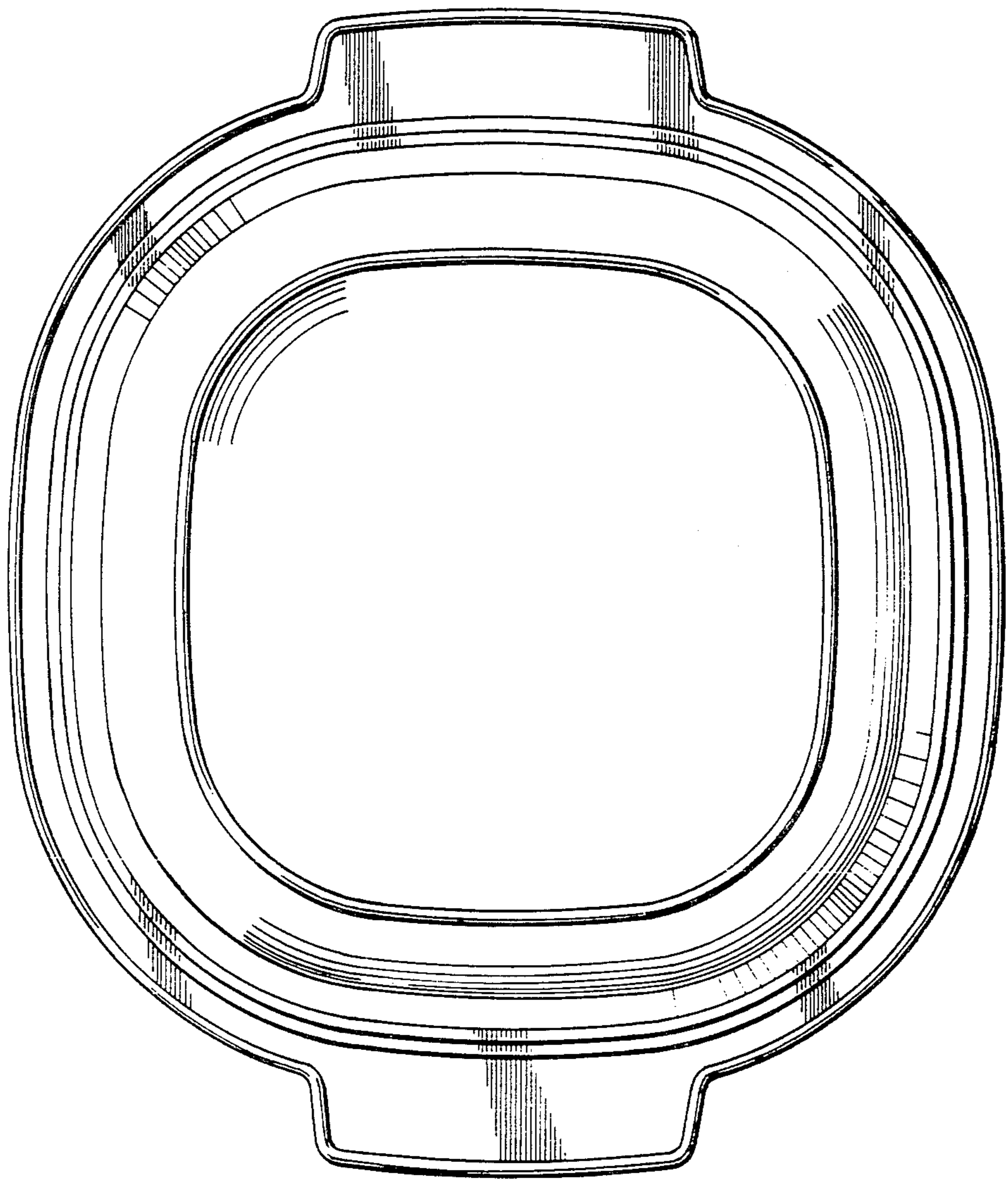


FIG. 6