

[54] DECORATOR ROD PULLEY HOUSING

[75] Inventor: Ivan A. Smith, Cheltenham, Australia

[73] Assignee: Village Nominees Pty. Ltd., Windsor, Australia

[\*\*] Term: 14 Years

[21] Appl. No.: 464,793

[22] Filed: Feb. 7, 1983

[30] Foreign Application Priority Data

Aug. 5, 1982 [AU] Australia ..... 1175/82

[52] U.S. Cl. .... D6/580; D25/74

[58] Field of Search ..... D6/580; D8/360, 373, D8/366, 363, 377, 376, 371; D25/74, 76; 16/94

[56] References Cited

U.S. PATENT DOCUMENTS

- D. 142,540 10/1945 White ..... D8/366
- D. 162,842 4/1951 Klein ..... D25/74
- D. 228,453 9/1973 Greer ..... D25/74

- D. 233,626 11/1974 Williams ..... D25/76
- D. 244,577 6/1977 Glumac ..... D8/373

OTHER PUBLICATIONS

Dahlstrom Metal Mouldings and Shapes, Catalog No. 12, published 1969, p. 131, No. 2097 and 2051.

Primary Examiner—Bernard Ansher  
Assistant Examiner—Theodore M. Shooman  
Attorney, Agent, or Firm—Klarquist, Sparkman, Campbell, Leigh & Whinston

[57] CLAIM

The ornamental design for a decorator rod pulley housing, as shown and described.

DESCRIPTION

FIG. 1 is a front perspective view of a decorator rod pulley housing showing my new design; FIG. 2 is a rear perspective view thereof; FIG. 3 is a section taken along line 3—3 of FIG. 2; FIG. 4 is a left side elevation view thereof, the right side elevation view being a mirror image; and FIG. 5 is a top plan view thereof.

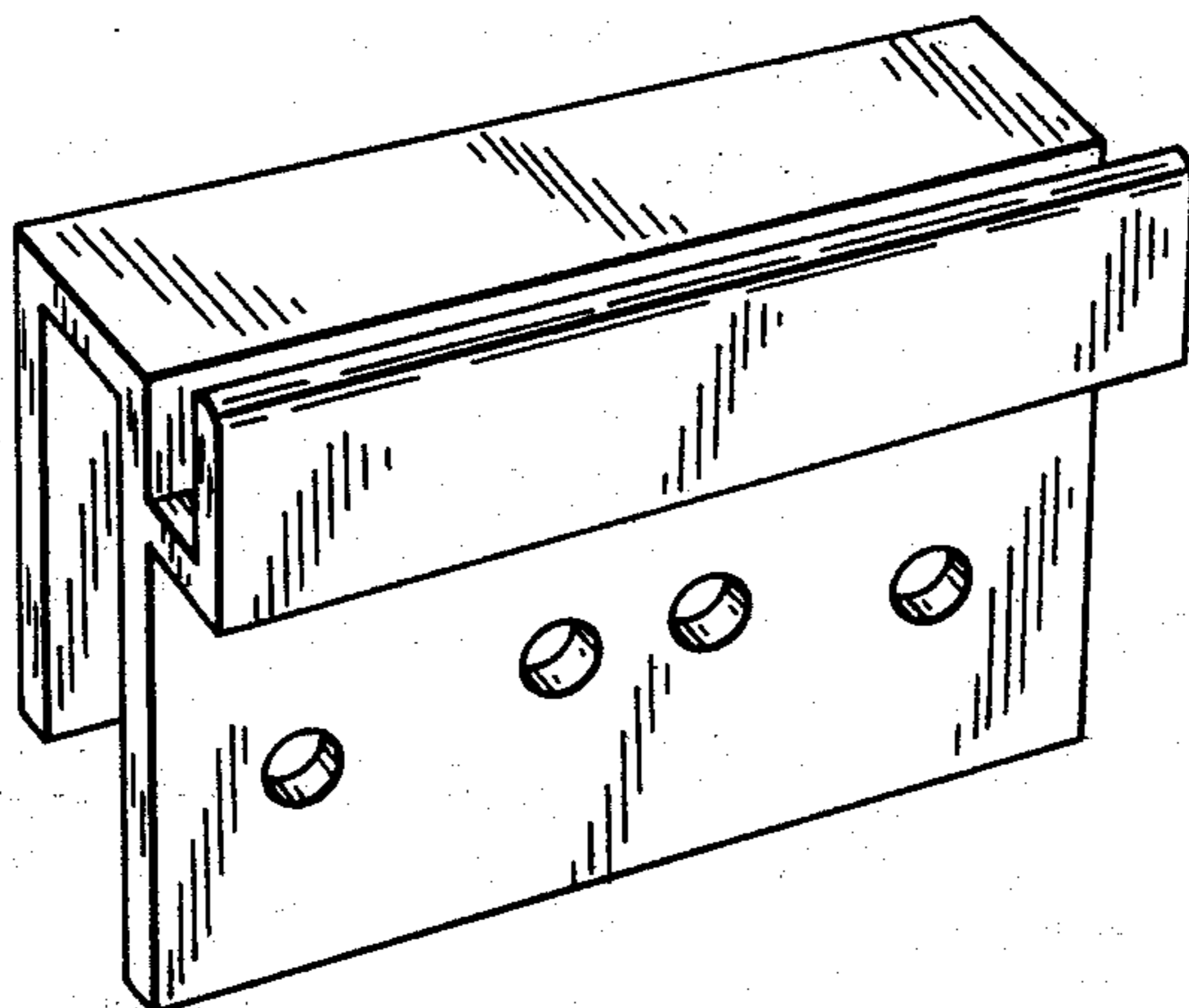


FIG. 1

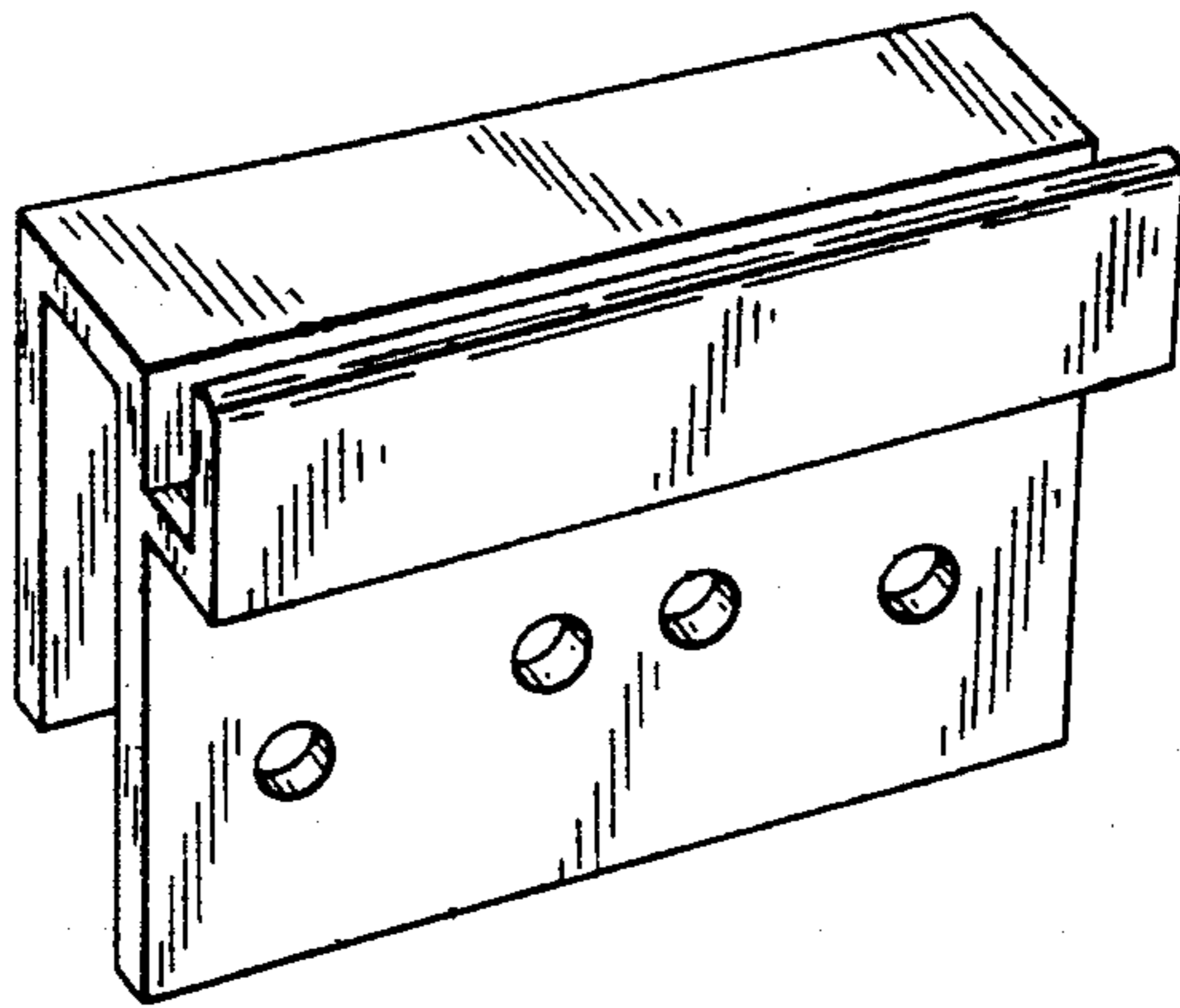


FIG. 2

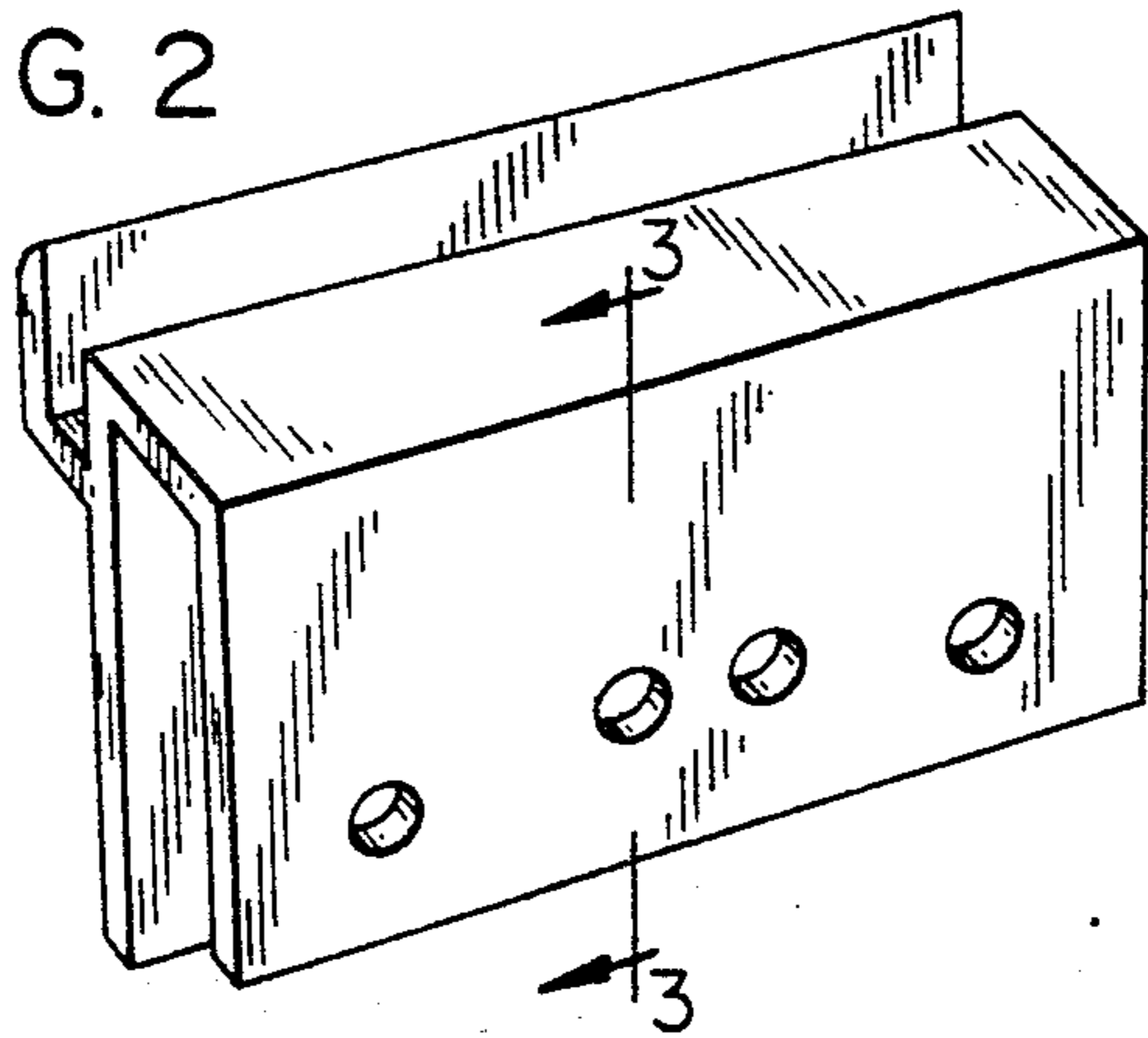


FIG. 3

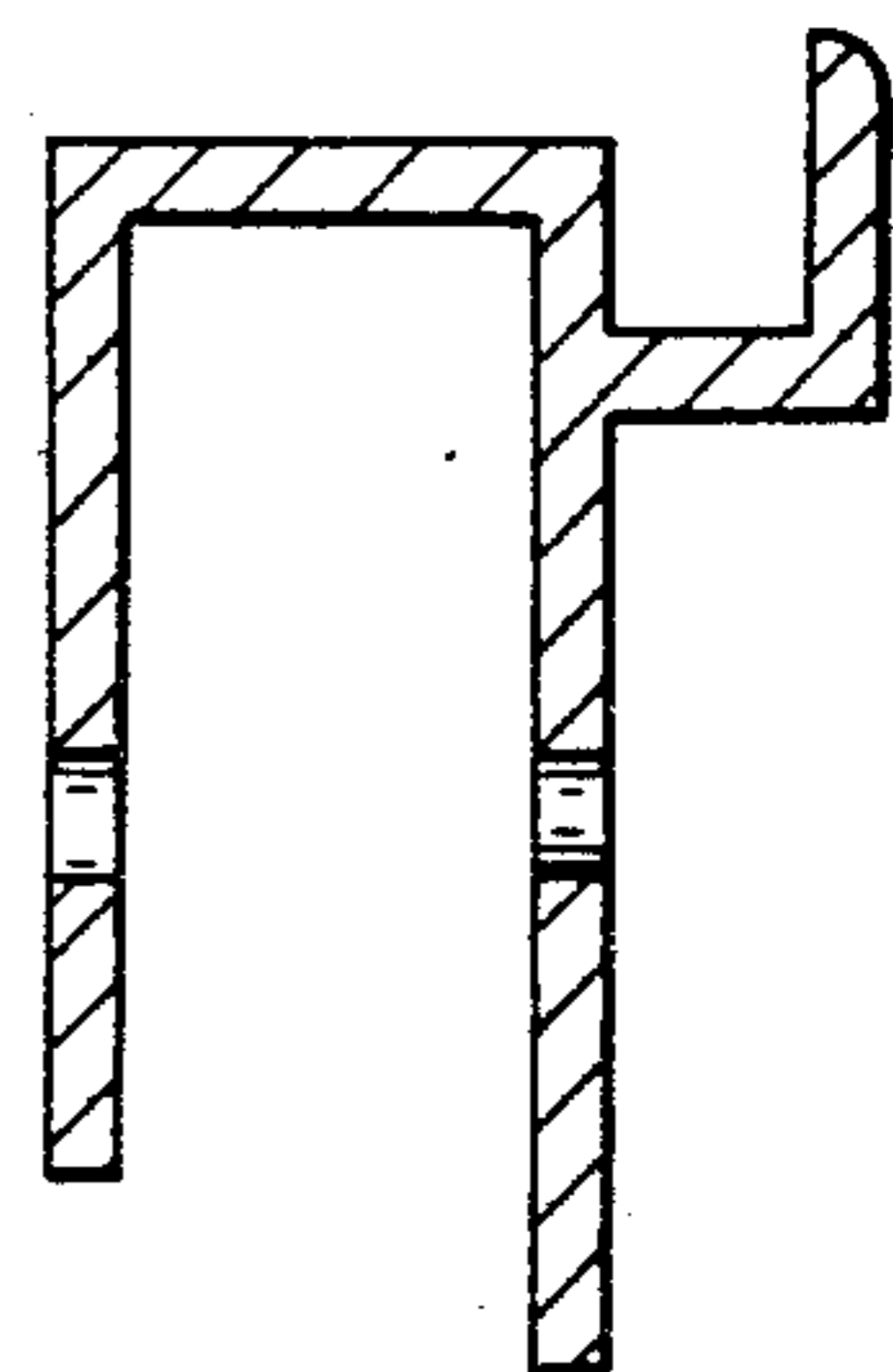


FIG. 4

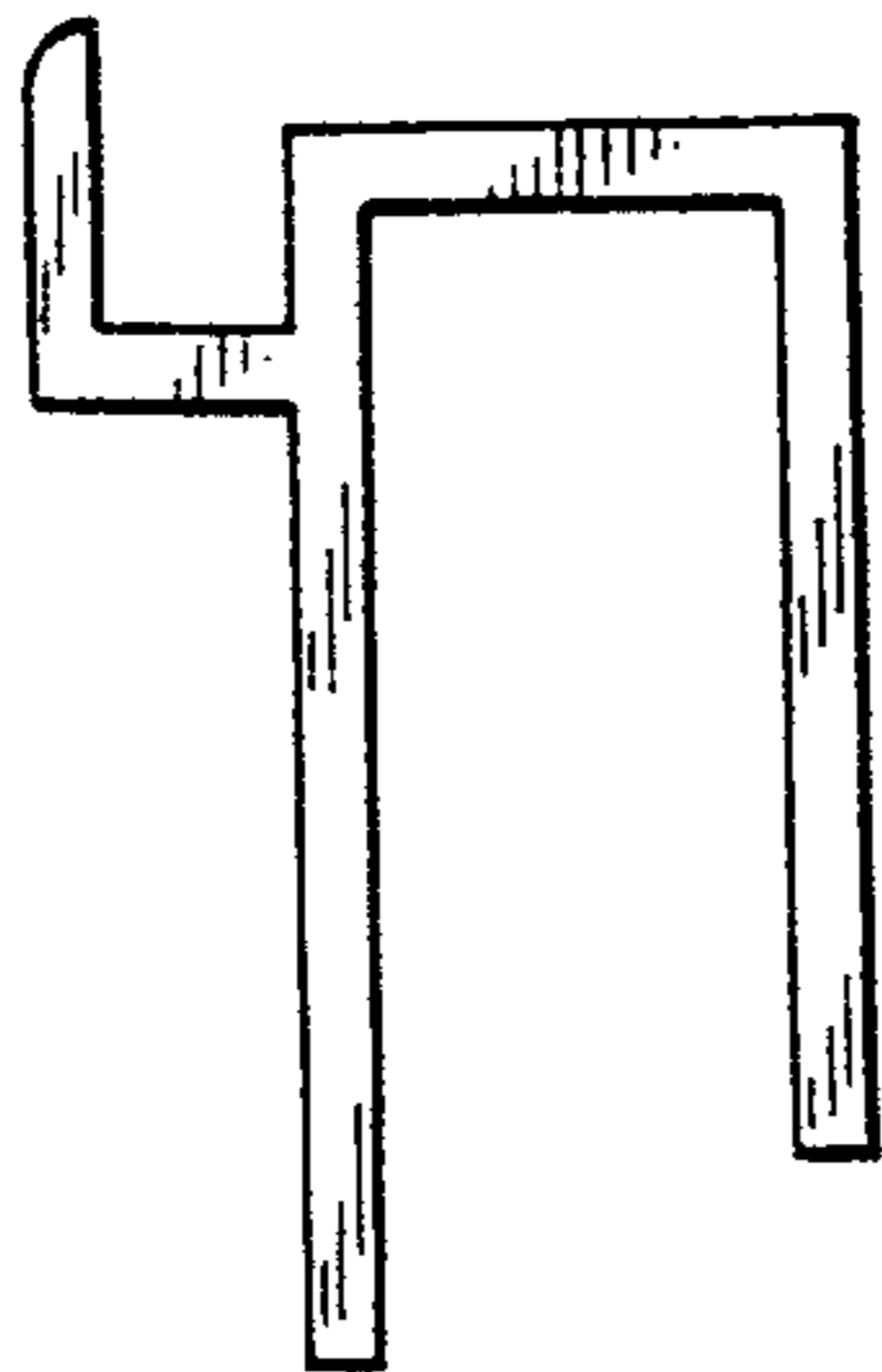


FIG. 5

