

[54] SUPPORT FRAME FOR A COMBINED SEAT AND TABLE UNIT

[76] Inventor: Scott D. Crowe, 45 Jody La., Camarillo, Calif. 93010

[**] Term: 14 Years

[21] Appl. No.: 474,786

[22] Filed: Mar. 14, 1983

[52] U.S. Cl. D6/491

[58] Field of Search D6/334, 335; 297/157

[56] References Cited

U.S. PATENT DOCUMENTS

- D. 196,555 10/1963 Berry D6/337
- D. 235,394 6/1975 Ruth D6/337
- D. 265,787 8/1982 Berquist D6/337 X
- D. 266,376 10/1982 Musgrove D6/337

OTHER PUBLICATIONS

Parisi Incorporated, Seating Unit No. 2W-2224, prior art submitted by applicant.

Primary Examiner—Bruce W. Dunkins
Attorney, Agent, or Firm—Edward J. DaRin

[57] CLAIM

The ornamental design for a support frame for a combined seat and table unit, substantially as shown and described.

DESCRIPTION

FIG. 1 is a front perspective view of a support frame for a combined seat and table showing my new design;
 FIG. 2 is a top plan view thereof;
 FIG. 3 is a front elevational view thereof;
 FIG. 4 is a rear elevational view thereof;
 FIG. 5 is a left side end elevational view thereof, as viewed in FIG. 1; and
 FIG. 6 is a right side end elevational view thereof; as viewed in FIG. 1.

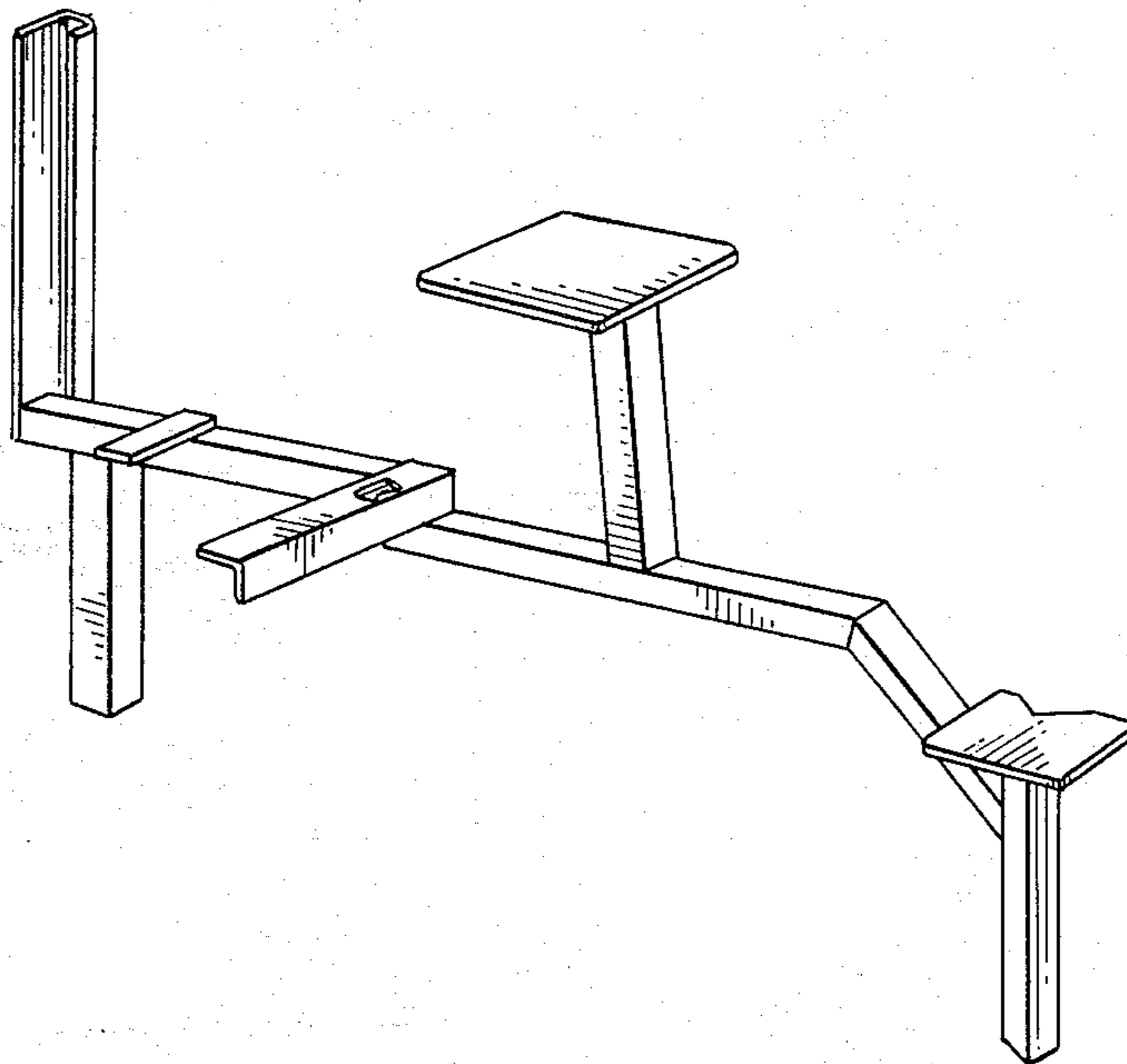


FIG. 1.

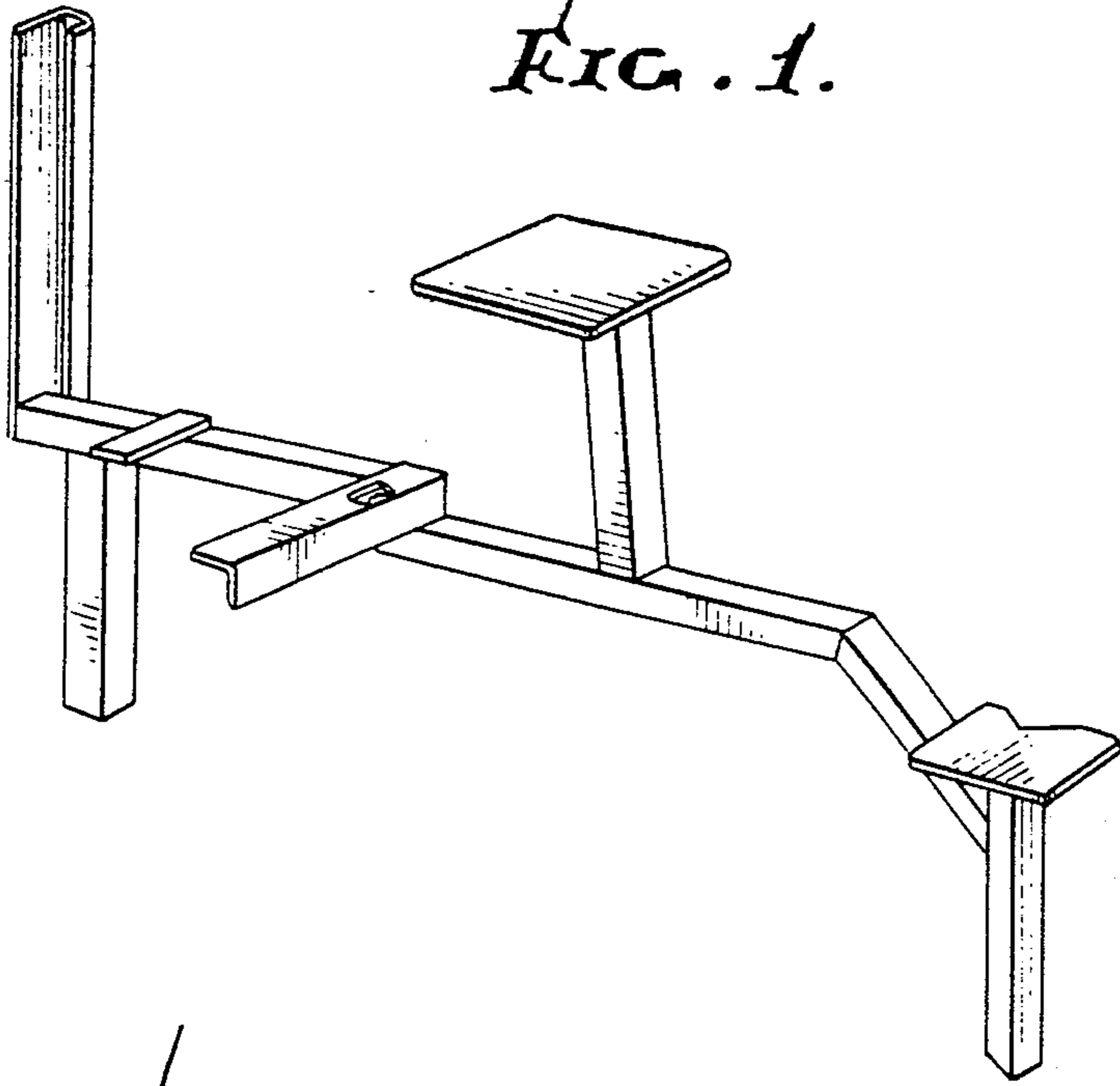


FIG. 2.

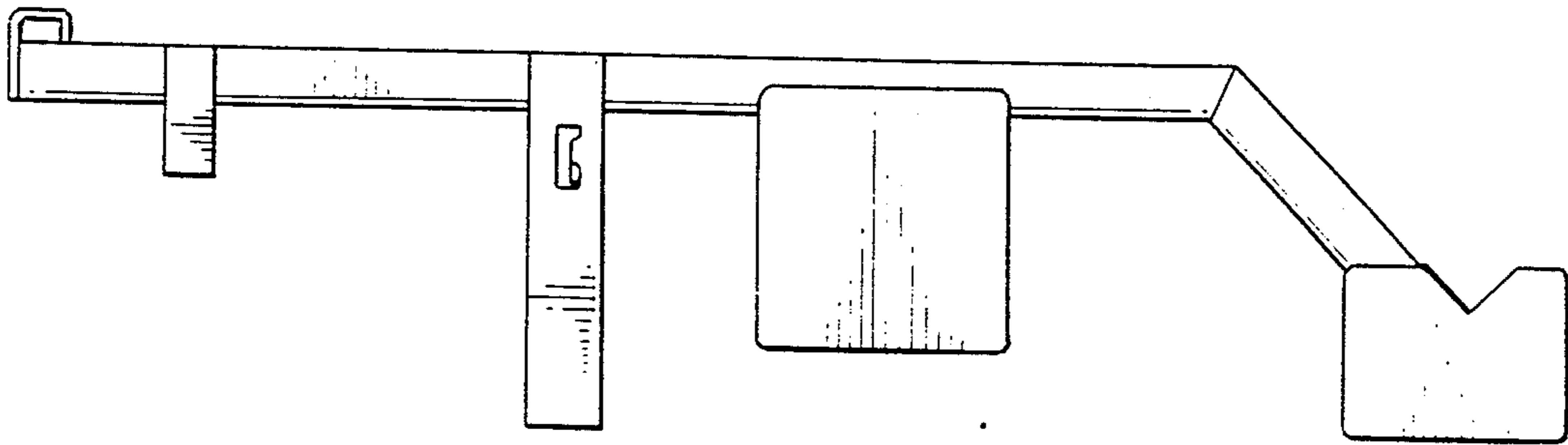


FIG. 3.

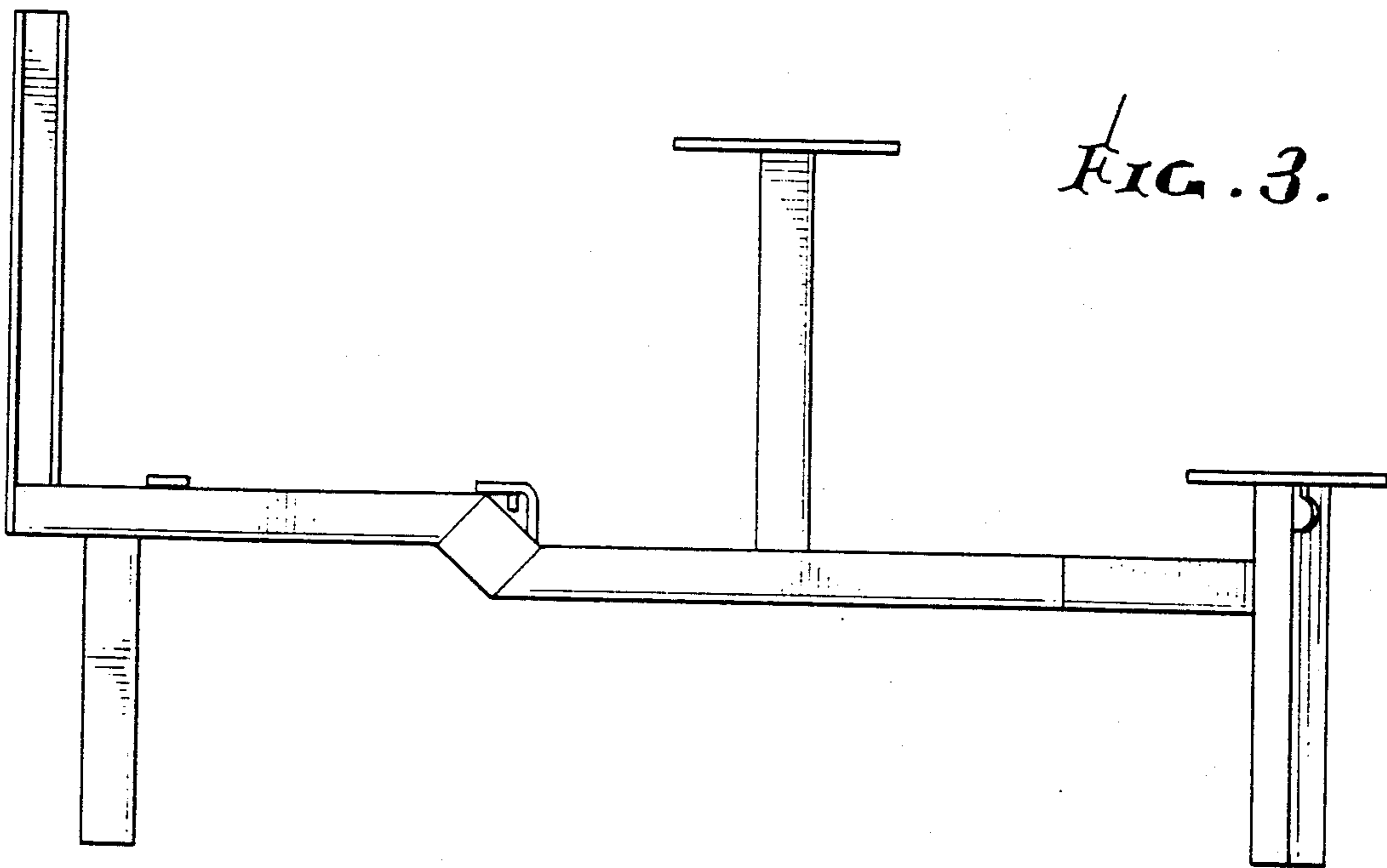


FIG. 4.

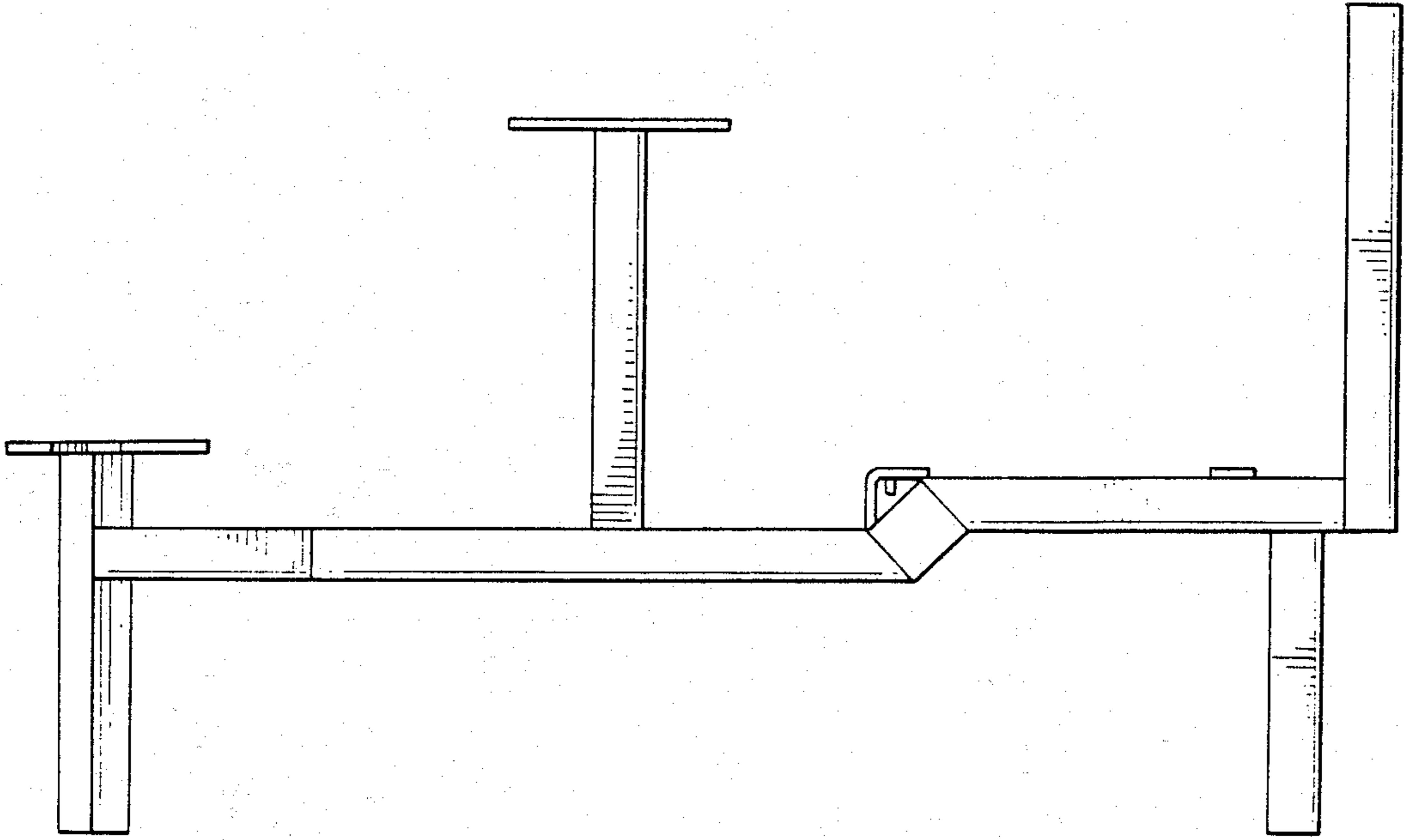


FIG. 5.

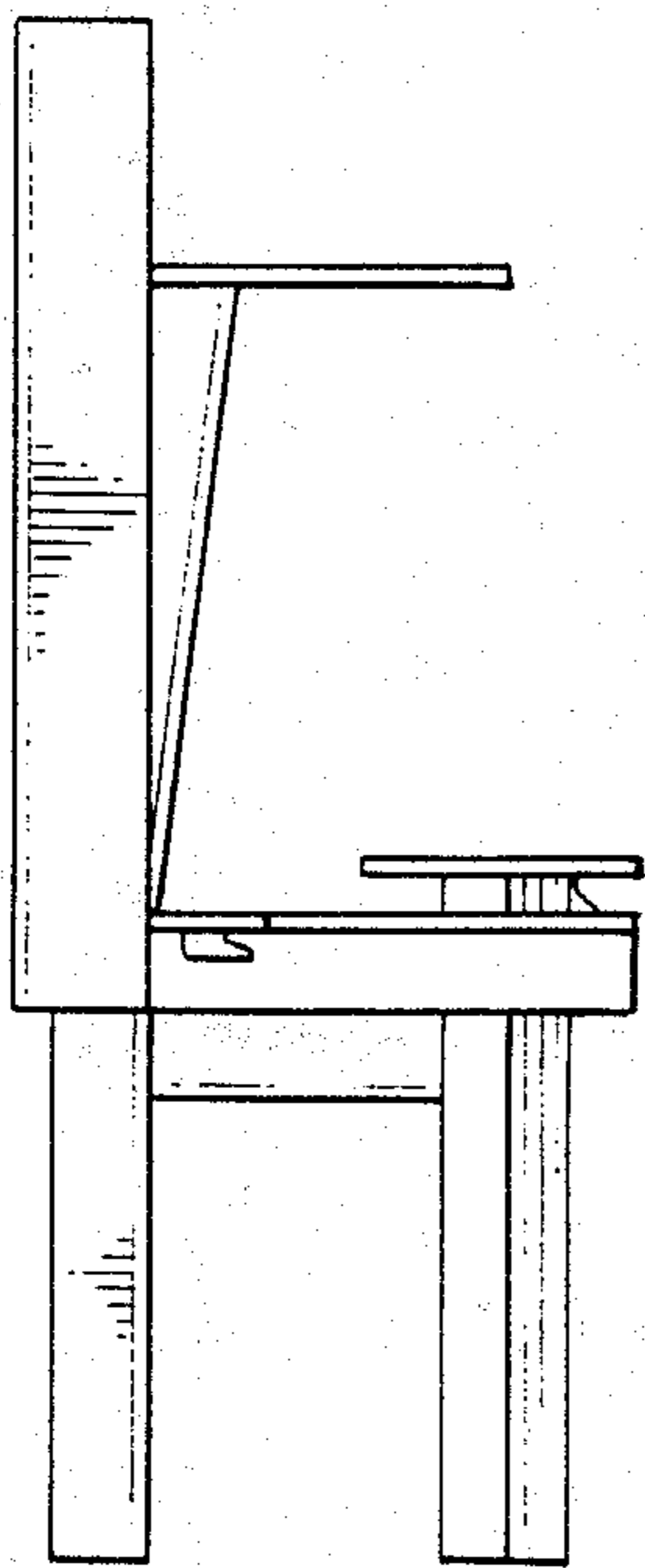


FIG. 6.

