

[54] **UPRIGHT MEMBER FOR THE MODULAR ASSEMBLY OF AN EXHIBITION STALL**

[75] **Inventor: Harry Glück, Vienna, Austria**

[73] **Assignee: Ellesse International S.p.A., Ellera Umbra, Italy**

[**] **Term: 14 Years**

[21] **Appl. No.: 687,259**

[22] **Filed: Dec. 28, 1984**

Related U.S. Application Data

[62] **Division of Ser. No. 434,356, Oct. 14, 1982.**

[52] **U.S. Cl. D6/491**

[58] **Field of Search D6/332, 491; 211/86, 211/94.5, 101, 105.1, 148, 174, 183, 184; 403/2, 170, 172**

[56] **References Cited**

U.S. PATENT DOCUMENTS

D. 228,738	10/1973	Albrizzi	D6/491 X
D. 246,323	11/1977	Kirk	D6/332 X
D. 270,883	10/1983	Hultberg	D6/491
4,012,153	3/1977	Pidgeon	403/170
4,023,913	5/1977	Berkowitz	403/172 X
4,172,334	10/1979	Nielsen	D6/332 X

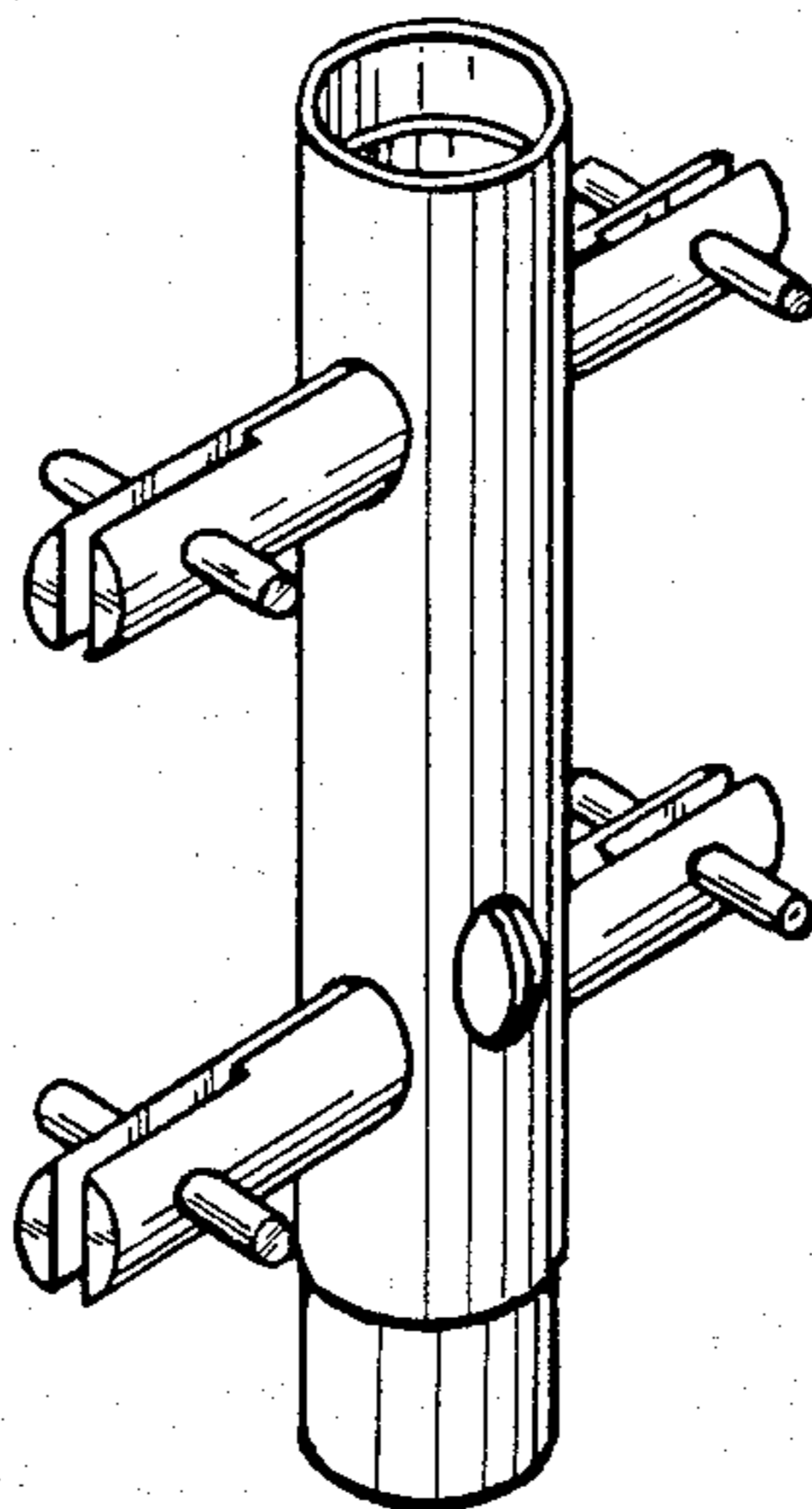
Primary Examiner—Bruce W. Dunkins

[57] **CLAIM**

The ornamental design for an upright member for the modular assembly of an exhibition stall, substantially as shown and described.

DESCRIPTION

FIG. 1 is a front elevational view of an upright member for the modular assembly of an exhibition stall according to my new design; and, FIG. 2 is a side elevational view thereof; and, FIG. 3 is a top plan view thereof; and, FIG. 4 is a perspective view thereof.



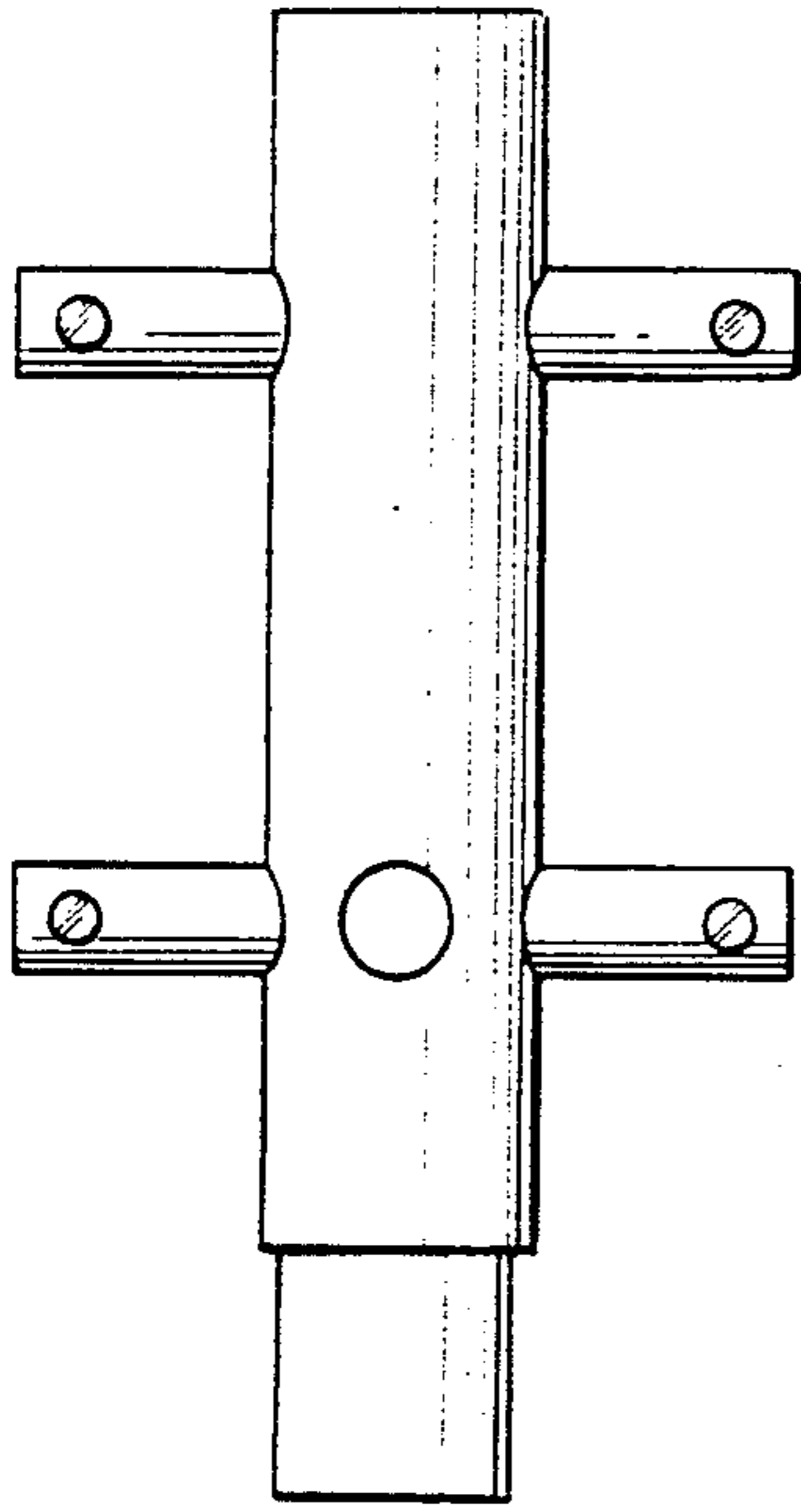


Fig. 1

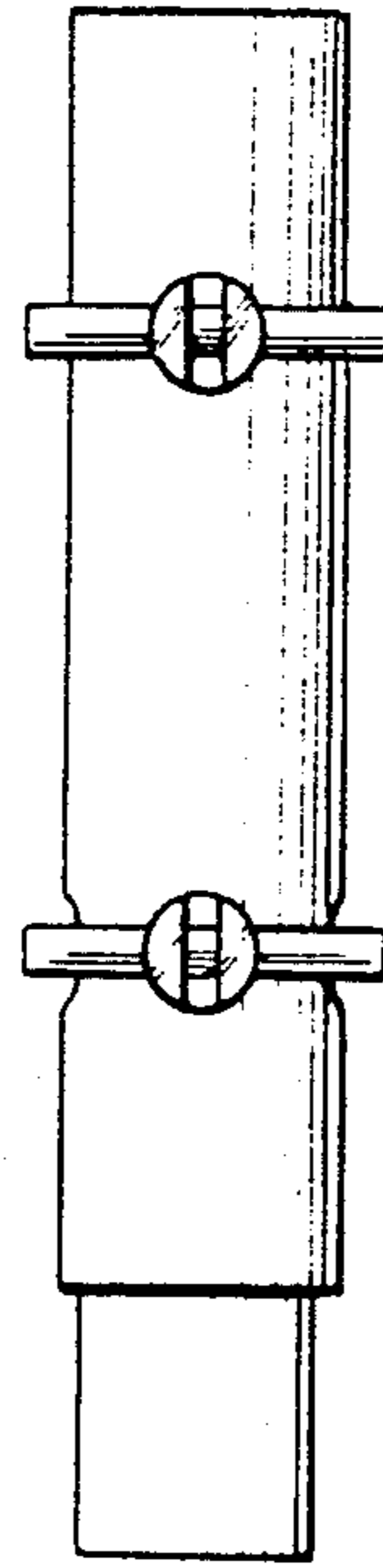


Fig. 2

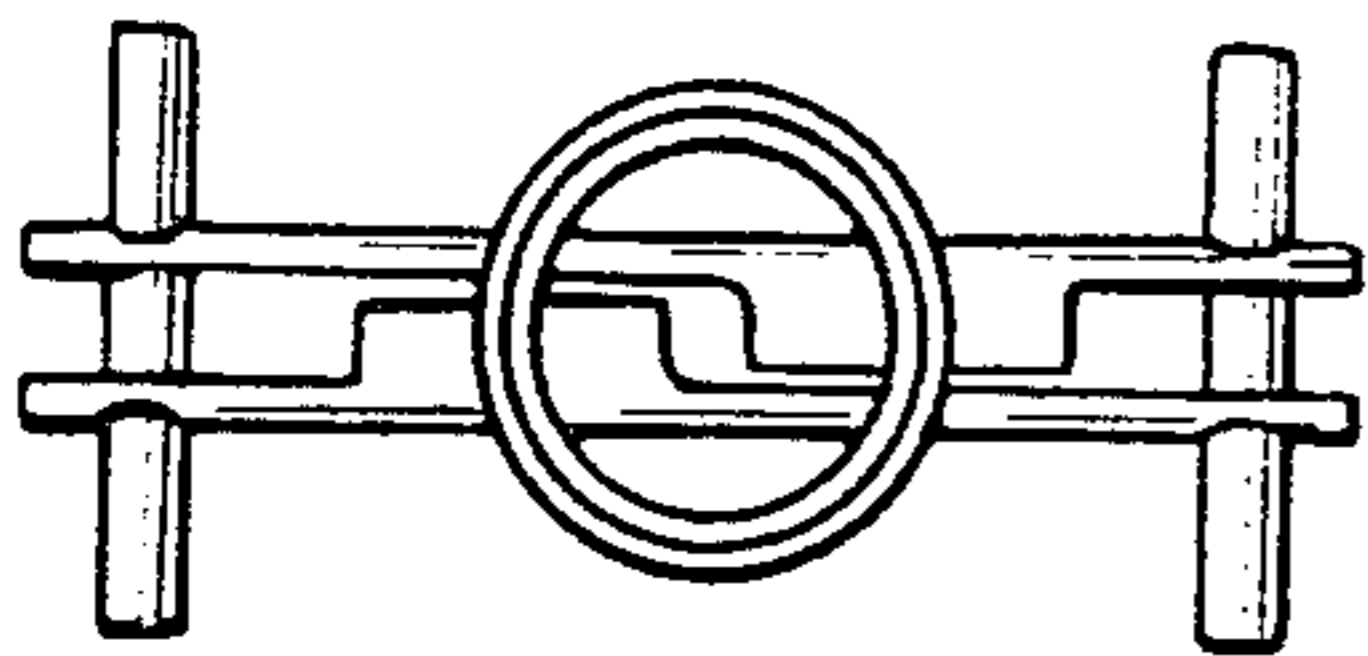


Fig. 3

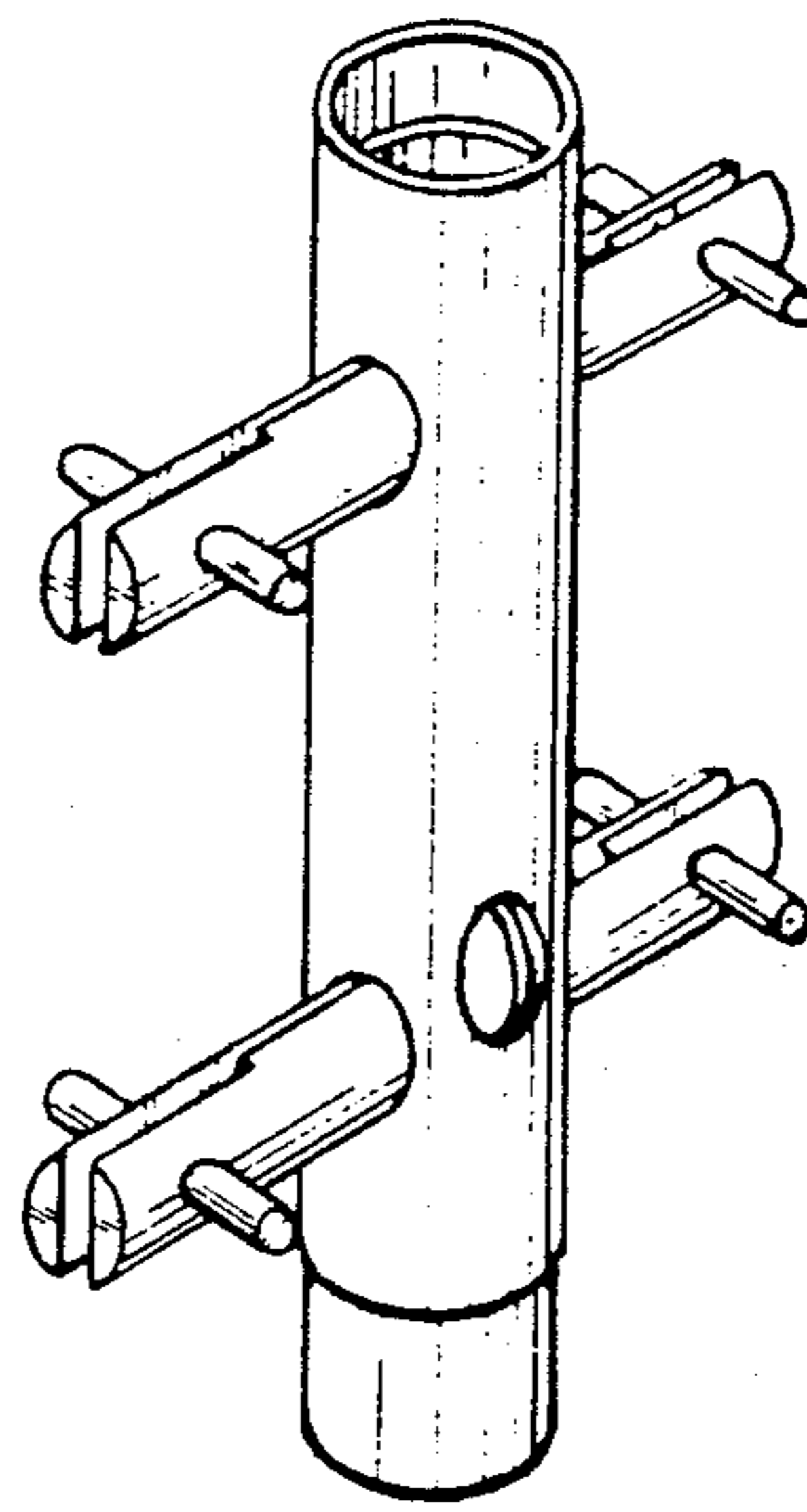


Fig. 4