

[54] **BROOM SHROUD**

[75] Inventors: **Daniel A. Maust, Winfield; Charles E. Nichols, Woodridge, both of Ill.**

[73] Assignee: **The Drackett Company, Cincinnati, Ohio**

[\*\*] Term: **14 Years**

[21] Appl. No.: **500,663**

[22] Filed: **Jun. 3, 1983**

[52] U.S. Cl. .... **D32/50; D4/199**

[58] Field of Search ..... **15/159 R, 145, 146, 15/147 R, 171, 175, 176; D4/199; D32/50-52**

2,902,704 9/1959 Schwartz ..... 15/229  
 3,416,179 12/1968 Wiese ..... 15/171  
 3,682,516 8/1972 Savage ..... 306/30  
 4,152,805 5/1979 Saldarriaga et al. .... 15/175 X

**FOREIGN PATENT DOCUMENTS**

360453 10/1922 Fed. Rep. of Germany ..... 15/146

*Primary Examiner*—Catherine E. Kemper  
*Attorney, Agent, or Firm*—Charles J. Zeller

[57] **CLAIM**

The ornamental design for a broom shroud, as shown and described.

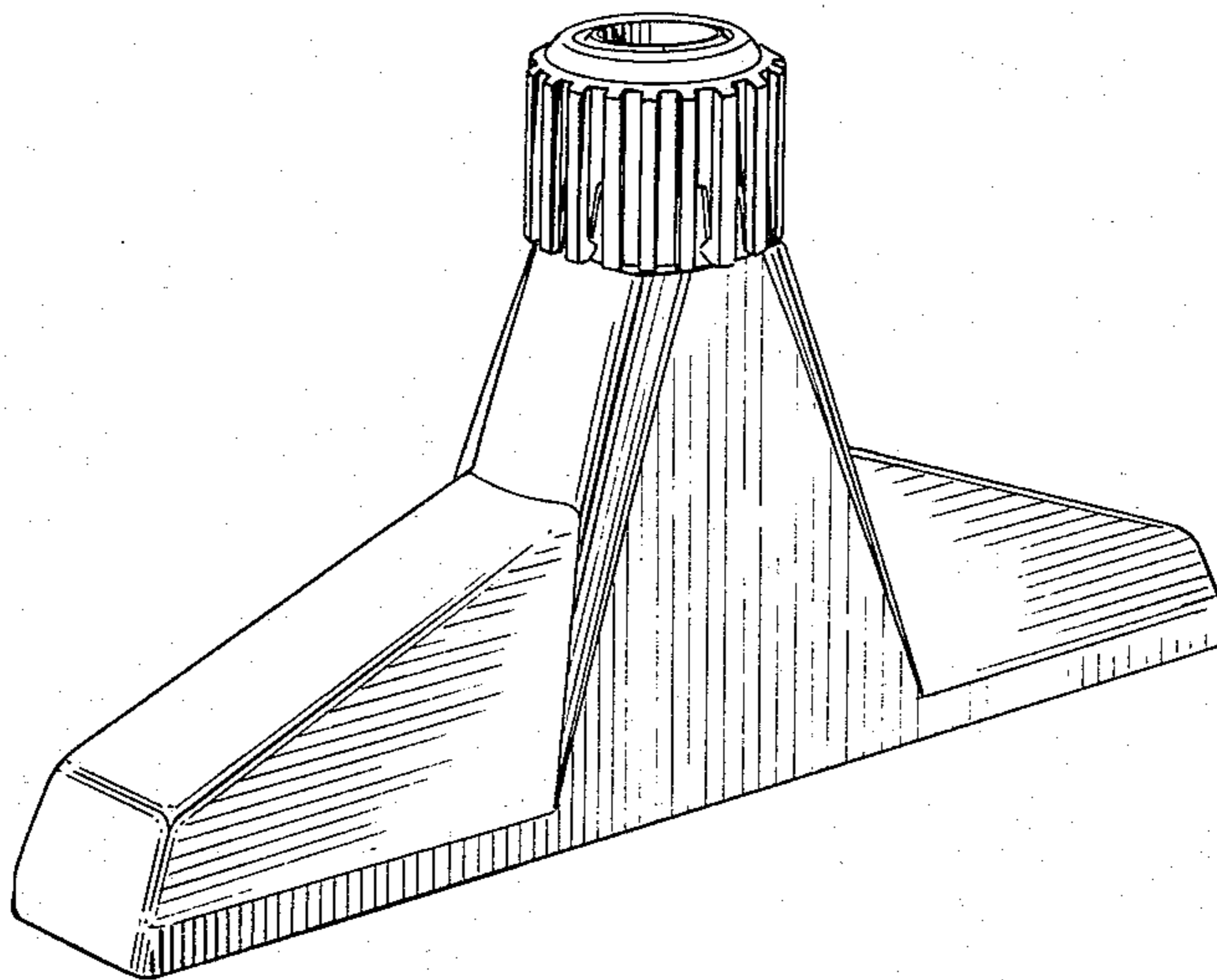
**DESCRIPTION**

FIG. 1 is a perspective view of a broom shroud showing our new design;  
 FIG. 2 is a front side elevational view thereof, the side opposite to that shown being a mirror image thereof;  
 FIG. 3 is a right side elevational view thereof, the side opposite to that shown being a mirror image thereof;  
 FIG. 4 is a top plan view thereof, and  
 FIG. 5 is a bottom plan view thereof.

[56] **References Cited**

**U.S. PATENT DOCUMENTS**

D. 199,023	9/1964	Auwater .....	D32/50
689,941	12/1901	Wilson .....	15/171
1,587,412	6/1926	Pifer .....	15/171
2,464,509	3/1949	Horwitz .....	15/176
2,832,089	4/1958	Schwartz et al. ....	15/175 X



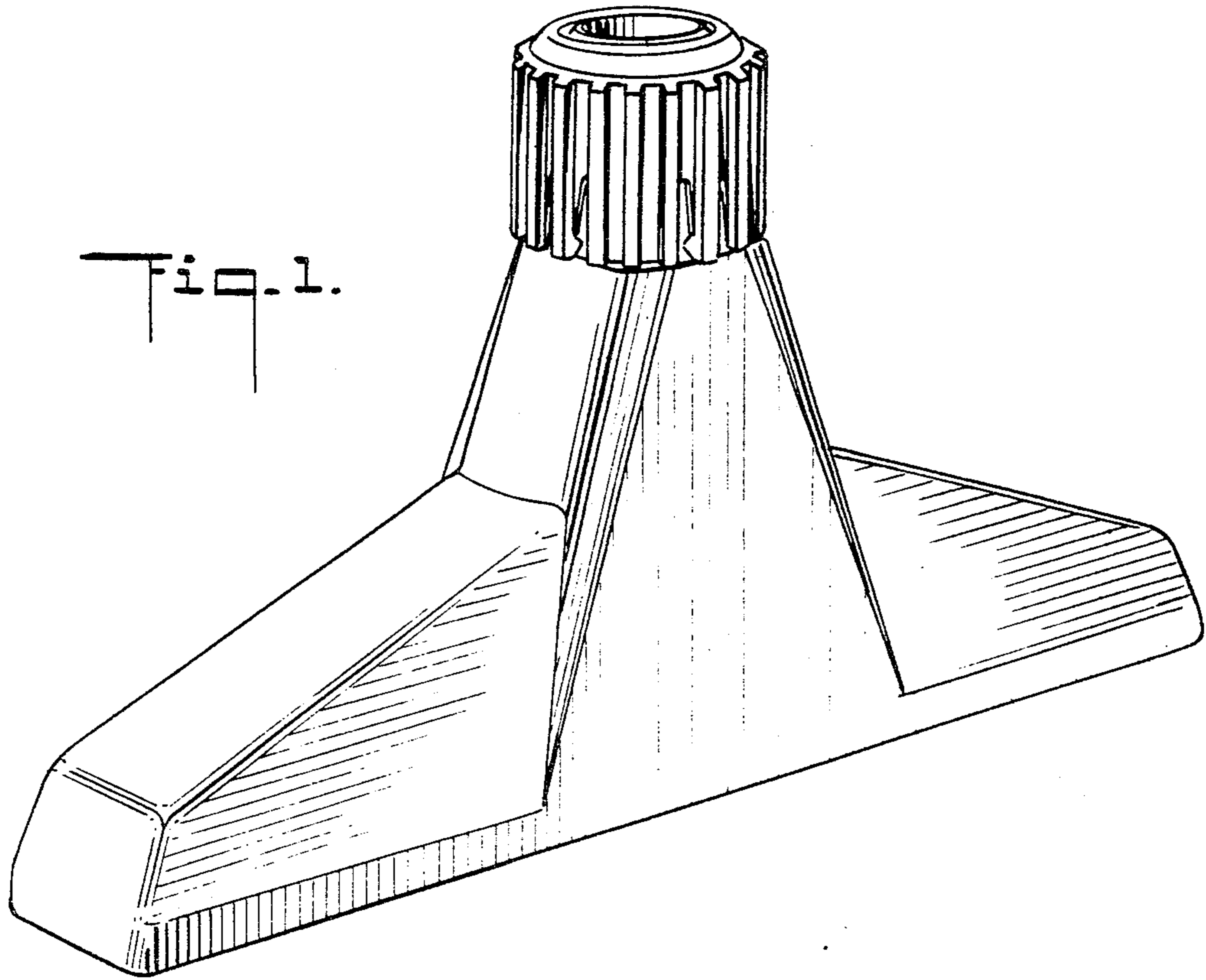
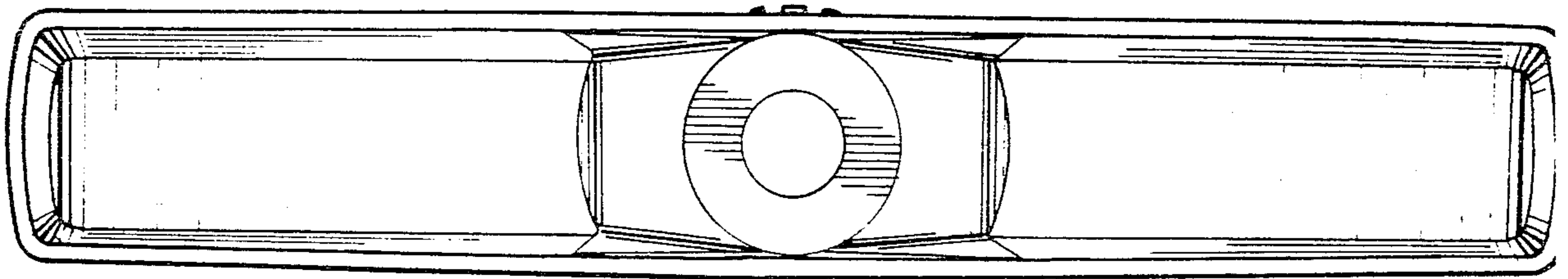


Fig. 2.



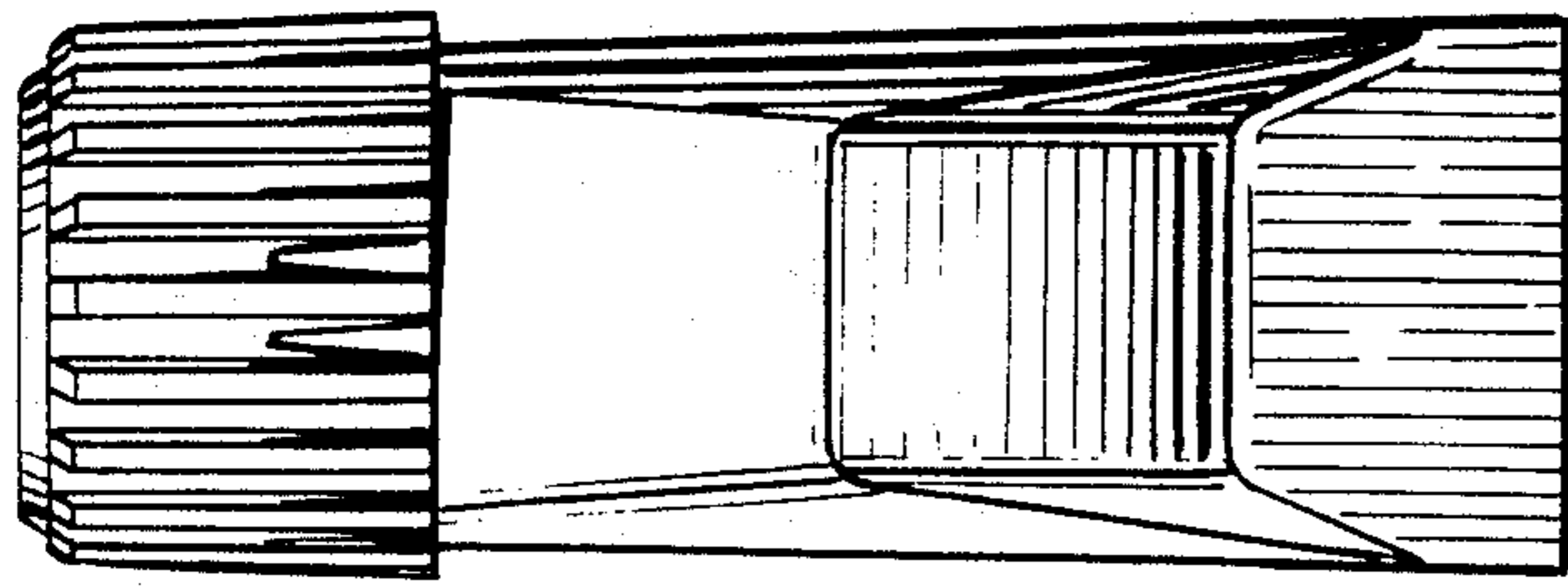


Fig. 3.

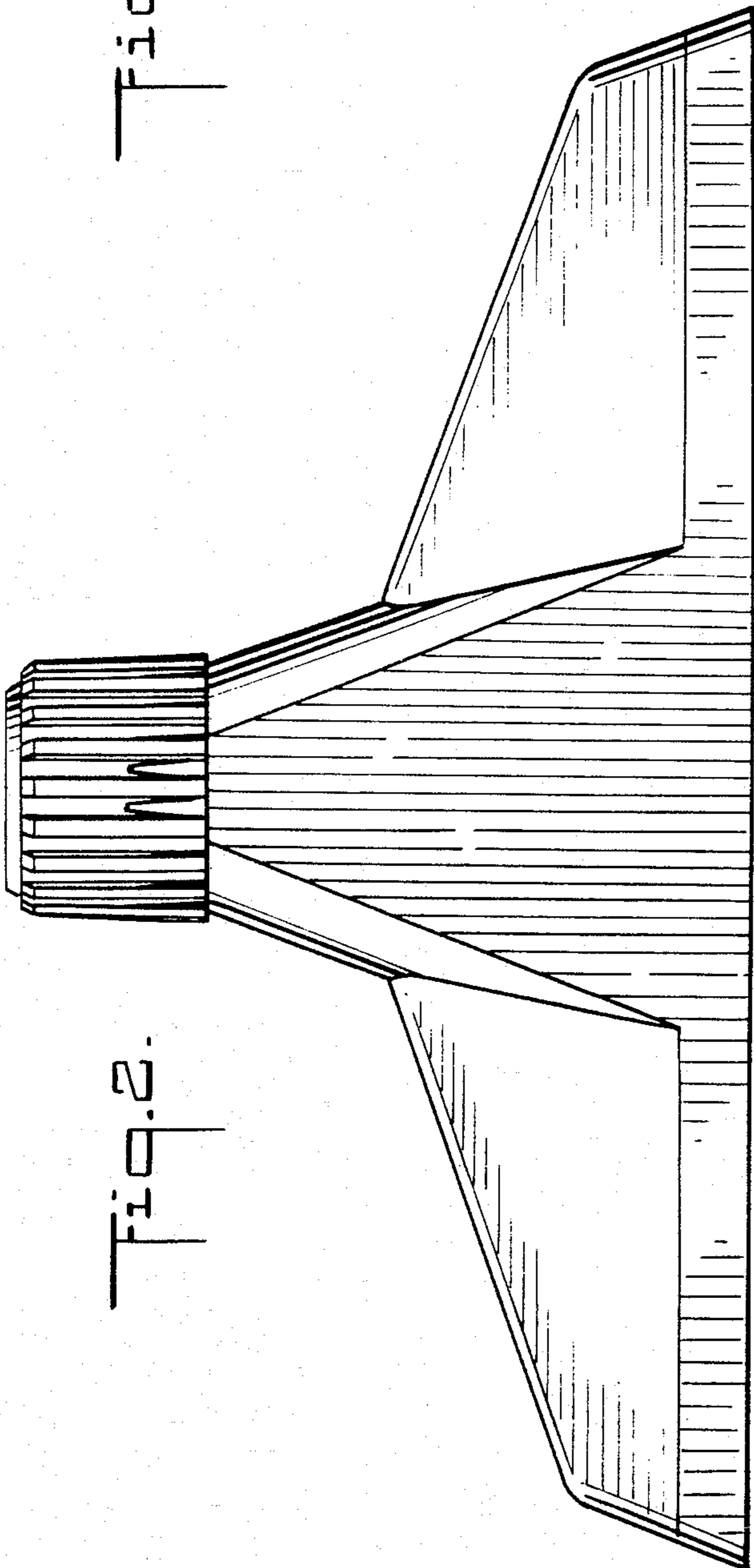


Fig. 2.

Fig. 4.

