

[54] CHIMNEY CLEANER

4,365,382 12/1982 Korfmann et al. 15/243 X
4,409,703 10/1983 Marcellus 15/249
4,454,625 6/1984 Kern 15/249

[76] Inventor: Jerry W. Obenchain, Rte. 3, Box 349,
Salem, Va. 24153

Primary Examiner—Catherine E. Kemper
Attorney, Agent, or Firm—Mason, Fenwick & Lawrence

[**] Term: 14 Years

[21] Appl. No.: 439,746

[57] CLAIM

The ornamental design for a chimney cleaner, as shown.

[22] Filed: Jan. 10, 1983

[52] U.S. Cl. D32/35

DESCRIPTION

[58] Field of Search 15/104.05, 162, 163,
15/242, 243, 249; D32/35, 40

FIG. 1 is a rear perspective view, viewed from above,
of a chimney cleaner showing my new design;
FIG. 2 is a front elevational view thereof;
FIG. 3 is a side elevational view thereof, viewed from
the right of FIG. 2, the opposite side elevation being the
mirror image thereof;
FIG. 4 is a rear elevational view thereof; and
FIG. 5 is a bottom plan view thereof.

[56] References Cited

U.S. PATENT DOCUMENTS

D. 249,010 8/1978 Currie D32/35 X
4,028,769 6/1977 Coviello et al. 15/249
4,208,756 6/1980 Smith 15/243

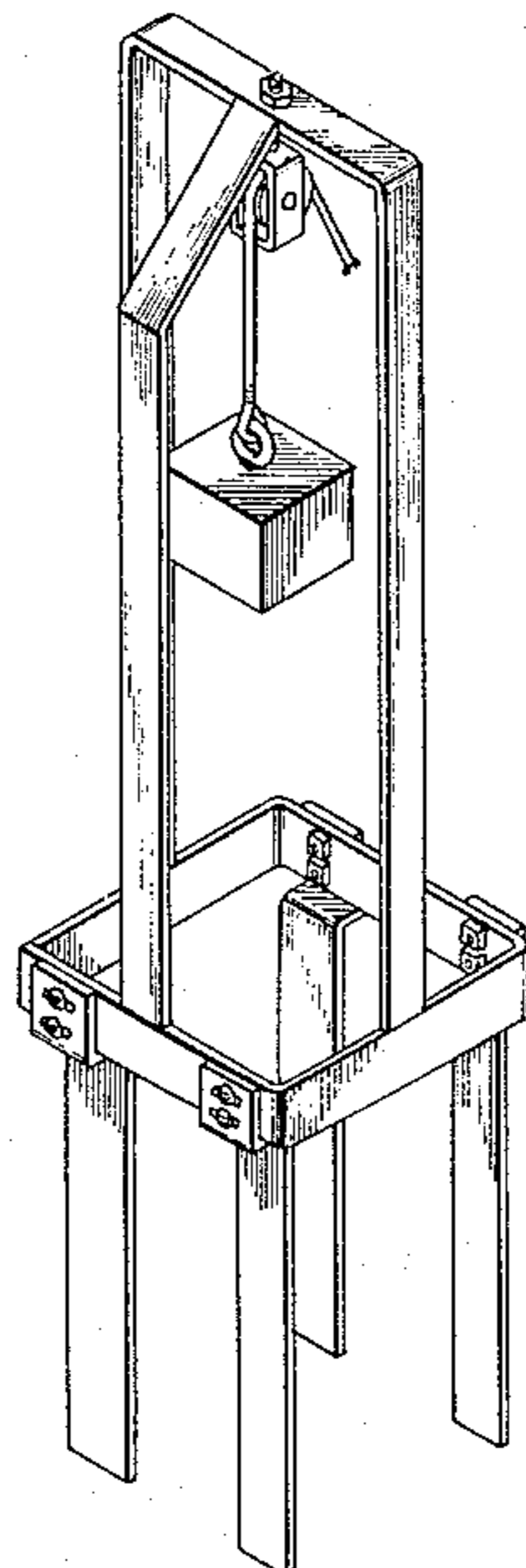


Fig. 4

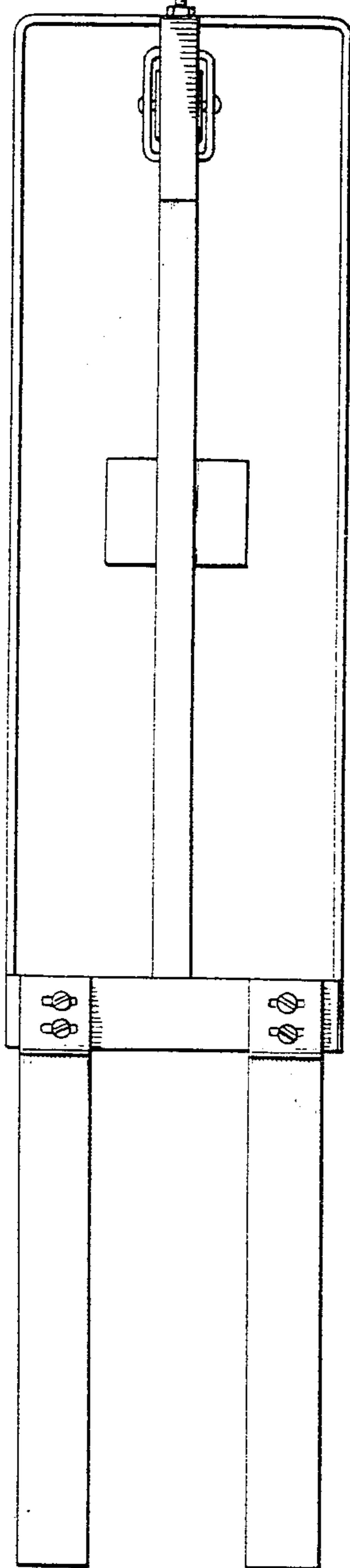


Fig. 1

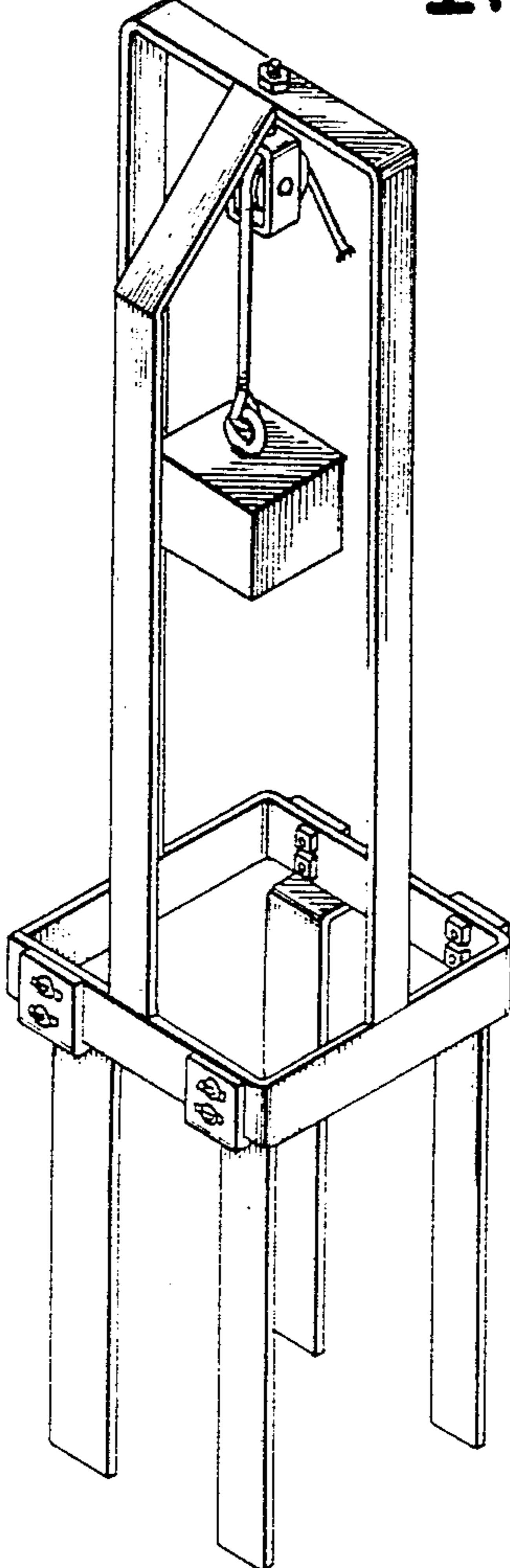


Fig. 5

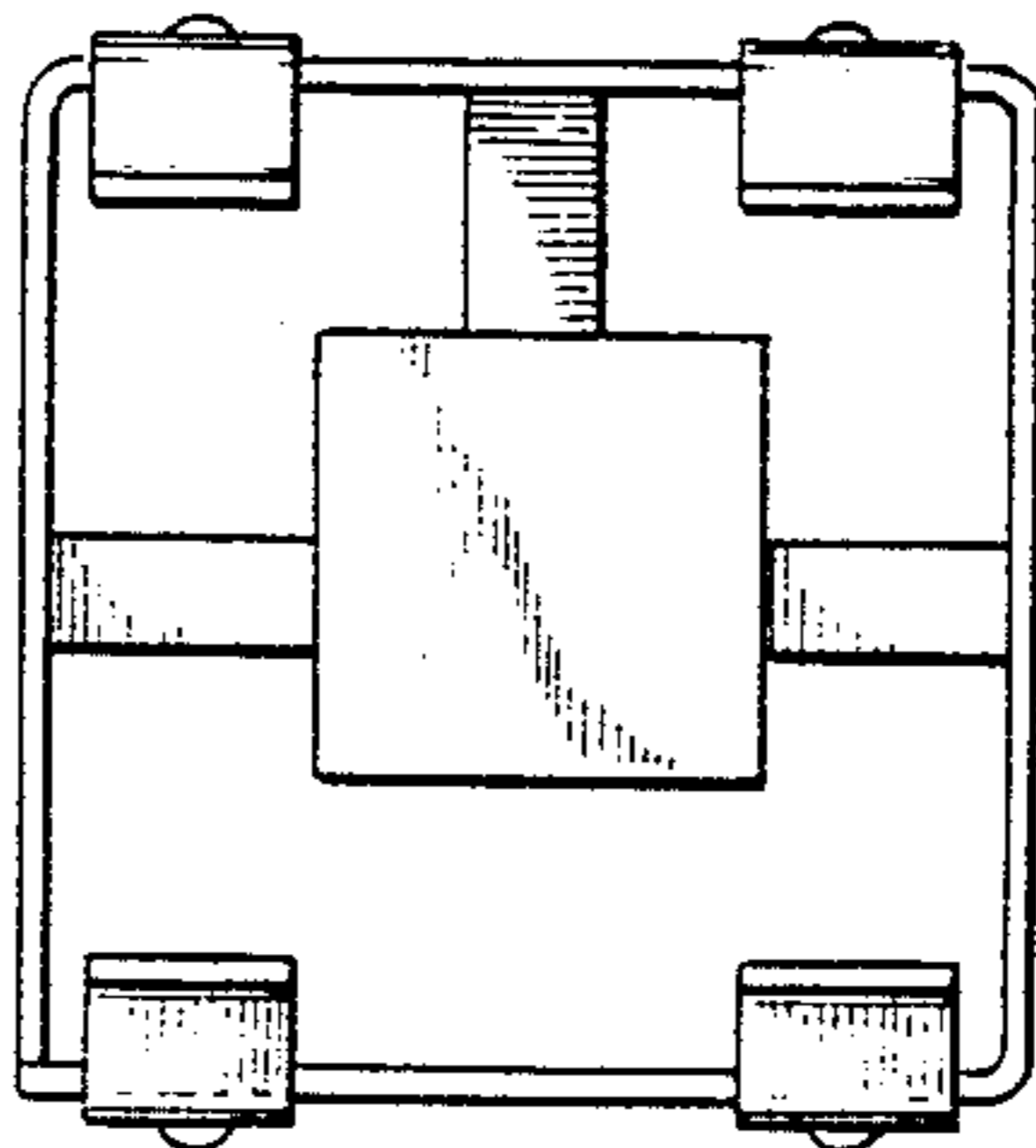


Fig-2

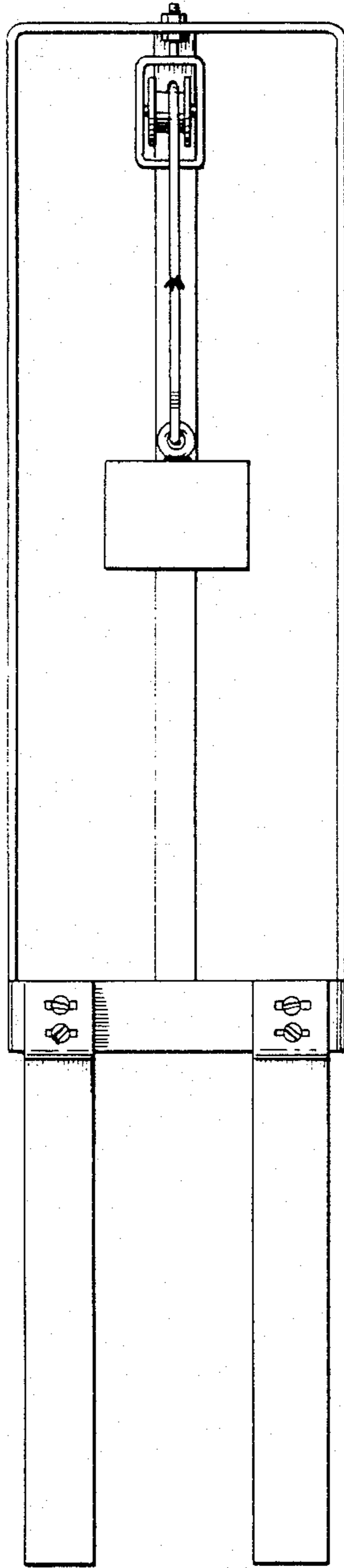


Fig-3

