

[54] ADJUSTABLE COSMETIC APPLICATOR

[76] Inventors: Henry J. Cassai, 163-47 85th St., Howard Beach, N.Y. 11414; Gino H. Cassai, 924 E. 96th St., Brooklyn, N.Y. 11236

[**] Term: 14 Years

[21] Appl. No.: 494,656

[22] Filed: May 16, 1983

[52] U.S. Cl. D28/7

[58] Field of Search D28/4-7, D28/88-90; D9/314, 338, 377, 436; 132/79 A, 83 B, 88.5, 88.7, DIG. 3

[56] References Cited

U.S. PATENT DOCUMENTS

4,165,755 8/1979 Cassai D28/7 X
4,370,989 2/1983 Taylor D28/7 X

OTHER PUBLICATIONS

Drug & Cosmetic Industry, 6/1981, p. 10, Applicator Cap at center.

Primary Examiner—Louis S. Zarfes

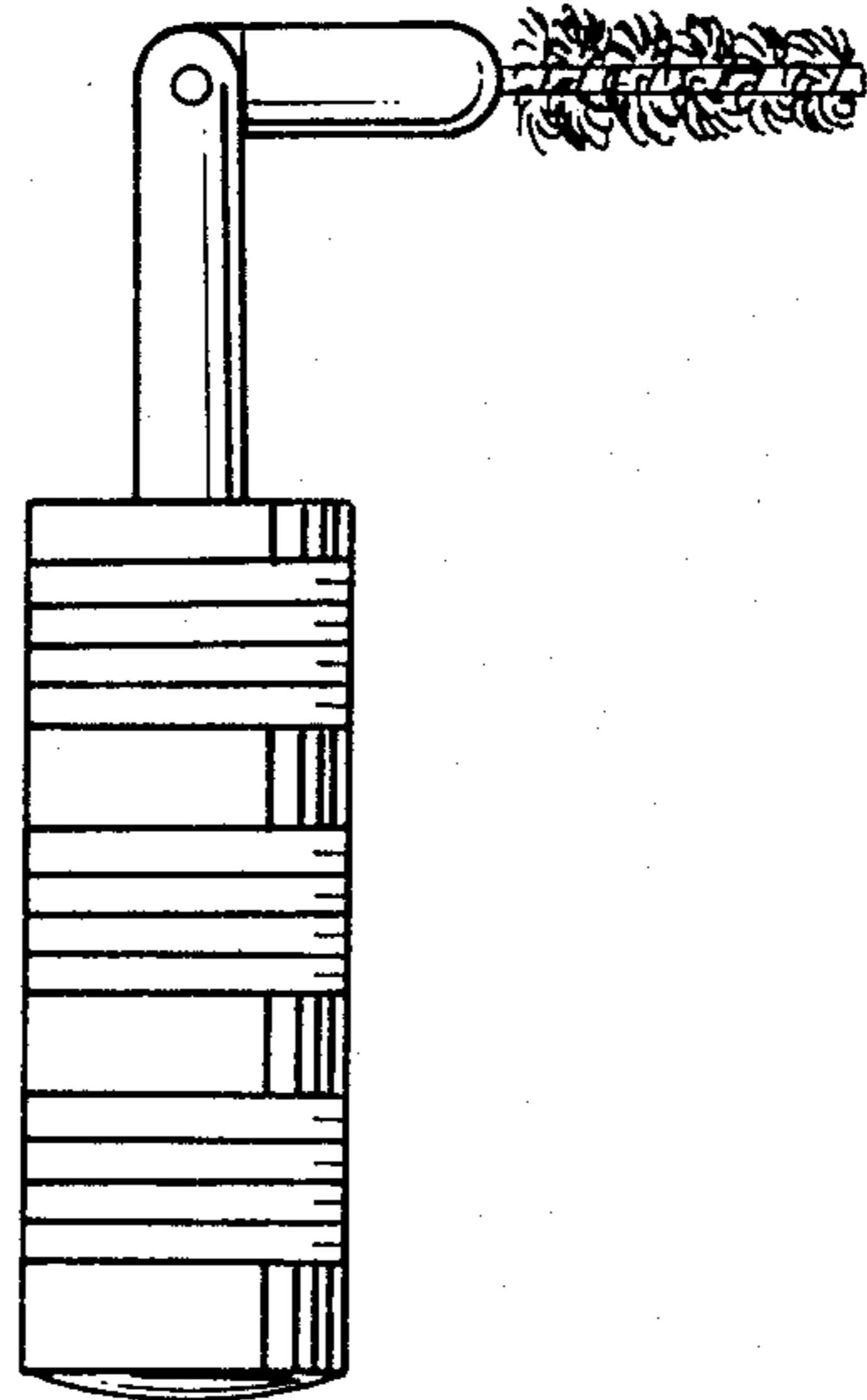
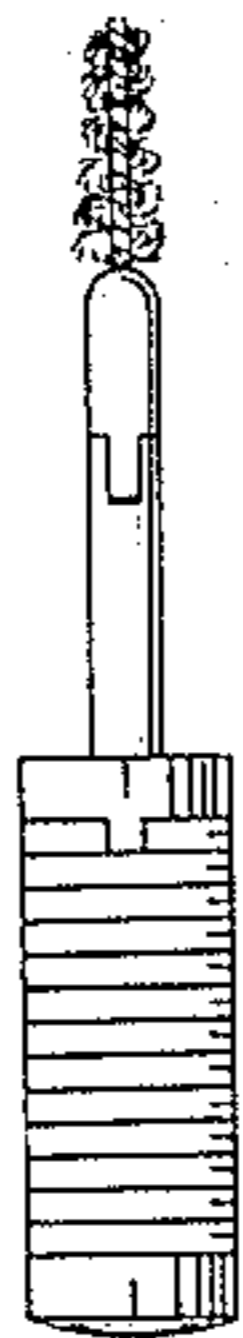
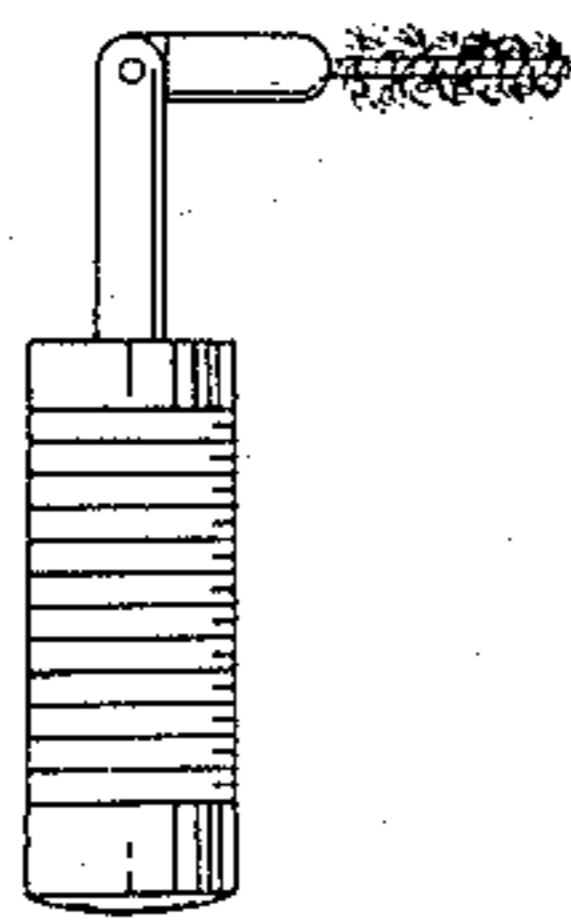
[57] CLAIM

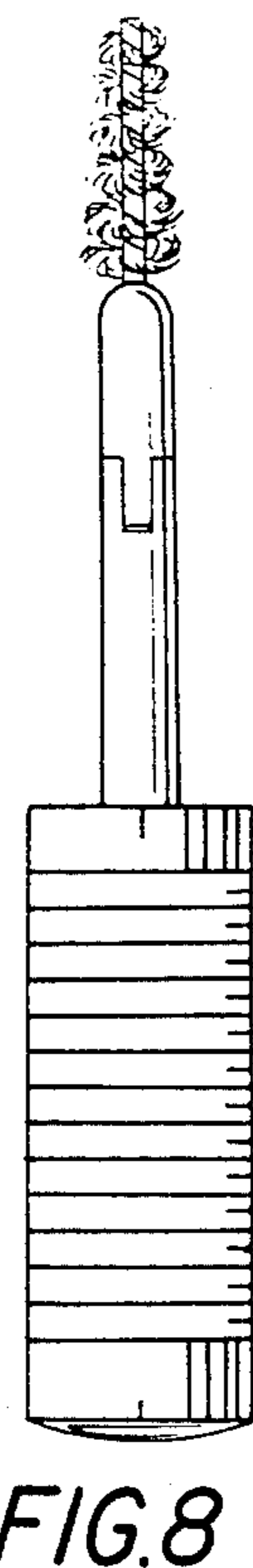
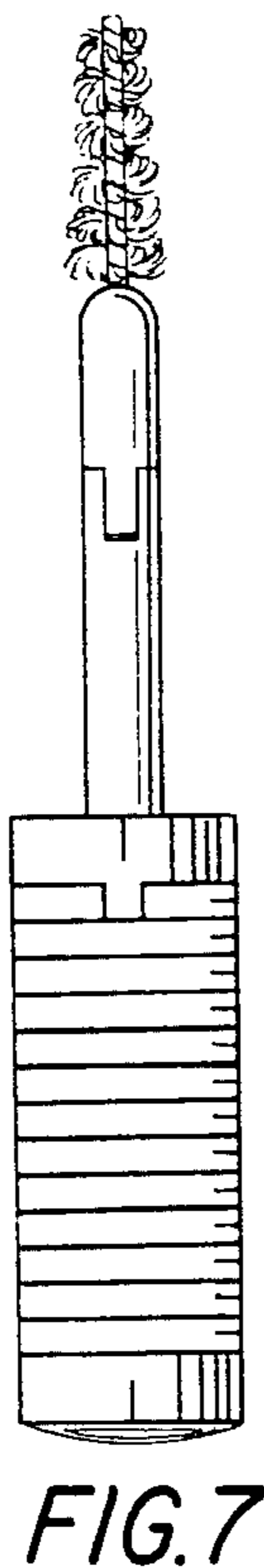
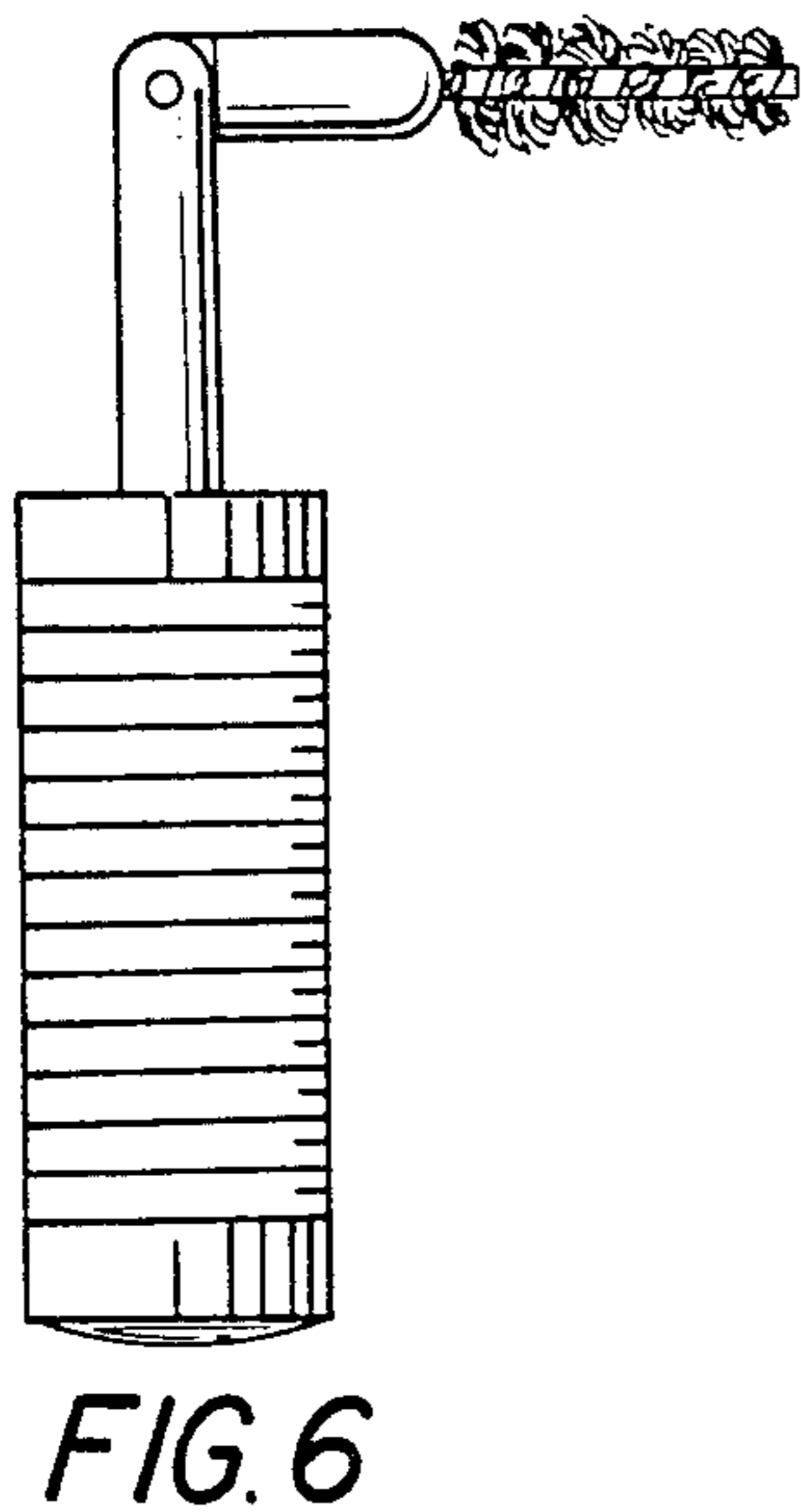
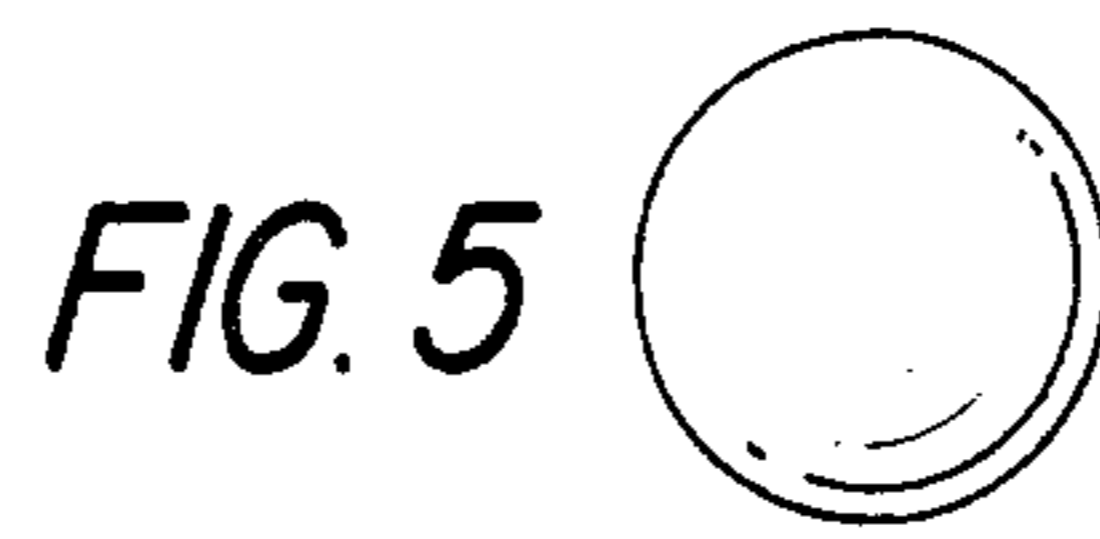
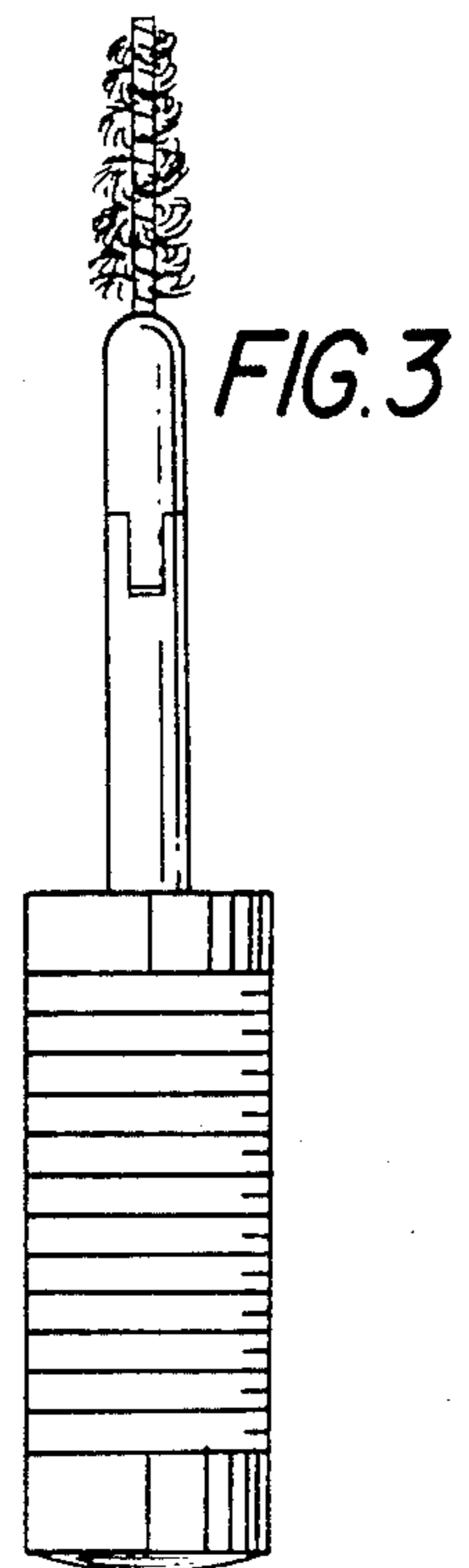
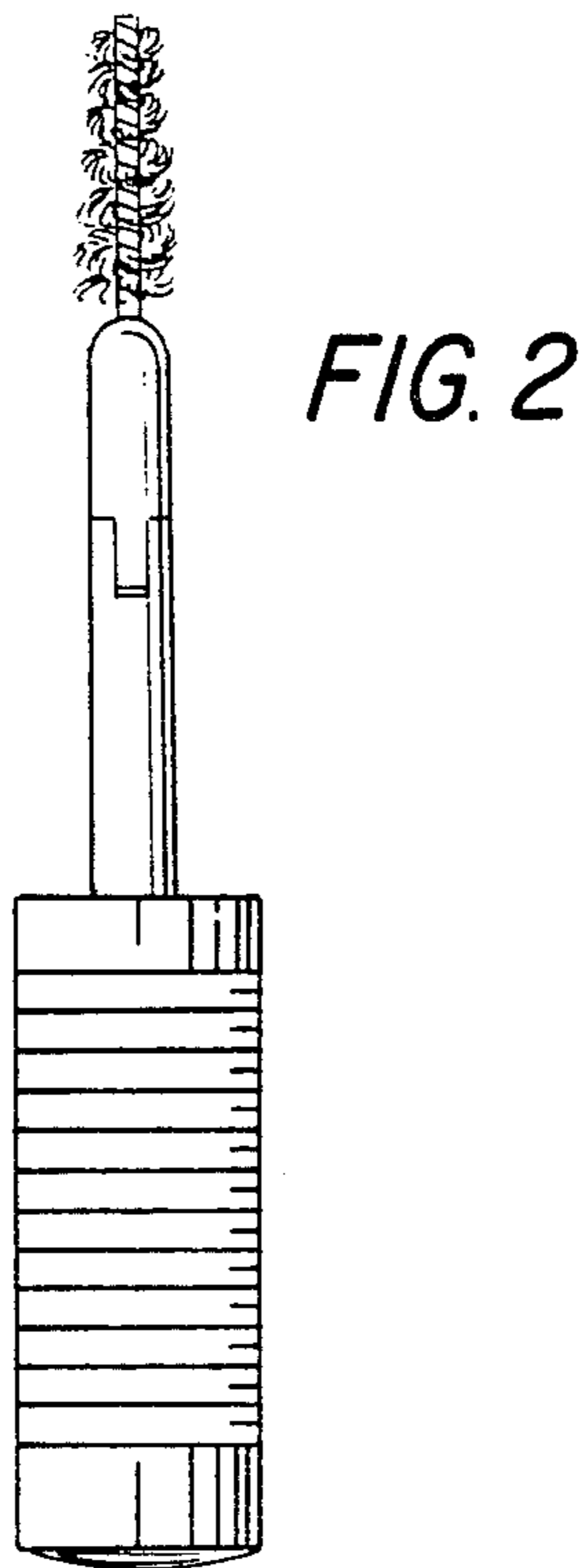
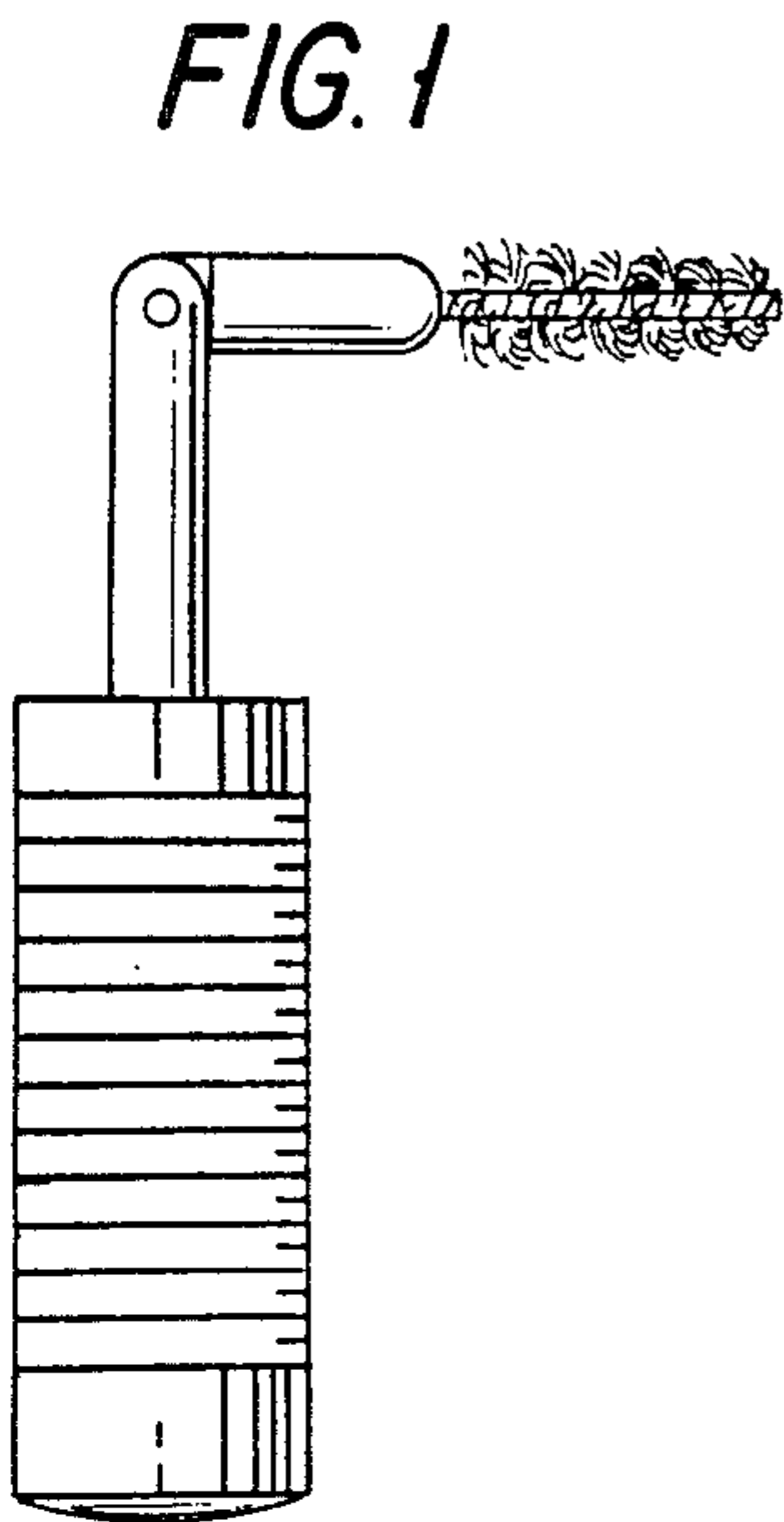
The ornamental design for an adjustable cosmetic applicator, as shown and described.

DESCRIPTION

FIG. 1 is a side elevational view of an adjustable cos-

metic applicator showing our new design with the top wand shaft rotated 90 degrees from the vertical; FIG. 2 is a front elevational view showing the wand top returned to the vertical position; FIG. 3 is a rear elevational view thereof; FIG. 4 is a top plan view; FIG. 5 is a bottom view thereof; FIG. 6 is another side elevational view of the adjustable cosmetic applicator with the top wand rotated 90 degrees from the vertical; FIG. 7 is a front elevational view of an adjustable cosmetic applicator showing a second embodiment of our new design; FIG. 8 is a rear elevational view thereof; FIG. 9 is a side elevational view of an adjustable cosmetic applicator showing a third embodiment of our new design, with the top wand rotated 90 degrees from the vertical; FIG. 10 is a front elevational view thereof, with the top wand returned to the vertical position; FIG. 11 is a rear elevational view thereof; FIG. 12 is a top plan view of an adjustable cosmetic applicator showing a fourth embodiment of our new design, wherein the only modification is in the applicator tip; and FIG. 13 is a top plan view of an adjustable cosmetic applicator showing a fifth embodiment of our new design, wherein the only modification is in the applicator tip.





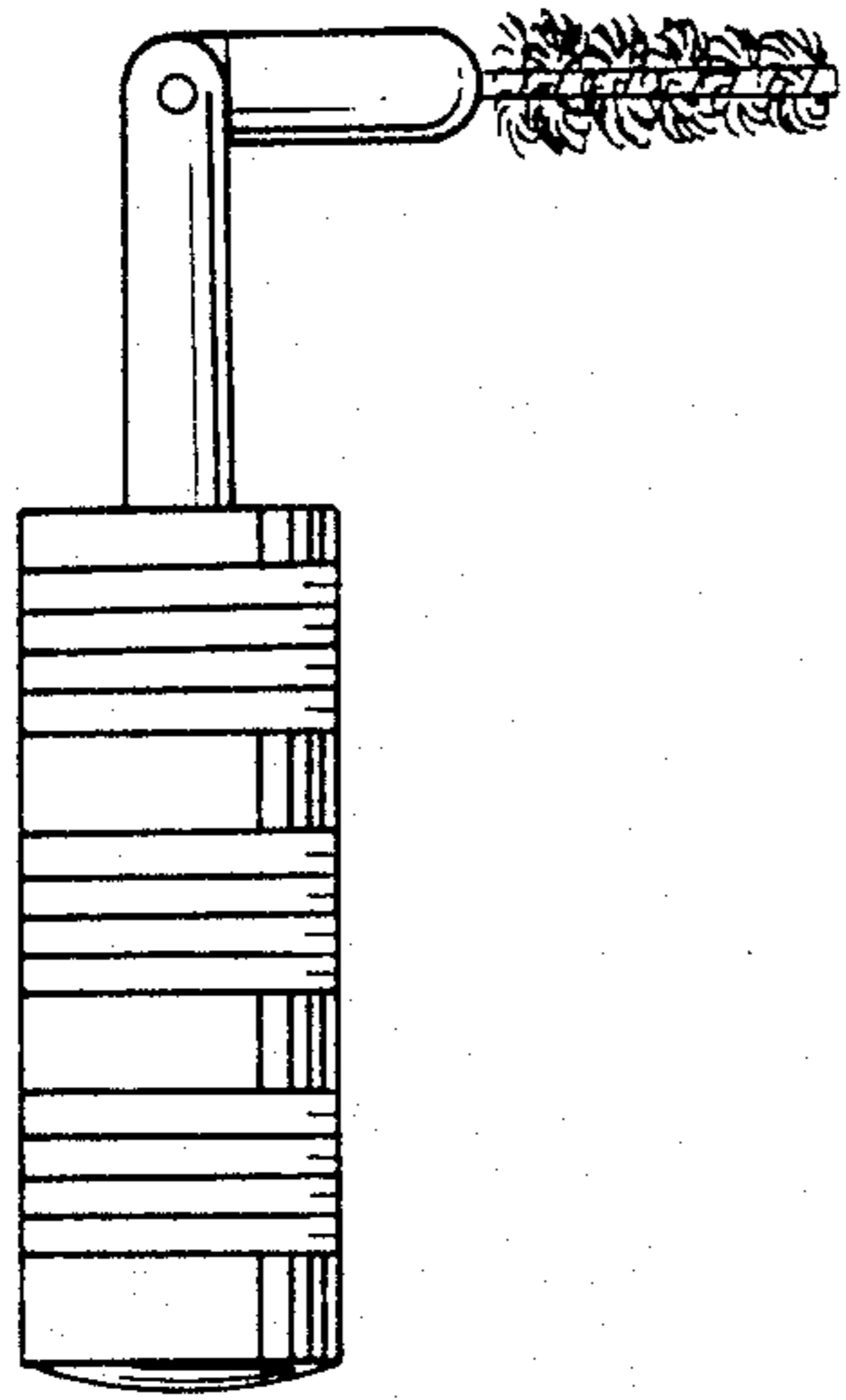


FIG. 9

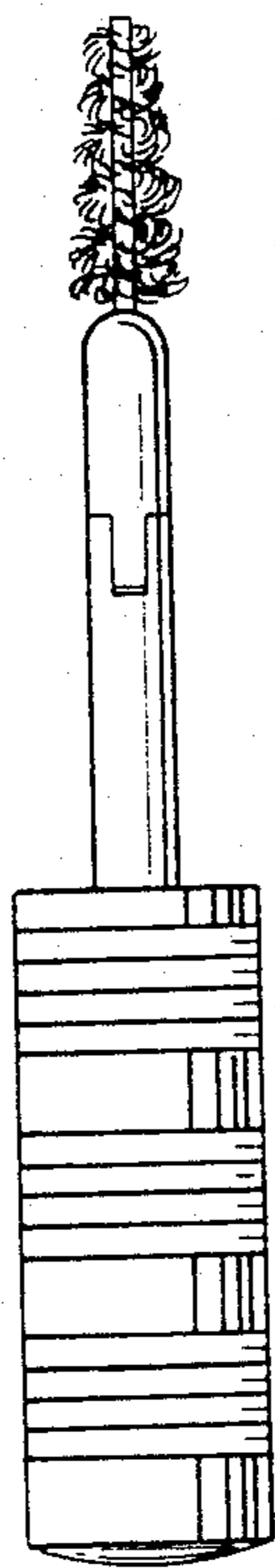


FIG. 10

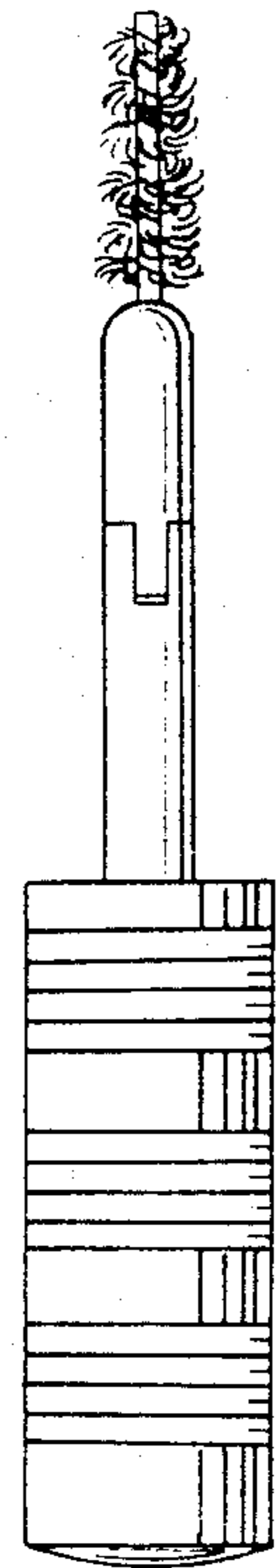


FIG. 11

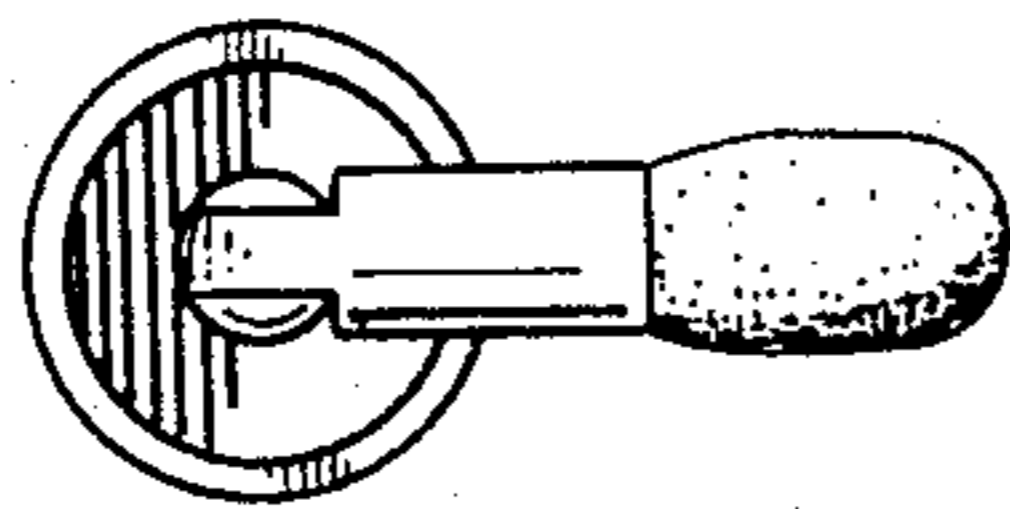


FIG. 12

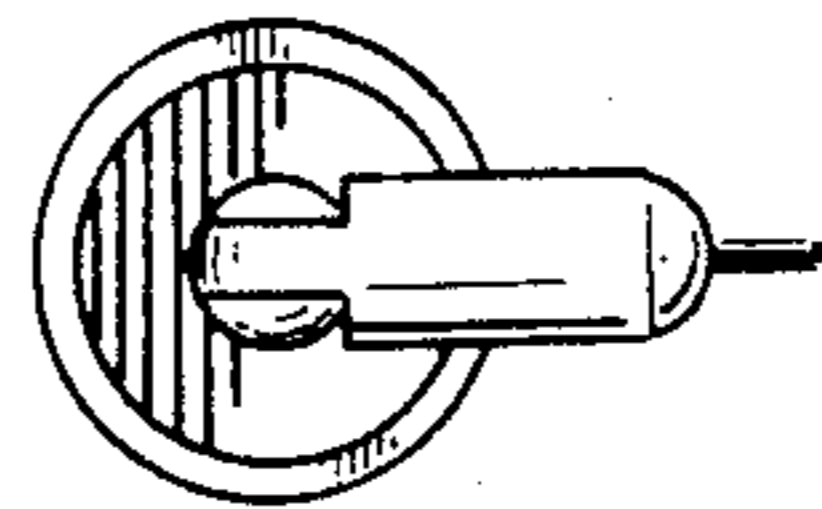


FIG. 13