

[54] STAKE FOR SUPPORTING AN OUTDOOR CHRISTMAS LIGHT

[75] Inventor: Beverly W. Taylor, Hermann, Mo.

[73] Assignee: Blanke Plastic Company, Inc., Hermann, Mo.

[\*\*] Term: 14 Years

[21] Appl. No.: 449,458

[22] Filed: Dec. 13, 1982

[52] U.S. Cl. .... D25/77; D26/138

[58] Field of Search ..... D26/138, 140; 248/156, 248/121, 124; 362/395, 431; 135/118; 52/155, 153, 103 R; D21/255; D25/77, 78; D8/1

[56] References Cited

U.S. PATENT DOCUMENTS

D. 215,854	11/1969	Tilley	.....	D25/77
3,263,069	7/1966	Krucki et al.	.....	362/431
3,758,062	9/1973	Caldwell et al.	.....	248/156
3,876,970	4/1975	Schweitzer	.....	248/156 X
3,899,856	8/1975	Johnson	.....	52/103 X

FOREIGN PATENT DOCUMENTS

629443	10/1961	Canada	.....	362/431
2038974	7/1980	United Kingdom	.....	248/87

Primary Examiner—Susan J. Lucas  
Attorney, Agent, or Firm—Polster, Polster and Lucchesi

[57] CLAIM

The ornamental design for stake for supporting an outdoor Christmas light, as shown and described.

DESCRIPTION

FIG. 1 is a fragmentary top, side and rear perspective view of a stake for supporting an outdoor Christmas light showing my new design, the stake being broken away for convenience of illustration;

FIG. 2 is a front elevational view thereof;

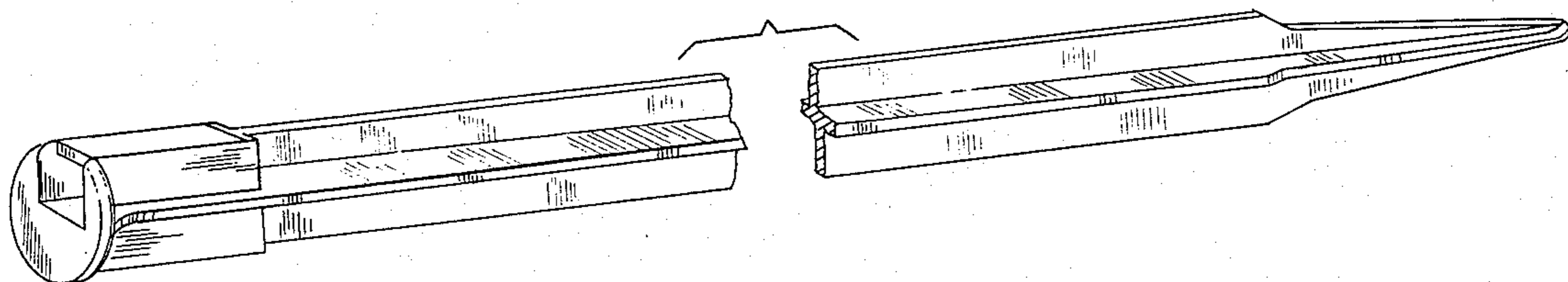
FIG. 3 is a side elevational view thereof, the opposite side being a mirror image;

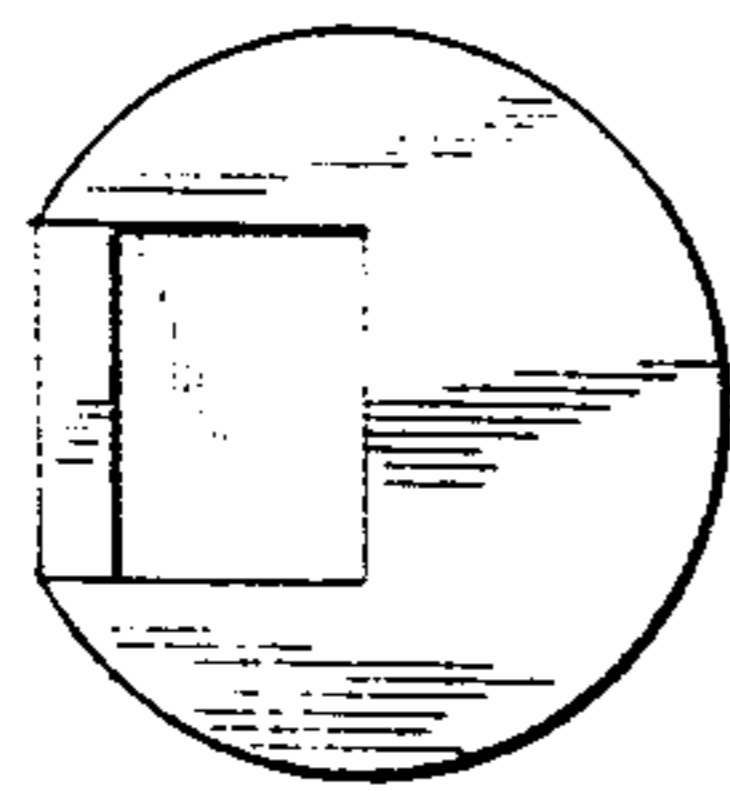
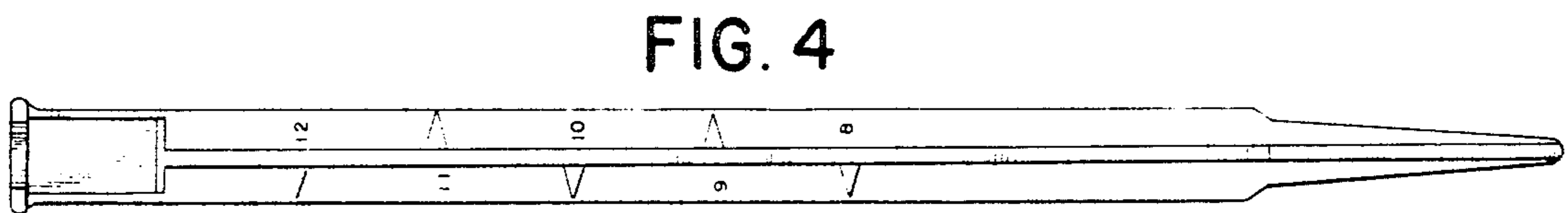
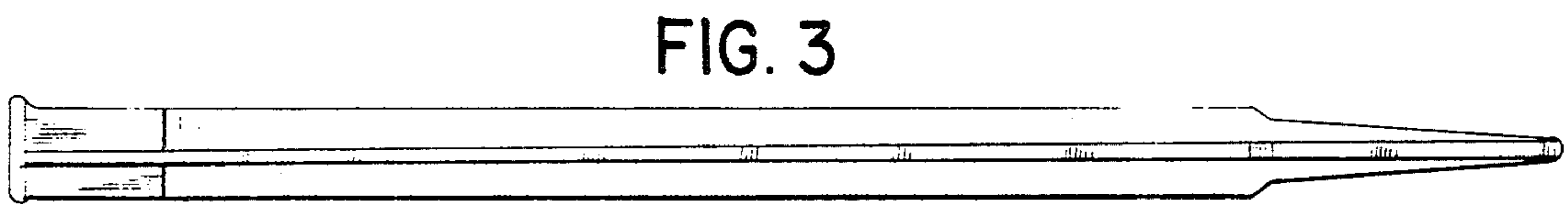
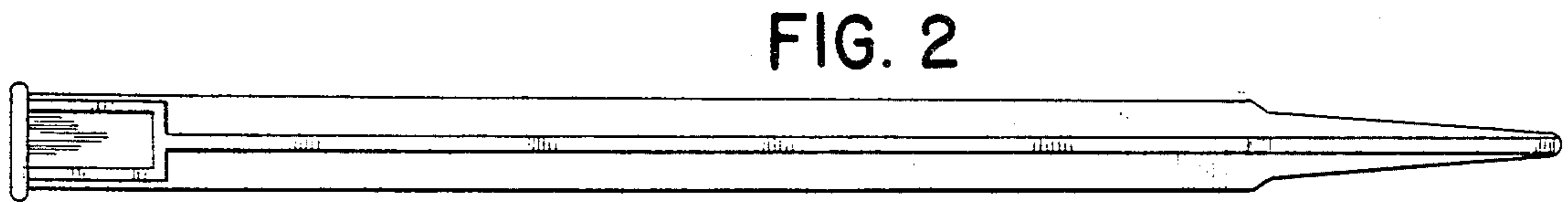
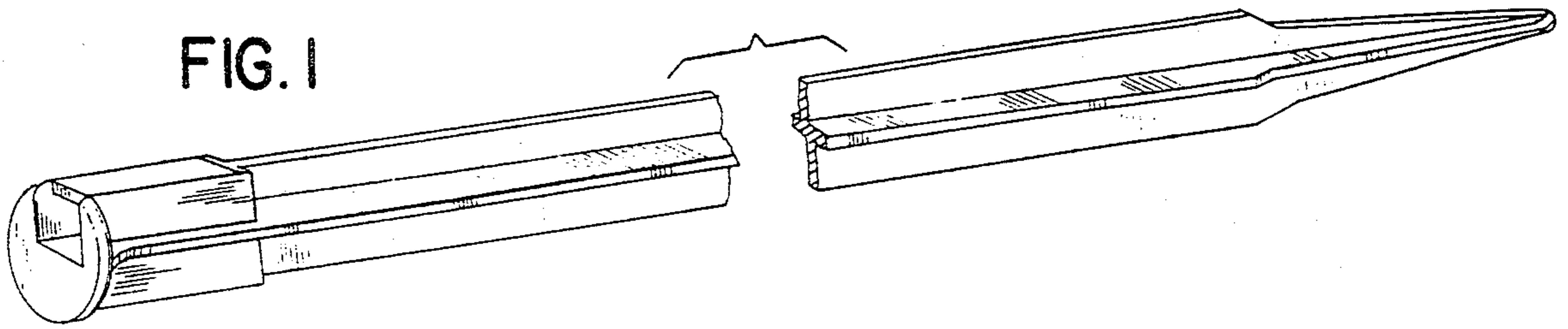
FIG. 4 is a rear elevational view thereof;

FIG. 5 is a top plan view thereof on an enlarged scale;

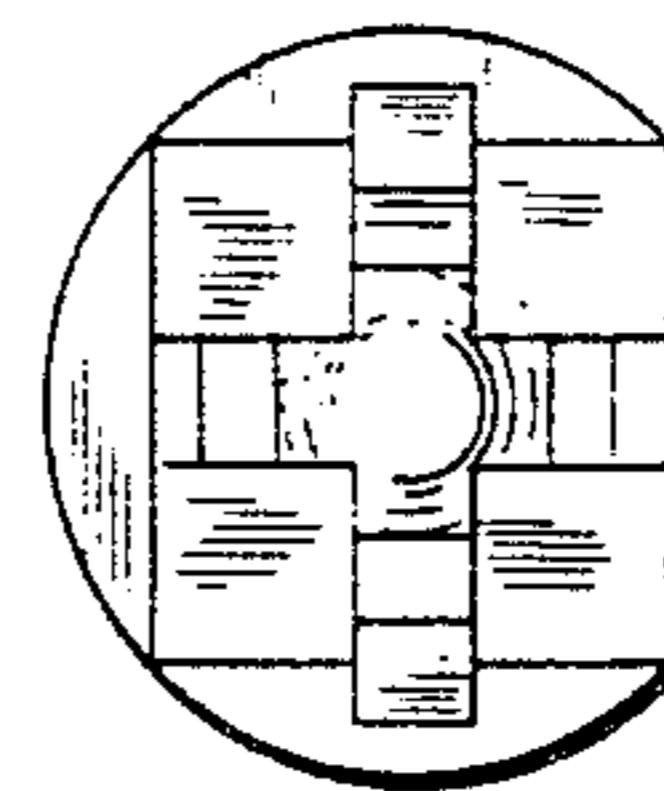
FIG. 6 is a bottom plan view thereof on an enlarged scale;

FIG. 7 is a fragmentary top, front perspective view thereof, the stake being fragmentarily shown for convenience of illustration.

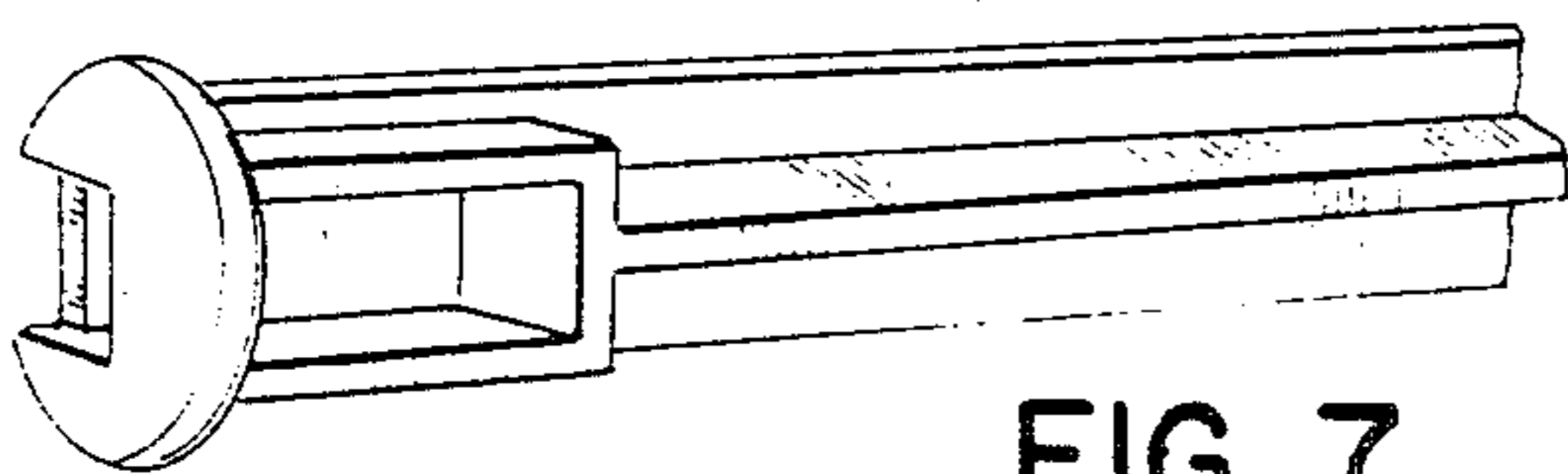




**FIG. 5**



**FIG. 6**



**FIG. 7**