

[54] COMBINED ELECTRIC FAN AND FAN HEATER

[75] Inventor: John S. Yuen, Kowloon, Hong Kong

[73] Assignee: John Manufacturing Limited, Kowloon, Hong Kong

[**] Term: 14 Years

[21] Appl. No.: 448,288

[22] Filed: Dec. 9, 1982

[30] Foreign Application Priority Data

Jun. 11, 1982 [GB] United Kingdom 1007220

[52] U.S. Cl. D23/122; D23/155

[58] Field of Search D23/93, 110-116, D23/122-124, 139, 151, 155; 219/366, 369, 370, 371

[56] References Cited

U.S. PATENT DOCUMENTS

D. 248,043 5/1978 Schade D23/122

D. 254,566 3/1980 Cummins D23/155
D. 257,059 9/1980 Schade D23/122
2,509,137 5/1950 Denman 219/370 X
2,866,073 12/1958 Omohundro 219/370 X

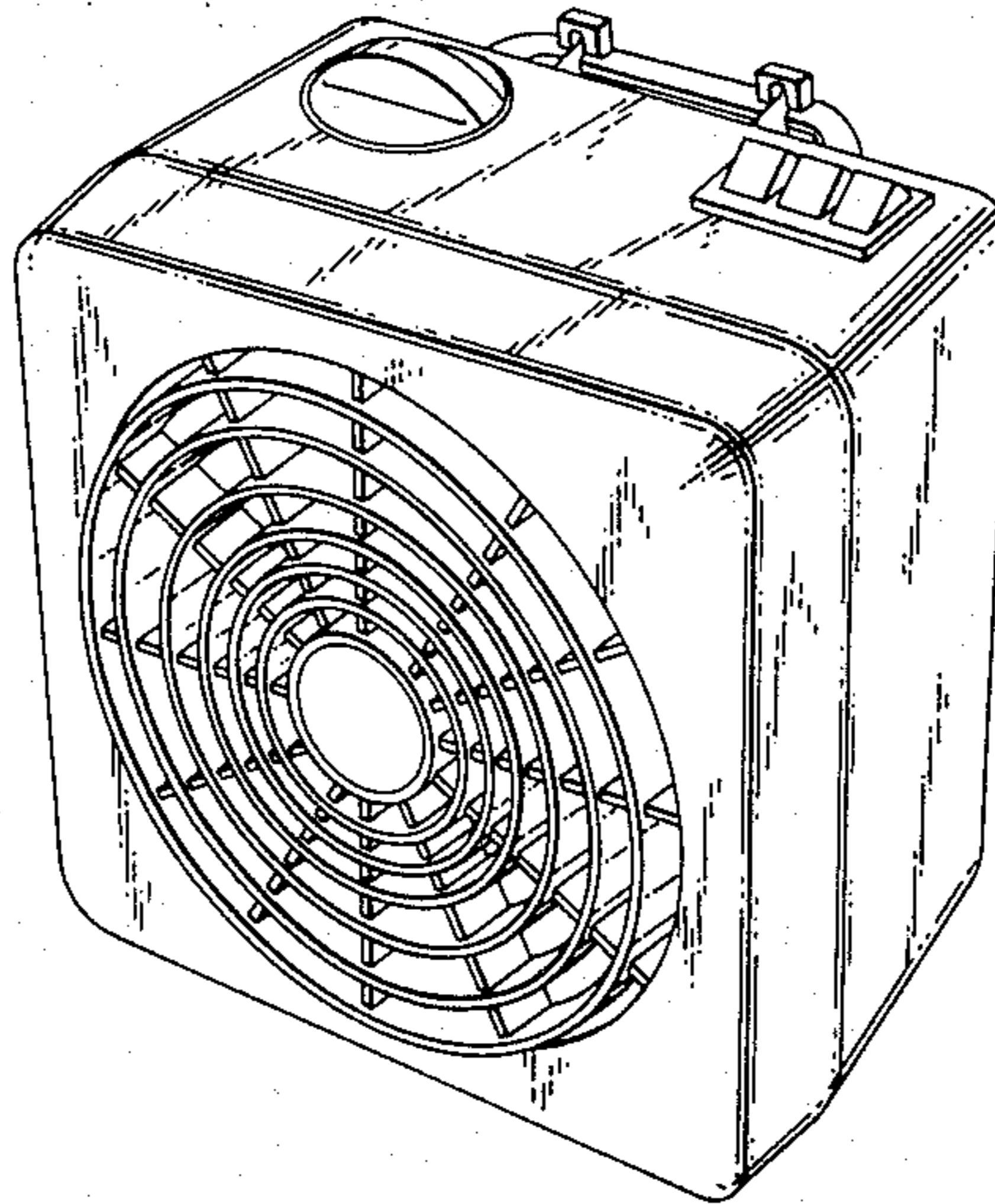
Primary Examiner—Catherine E. Kemper
Attorney, Agent, or Firm—Beall Law Offices

[57] CLAIM

The ornamental design for a combined electric fan and fan heater, substantially as shown and described.

DESCRIPTION

FIG. 1 is a front perspective view of a combined electric fan and fan heater, showing my new design; FIG. 2 is a front elevational view thereof; FIG. 3 is a rear elevational view thereof; FIG. 4 is a top plan view thereof; FIG. 5 is a side elevational view thereof; FIG. 6 is an elevational view of the opposite side thereof; FIG. 7 is a bottom plan view thereof; FIG. 8 is a rear perspective view thereof.



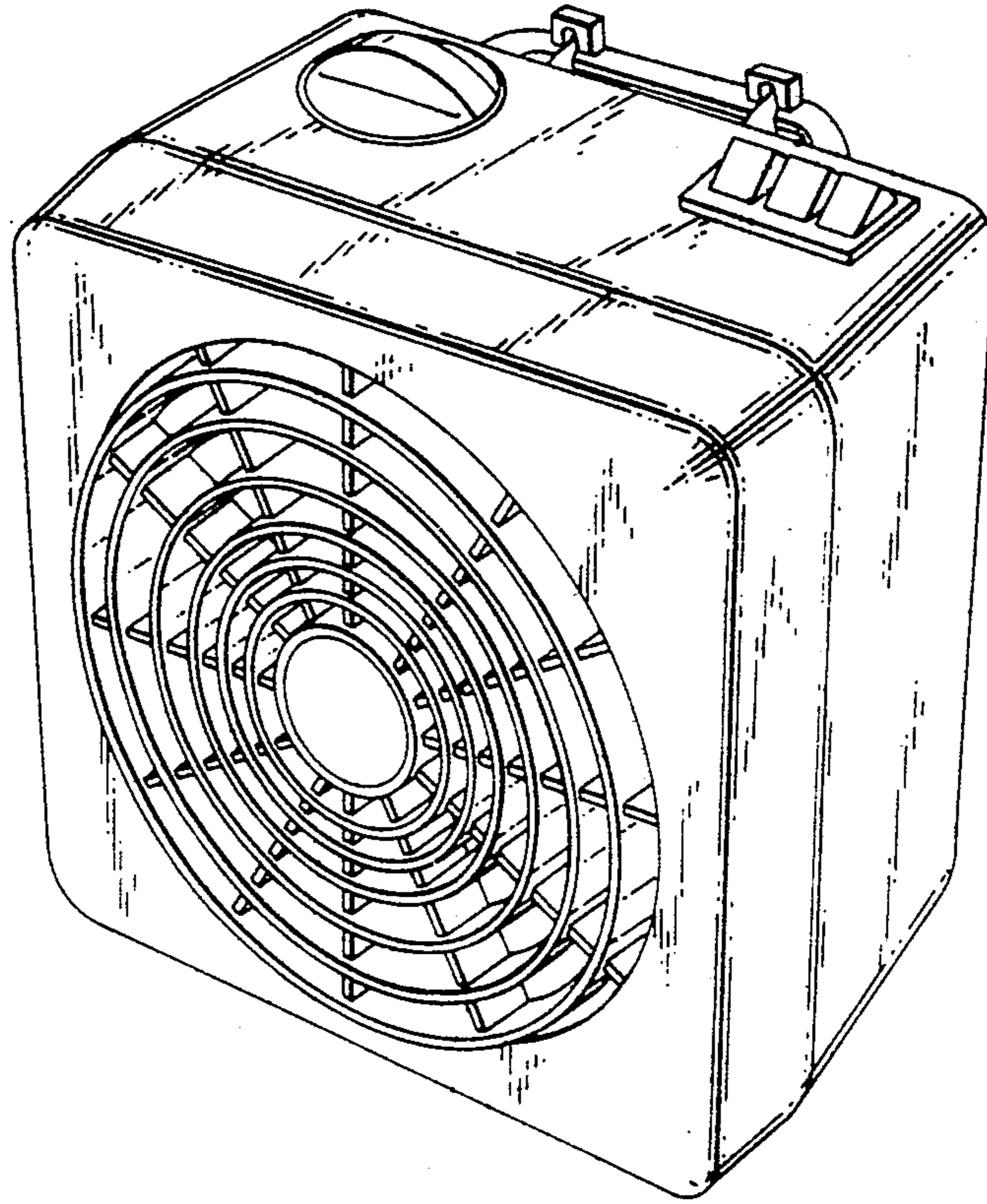


FIG. 1

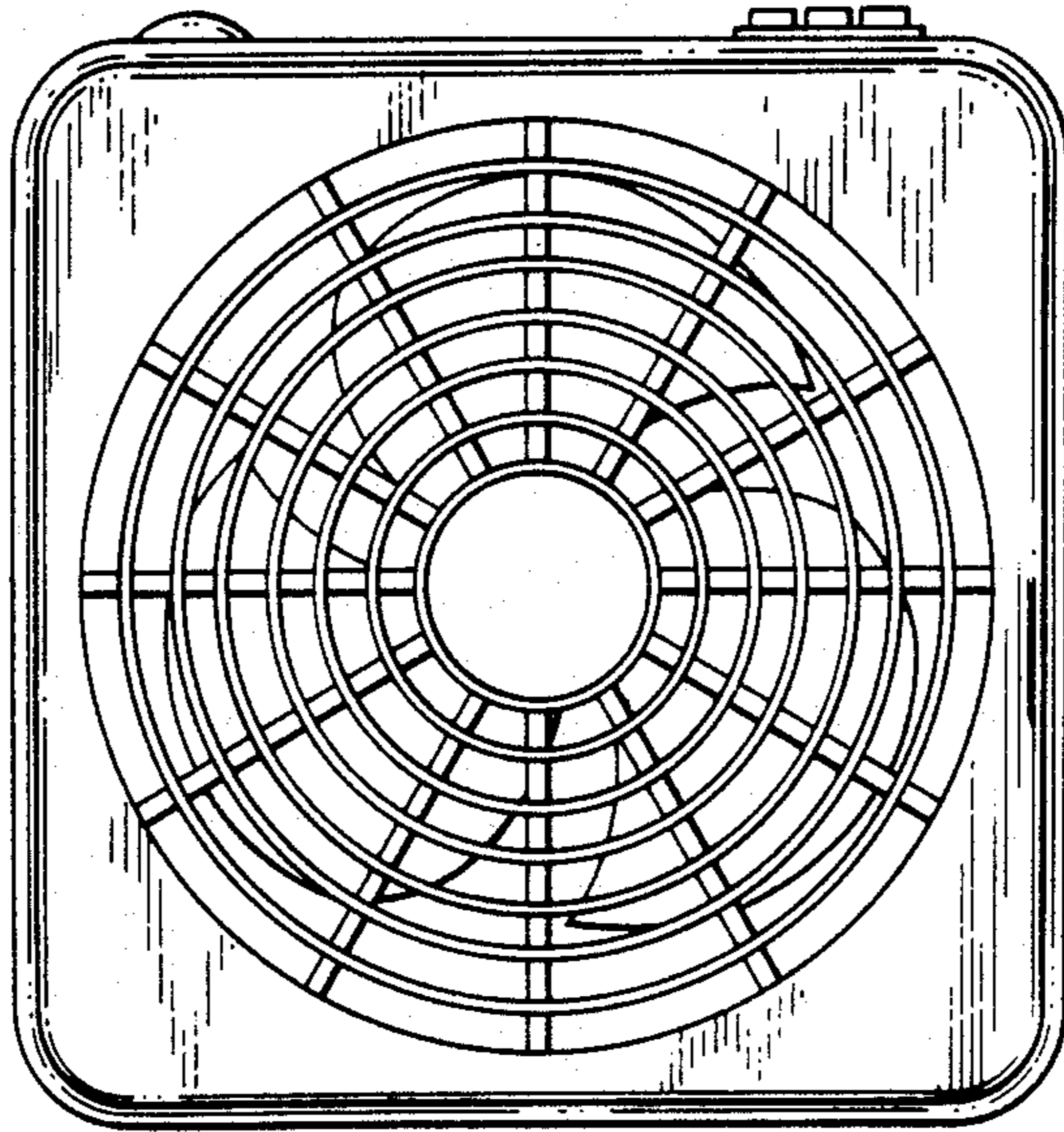


FIG. 2

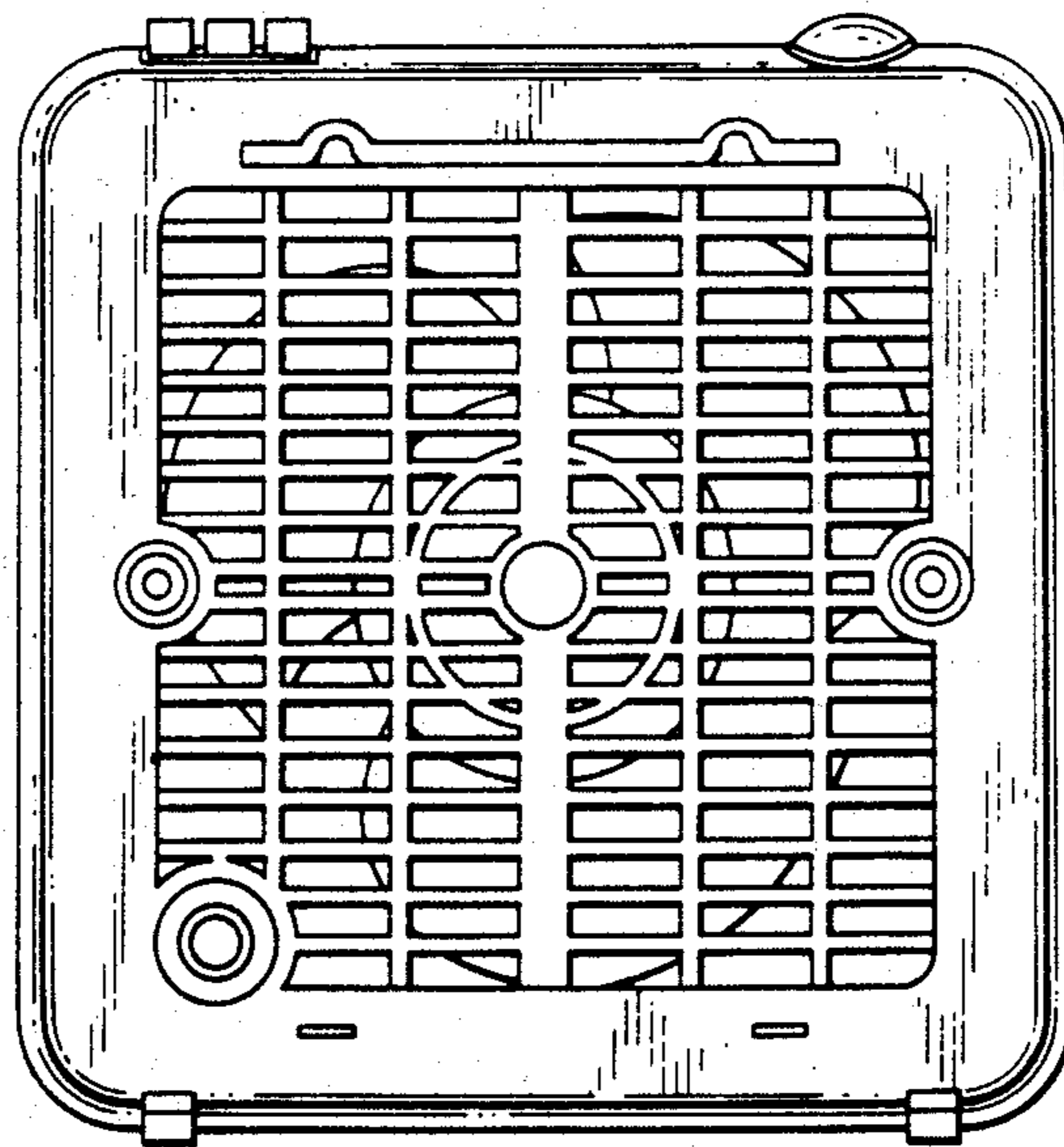


FIG. 3

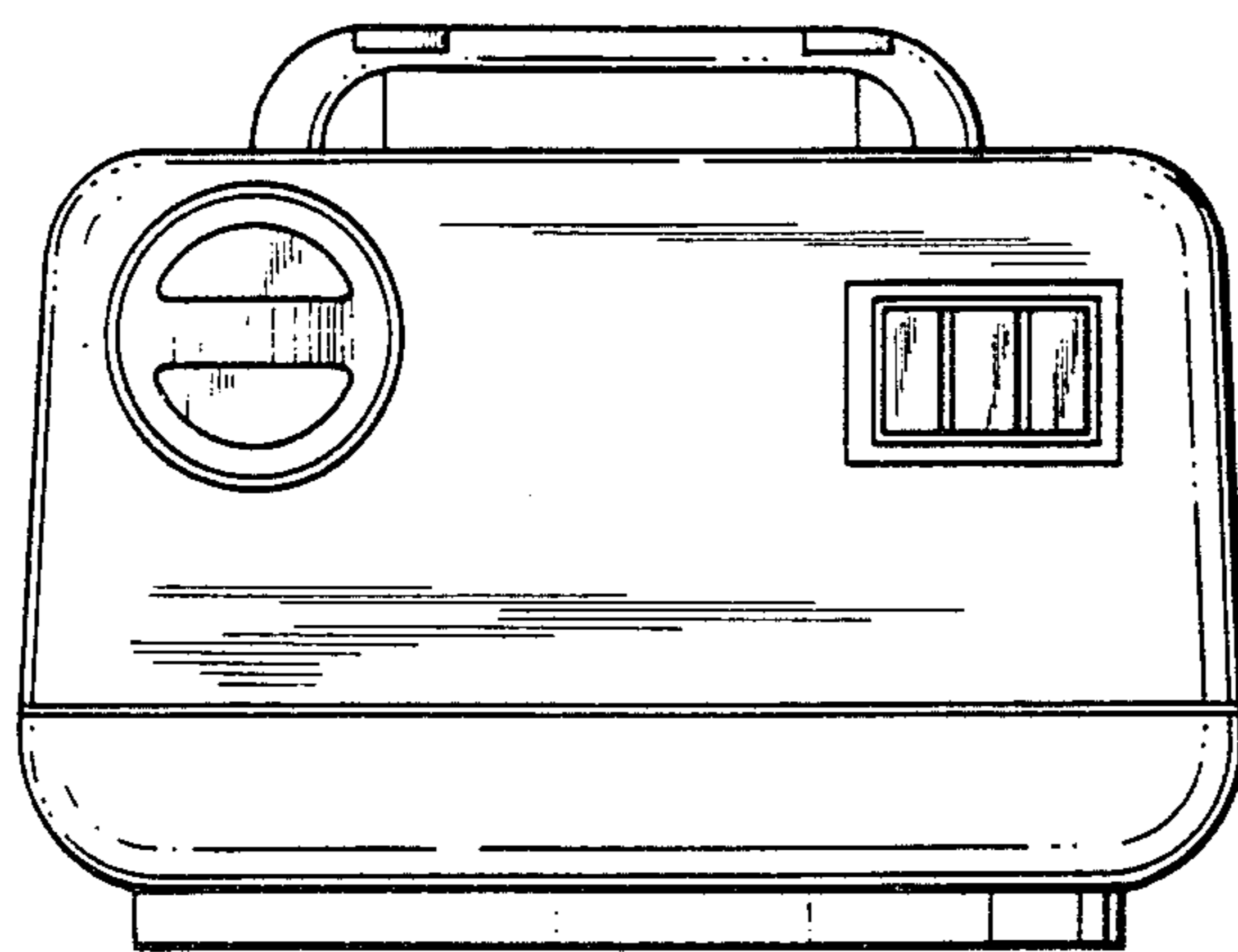


FIG. 4

FIG. 5

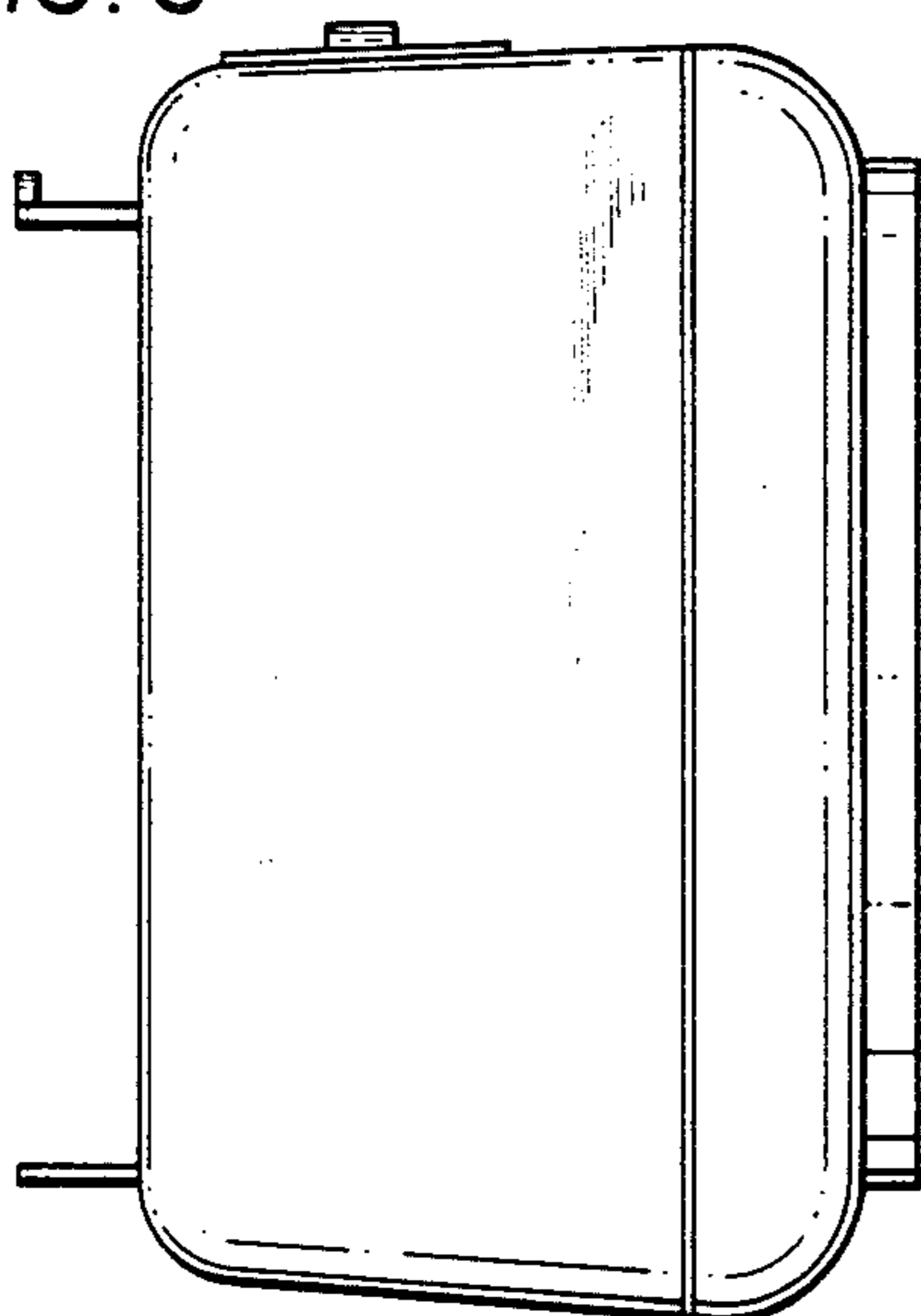


FIG. 6

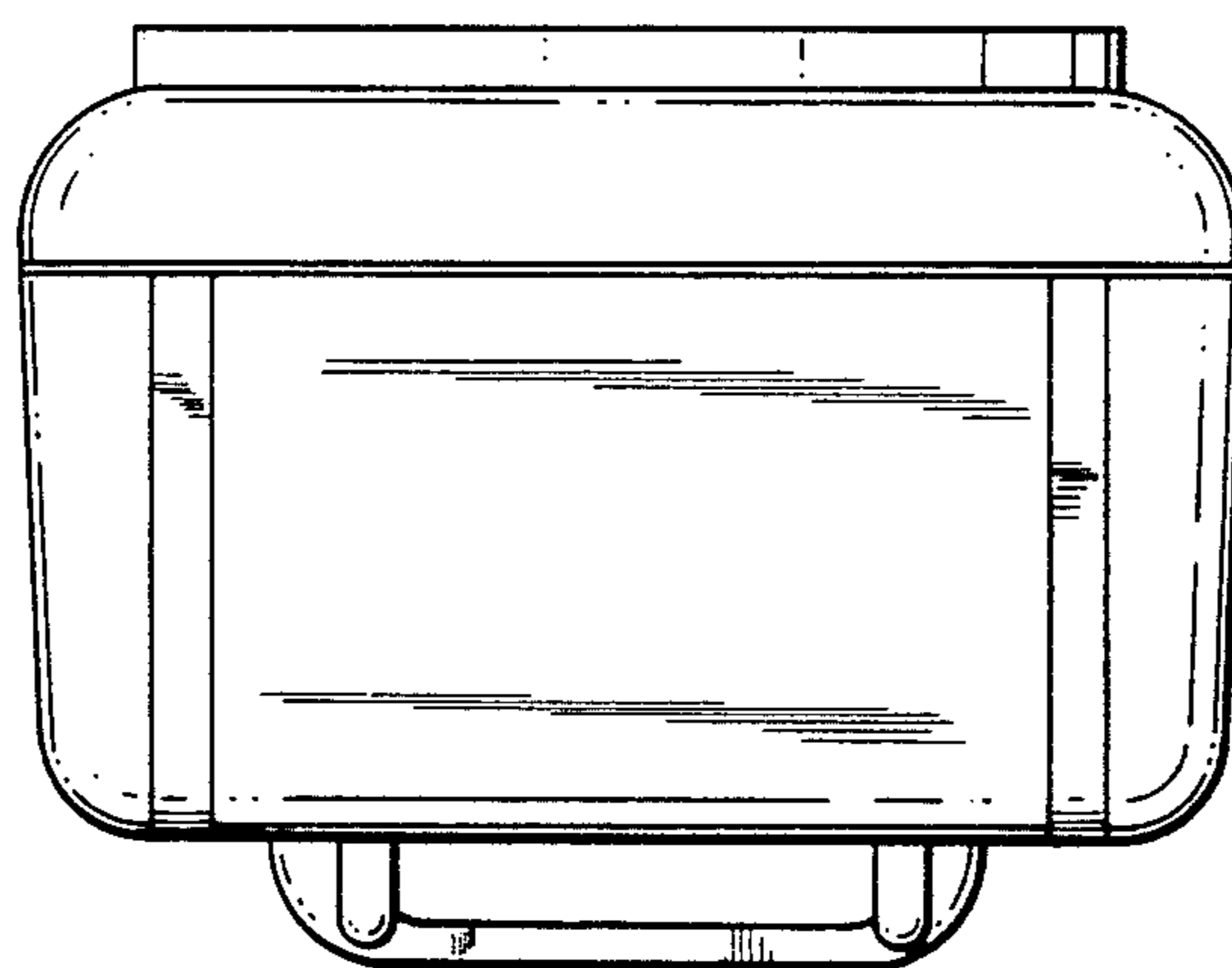
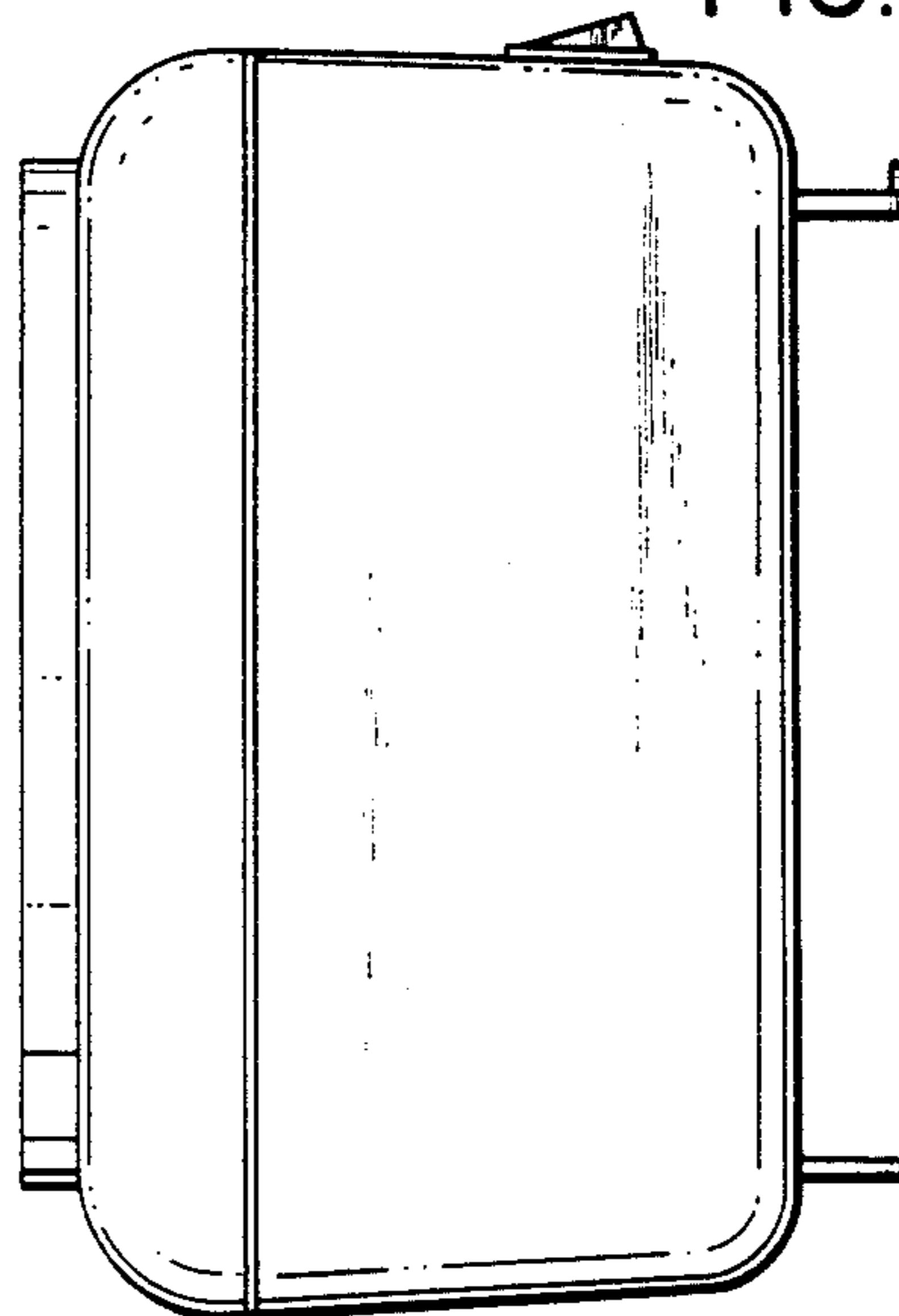


FIG. 7

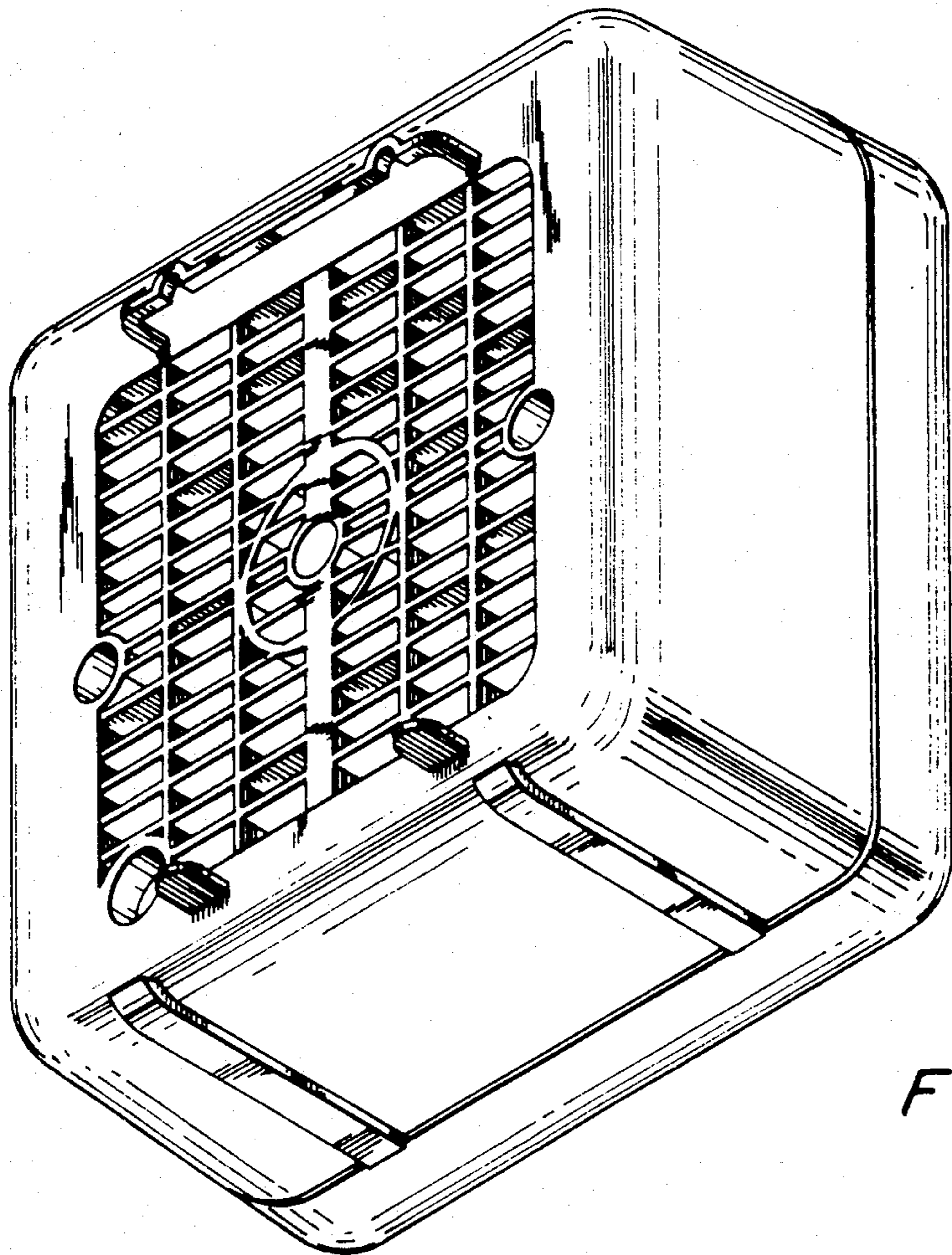


FIG. 8