

[54] FROSTPROOF HYDRANT

[75] Inventor: Philip L. Tropeano, Salem, Mass.

[73] Assignee: Larchmont Engineering and Irrigation, Inc., Lexington, Mass.

[**] Term: 14 Years

[21] Appl. No.: 419,785

[22] Filed: Sep. 20, 1982

[52] U.S. Cl. D23/12

[58] Field of Search D23/12; 137/272, 280, 137/294-296, 301-308

[56] References Cited

U.S. PATENT DOCUMENTS

- D. 226,482 3/1973 Uroshevich D23/12
- D. 236,468 8/1975 Peters D23/1
- D. 244,605 6/1977 Ratnik D23/12
- 636,909 11/1899 Mallinckrodt 137/307

- 1,172,959 2/1916 Dormon 137/307
- 1,200,961 10/1916 Mabe et al. 137/307 X
- 1,561,736 11/1925 Menigo 137/302
- 2,099,928 11/1937 Doppelhammer 137/303 X
- 2,109,187 2/1938 Vogel 137/307 X
- 3,036,466 11/1962 Hayden 137/307
- 3,380,533 4/1968 Andrew 137/307
- 3,858,599 1/1975 Carlson 137/307 X
- 3,943,963 3/1976 Papacek 137/307 X

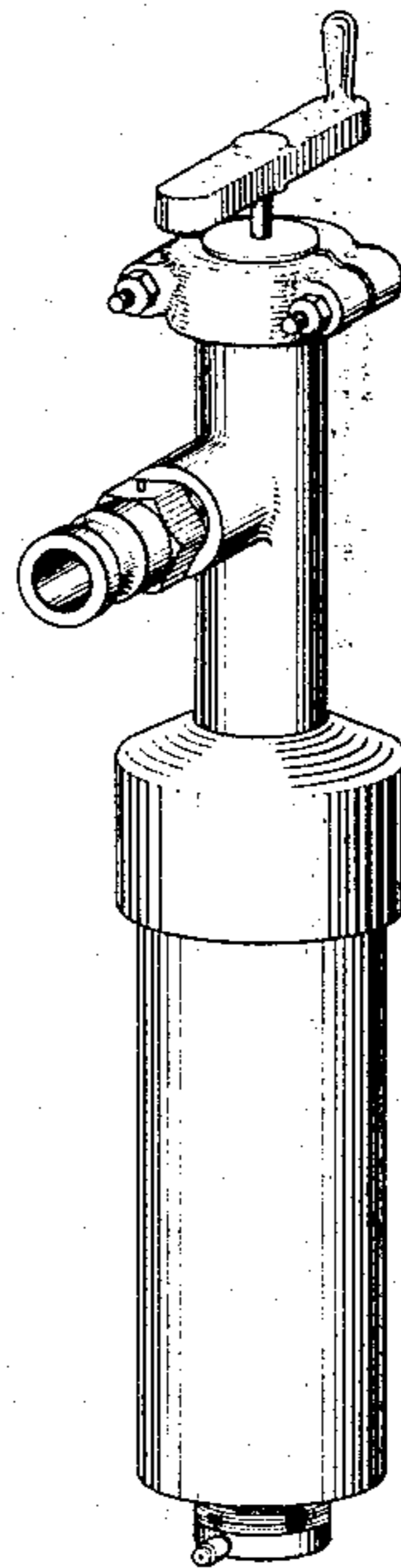
Primary Examiner—James R. Largen
Attorney, Agent, or Firm—William, Brinks, Olds, Hofer, Gilson & Lione

[57] CLAIM

The ornamental design for a frostproof hydrant, as shown.

DESCRIPTION

FIG. 1 is a front perspective view of a frostproof hydrant showing my new design;
FIG. 2 is a rear perspective view thereof.



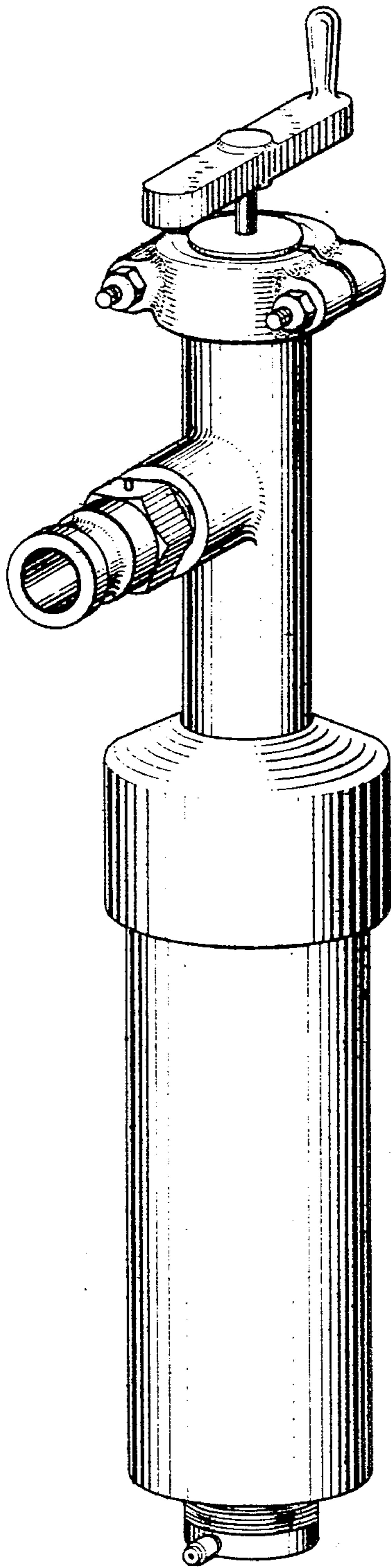


FIG. 1.

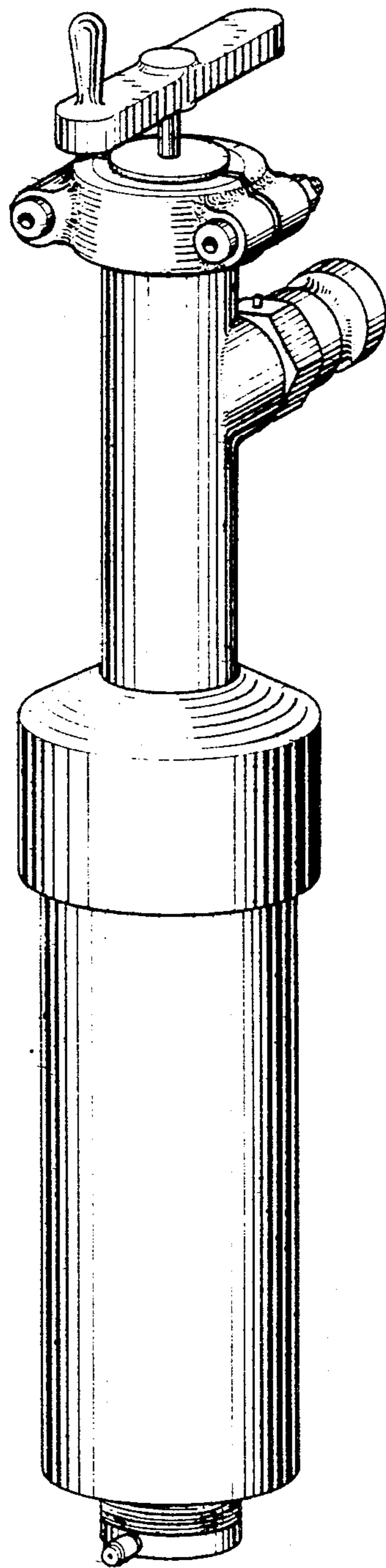


FIG. 2.

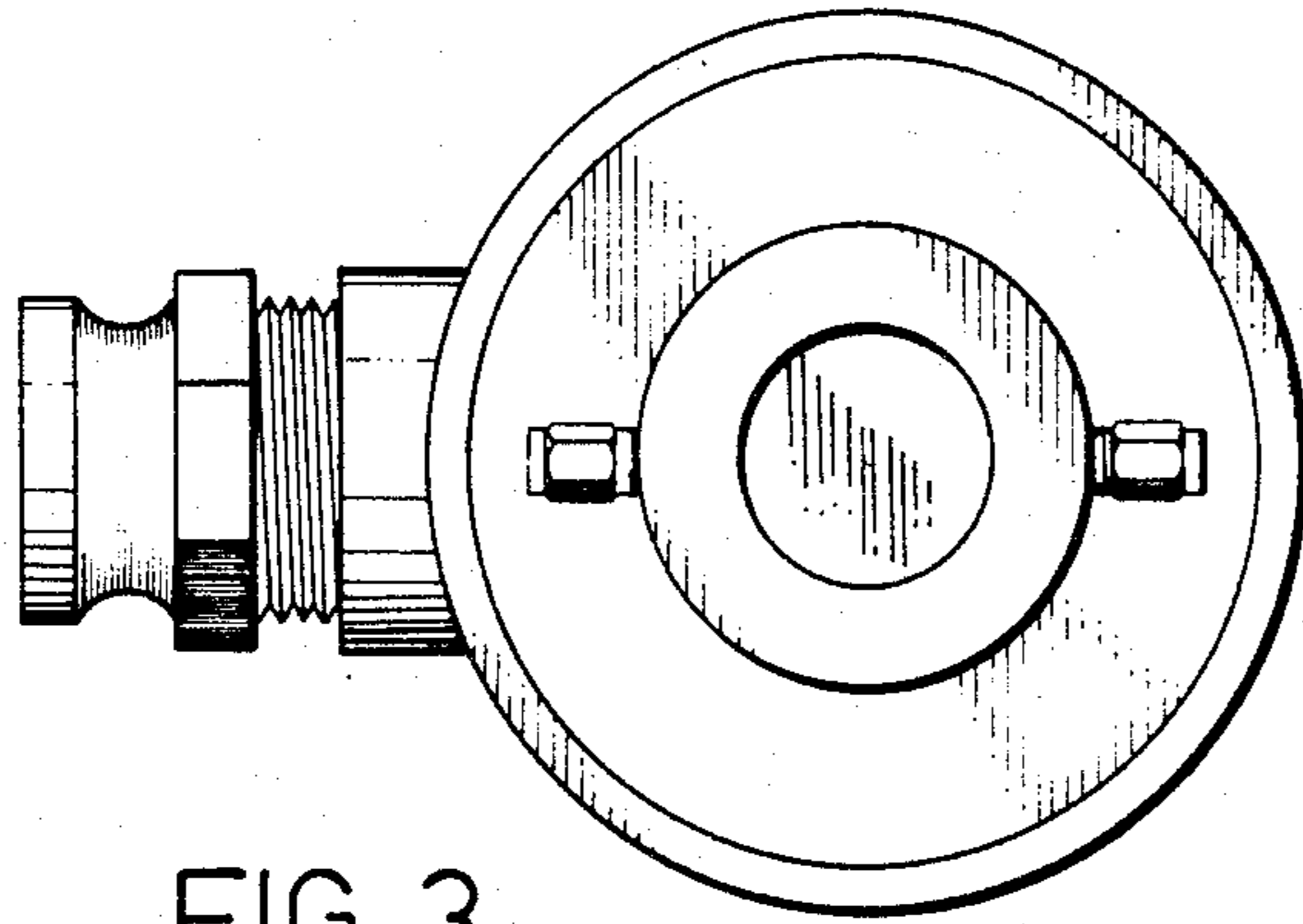


FIG. 3

UNITED STATES PATENT AND TRADEMARK OFFICE
CERTIFICATE OF CORRECTION

PATENT NO. : DES. 282,099
DATED : JAN. 7, 1986
INVENTOR(S) : PHILIP L. TROPEANO

It is certified that error appears in the above-identified patent and that said Letters Patent is hereby corrected as shown below:

As the last line at the end of the DESCRIPTION,
please insert --FIG. 3 is a bottom view thereof.--

Signed and Sealed this
Thirteenth Day of May 1986

[SEAL]

Attest:

DONALD J. QUIGG

Attesting Officer

Commissioner of Patents and Trademarks