

[54] SPRINKLER

[76] Inventors: Stephen A. Gural, W. 6595 Harbor Dr., Coeur d'Alene, Id. 83814; Robert L. Kay, Box 1701, Sandpoint, Id. 83864; Arthur W. Gural, 3375 E. Driftwood Dr., Coeur d'Alene, Id. 83814

[**] Term: 14 Years

[21] Appl. No.: 460,535

[22] Filed: Jan. 24, 1983

[52] U.S. Cl. D23/7

[58] Field of Search D23/6-11; 239/251, 279, 280, 280.5

[56] References Cited

U.S. PATENT DOCUMENTS

D. 140,665	3/1945	Loverde	D23/7
172,024	1/1876	Hug	239/251 X
370,922	10/1887	Best	D23/7 X
425,340	4/1890	Oswald	239/251
911,717	2/1909	Gibbs	239/251
1,207,790	2/1916	Peterson	239/280
1,577,225	3/1926	Granger	
1,846,395	2/1932	Hoffaker	239/251 X
1,959,886	5/1934	Wadsworth	

2,271,823	2/1942	Hundertmark	D23/7 X
2,694,600	11/1954	Richey	239/280 X
2,727,366	12/1955	Hagen	239/251 X
2,731,296	1/1956	Griffith	239/279 X
2,895,682	7/1959	Tavone	

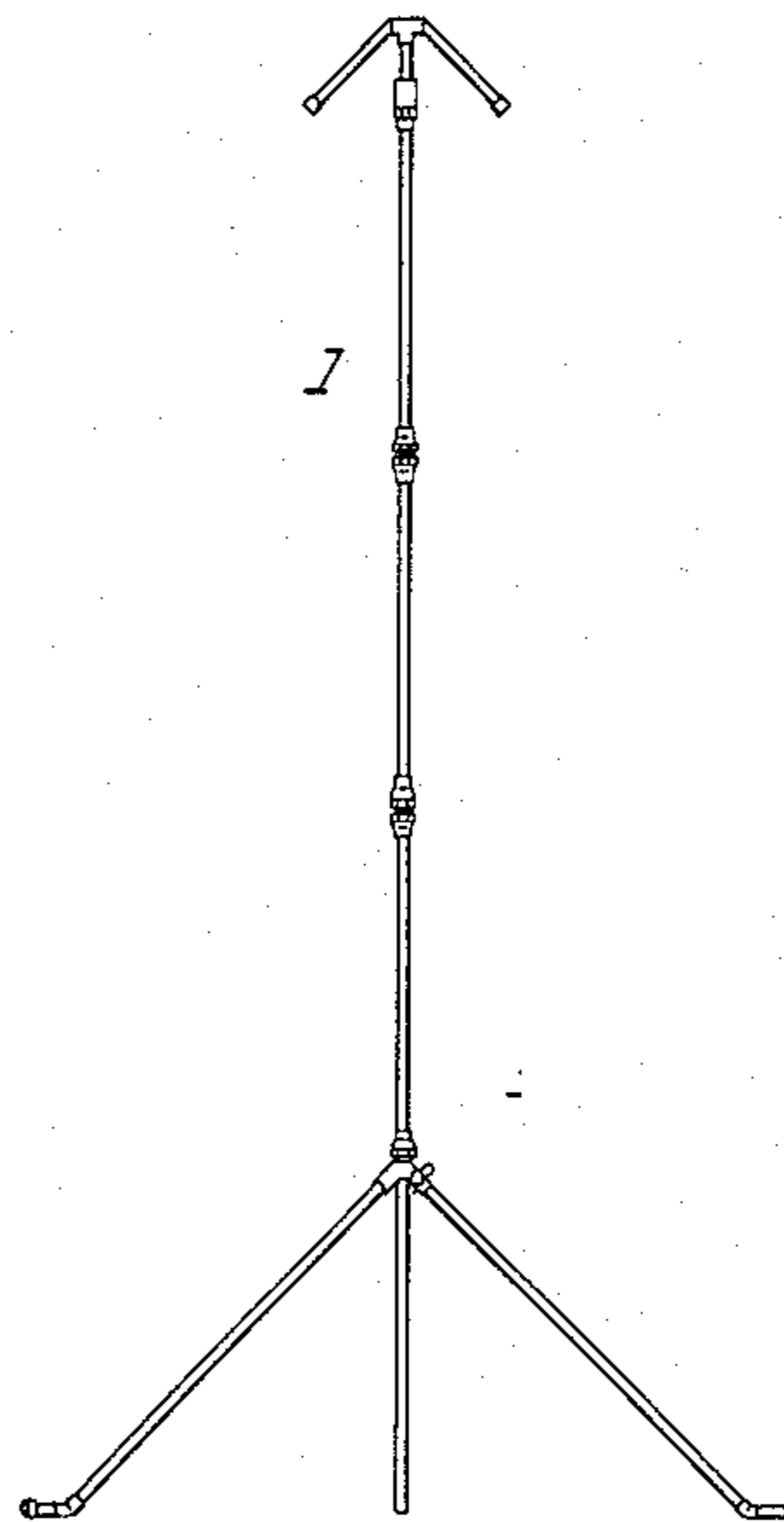
Primary Examiner—James R. Largen
Attorney, Agent, or Firm—Wells, St. John & Roberts

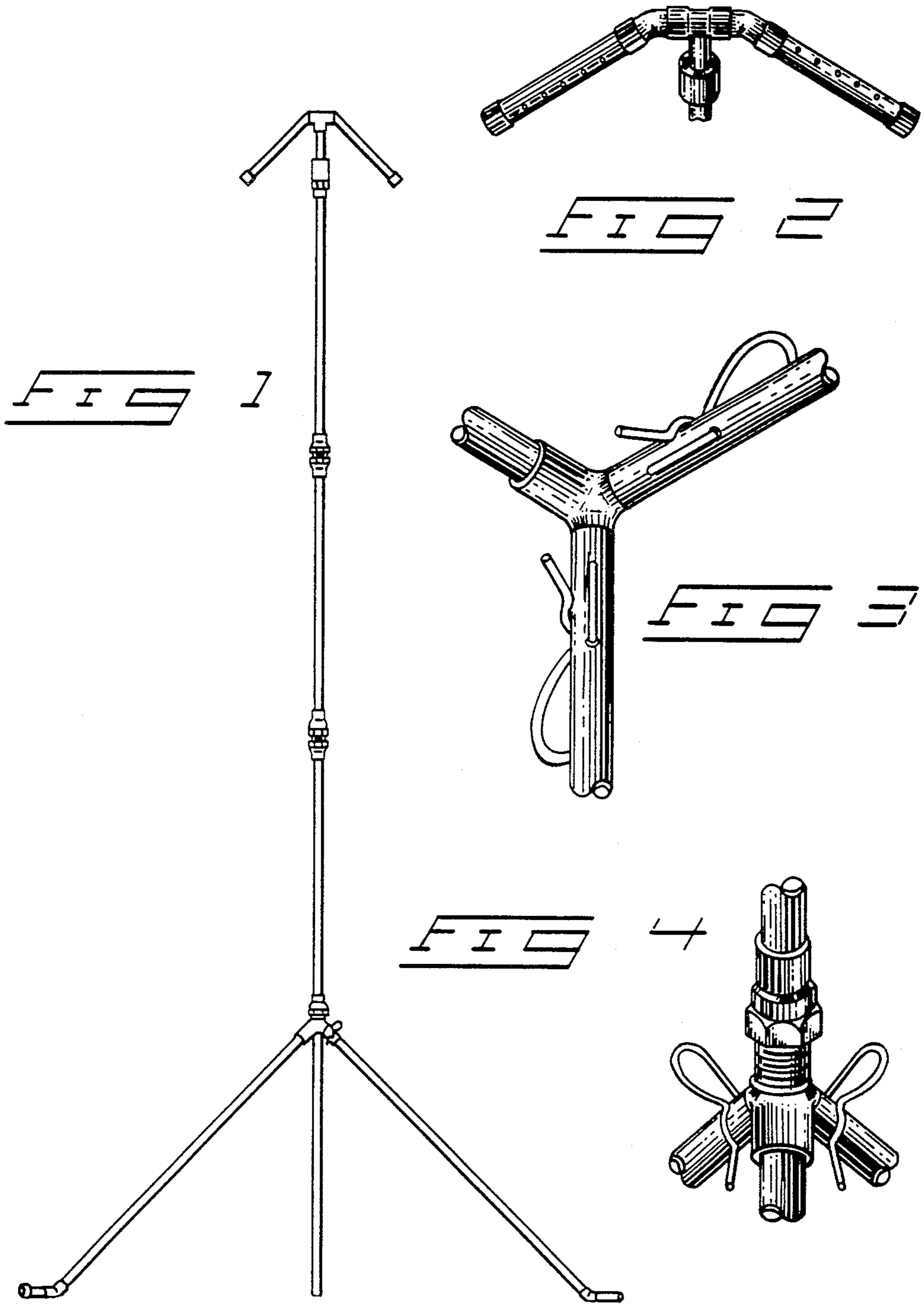
[57] CLAIM

The ornamental design for a sprinkler, as shown and described.

DESCRIPTION

FIG. 1 is an elevational view of a sprinkler showing our new design;
FIG. 2 is an enlarged fragmentary perspective view of the spray portion thereof;
FIG. 3 is an enlarged fragmentary bottom plan view thereof;
FIG. 4 is an enlarged fragmentary perspective view of the junction between the base and the riser;
FIG. 5 is a top plan view thereof;
FIG. 6 is an enlarged fragmentary elevational view of the hose connecting portion of the base; and
FIG. 7 is an enlarged fragmentary perspective view thereof taken from the side opposite that shown in FIG. 4.





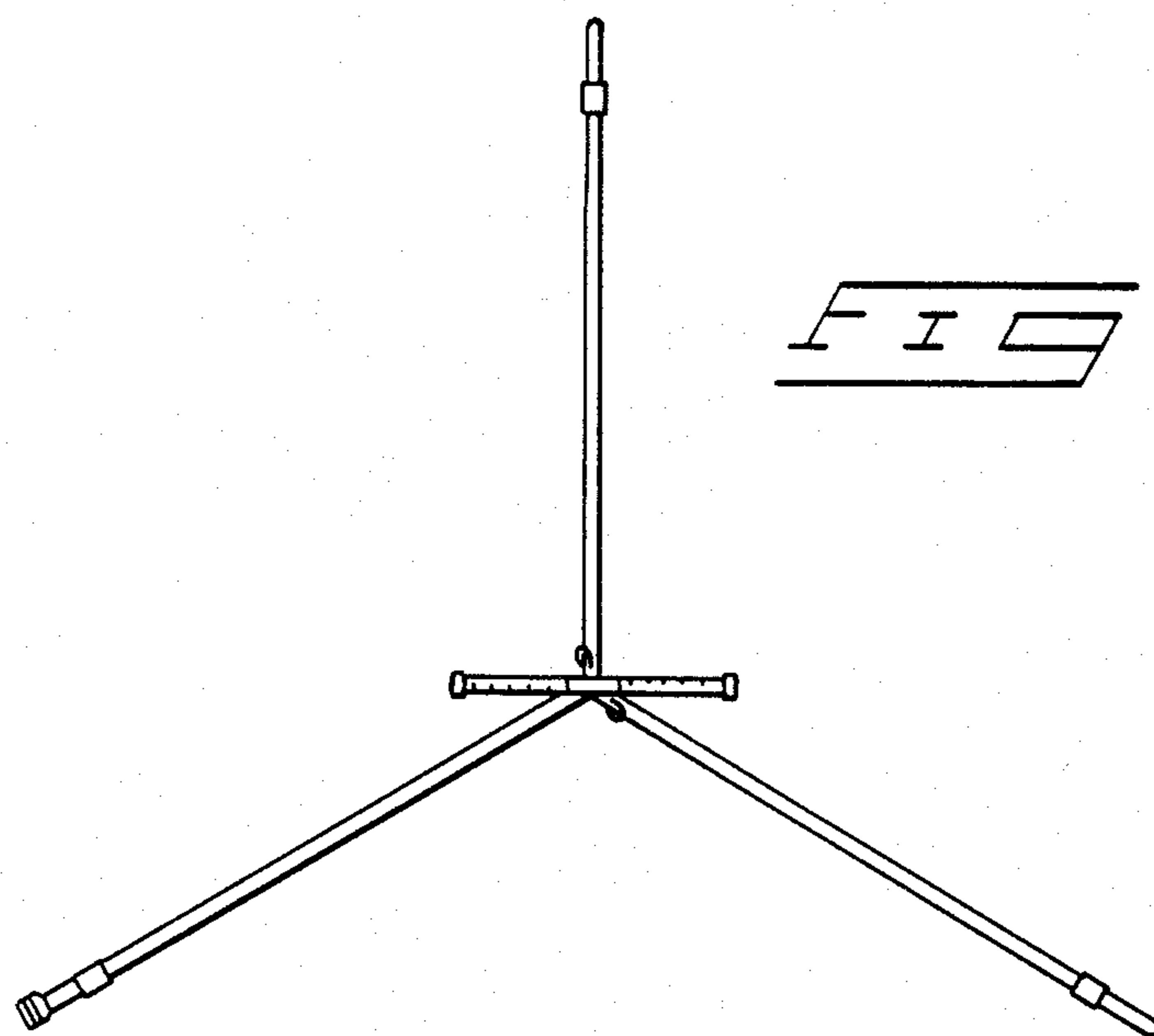


FIG. 4

FIG. 7

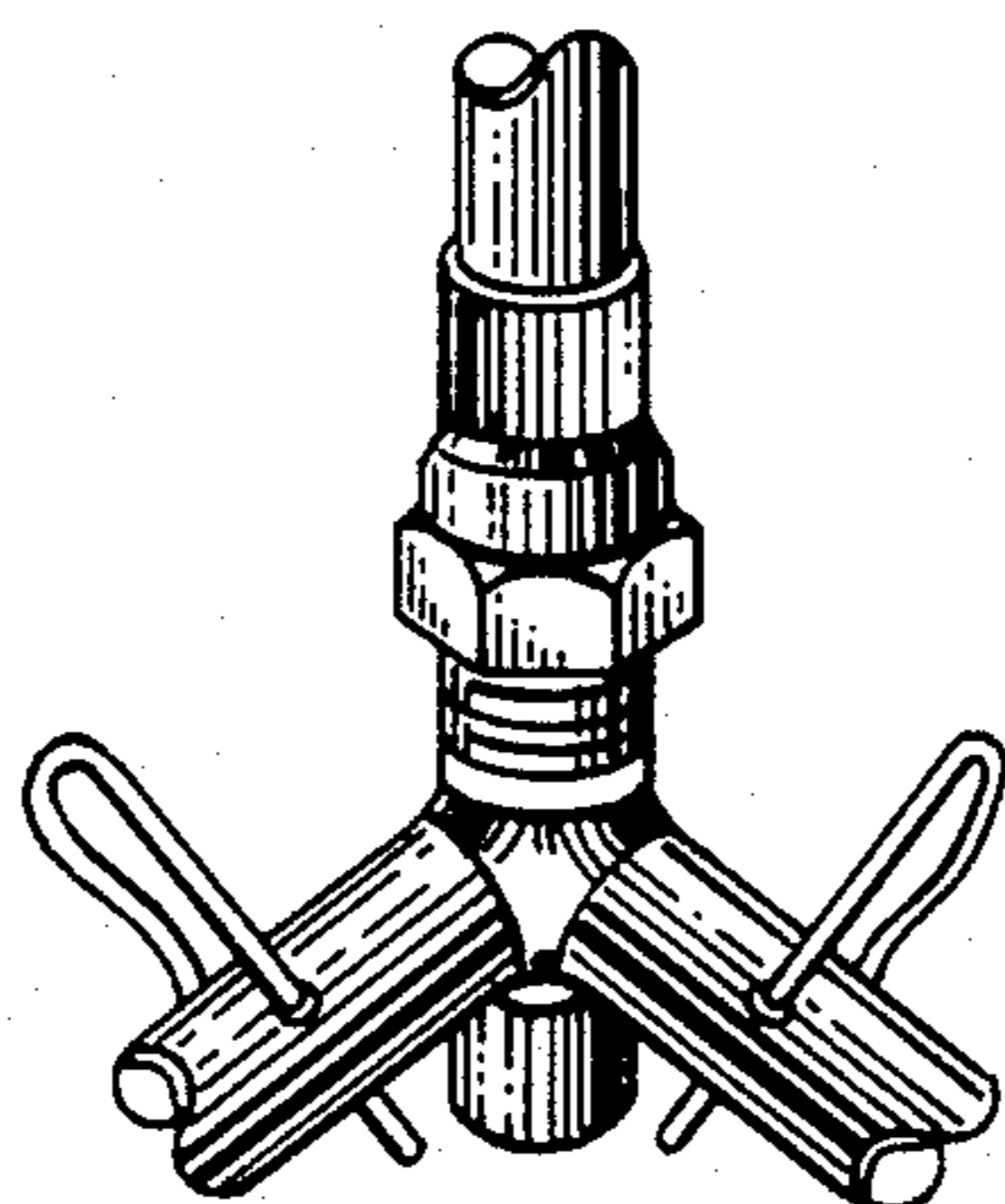


FIG. 5