

United States Patent [19]

Nativo

[11] Patent Number: **Des. 282,097**

[45] Date of Patent: **** Jan. 7, 1986**

[54] **FISHING KNIFE**

[76] Inventor: **George Nativo**, 15011 Florwood,
Hawthorne, Calif. 90250

[**] Term: **14 Years**

[21] Appl. No.: **499,509**

[22] Filed: **May 31, 1983**

[52] U.S. Cl. **D22/1; D7/106;**
D22/31

[58] Field of Search 30/355, 356, 136, 172,
30/287; 17/66, 69; 43/53.5; D7/106; D22/1, 31

[56] **References Cited**

U.S. PATENT DOCUMENTS

D. 229,659 12/1973 Murnan D7/106

D. 240,035	5/1976	Ruth	D22/31
1,552,153	9/1925	Hartbauer	30/355 X
2,372,831	4/1945	Howard	17/66
2,822,845	2/1958	Medlin	17/69 X
3,353,207	11/1967	Weinberger	17/69

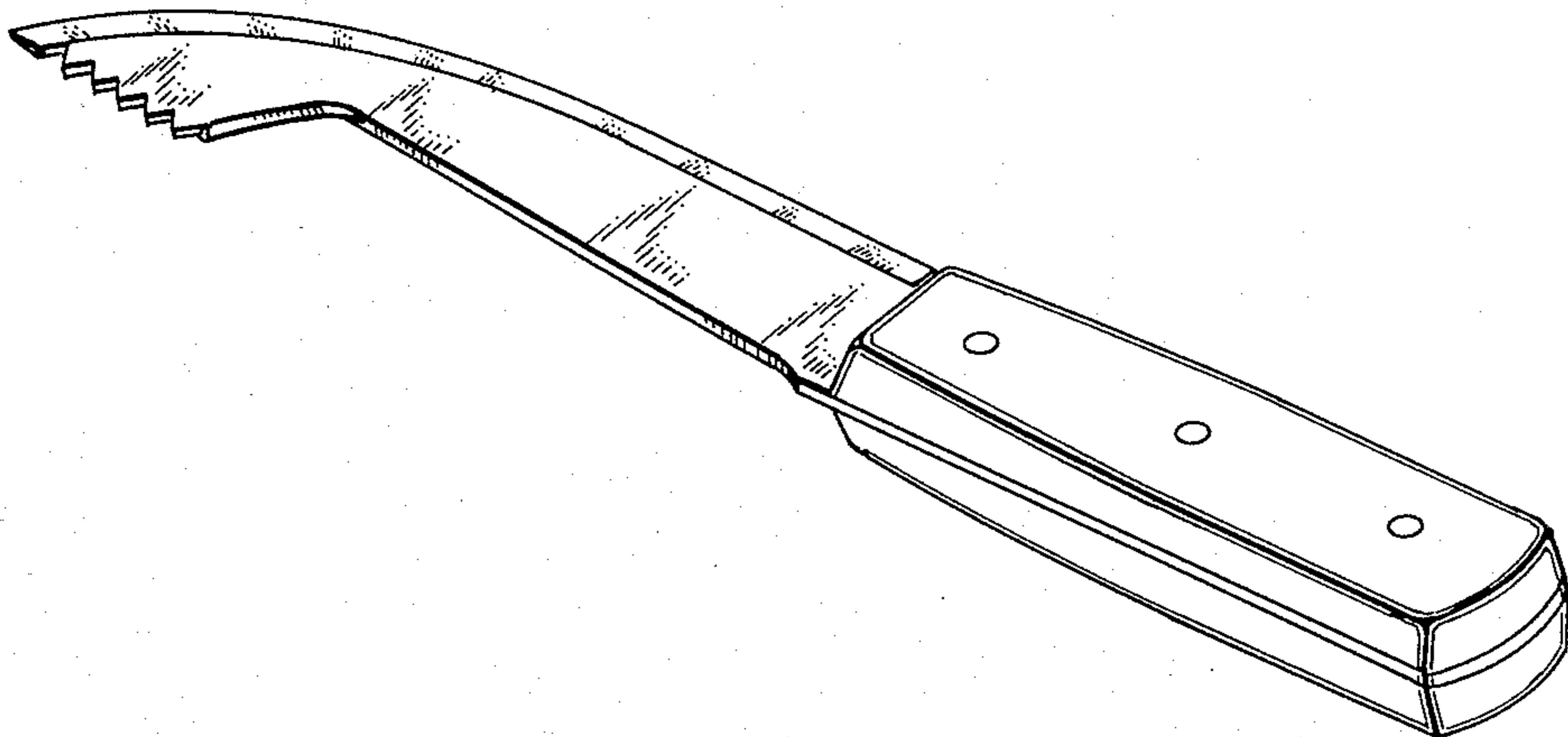
Primary Examiner—A. Hugo Word
Attorney, Agent, or Firm—Bruce A. Jagger

[57] **CLAIM**

The ornamental design for a fishing knife, as shown.

DESCRIPTION

FIG. 1 is a perspective view of a fishing knife showing my new design;
FIG. 2 is an additional perspective view thereof;
FIG. 3 is a top view thereof; and
FIG. 4 is a side view thereof.



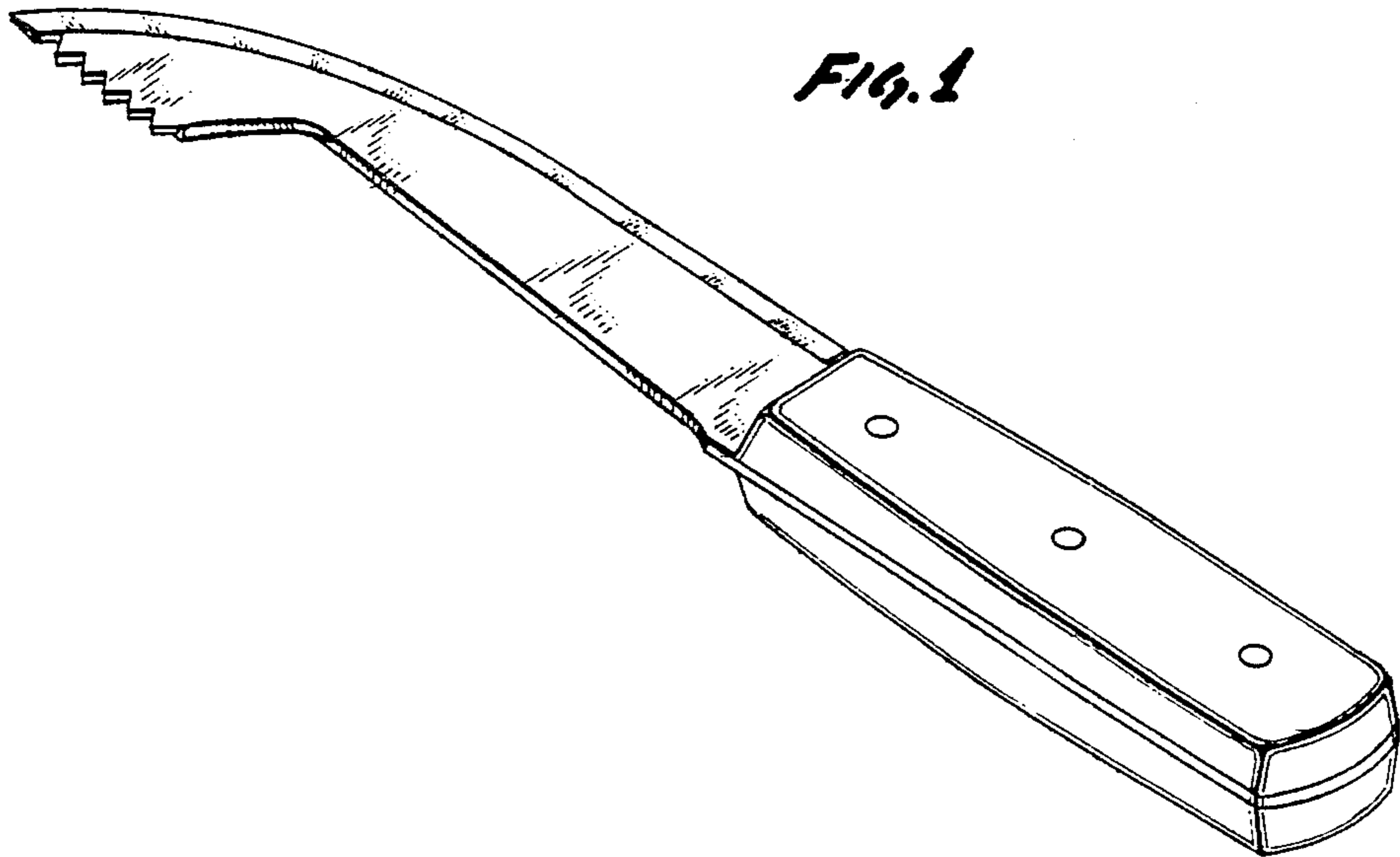


FIG. 1

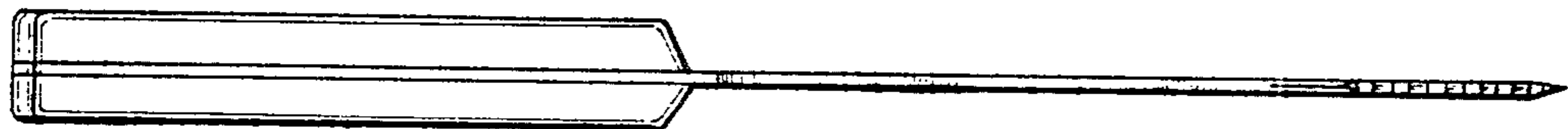


FIG. 3

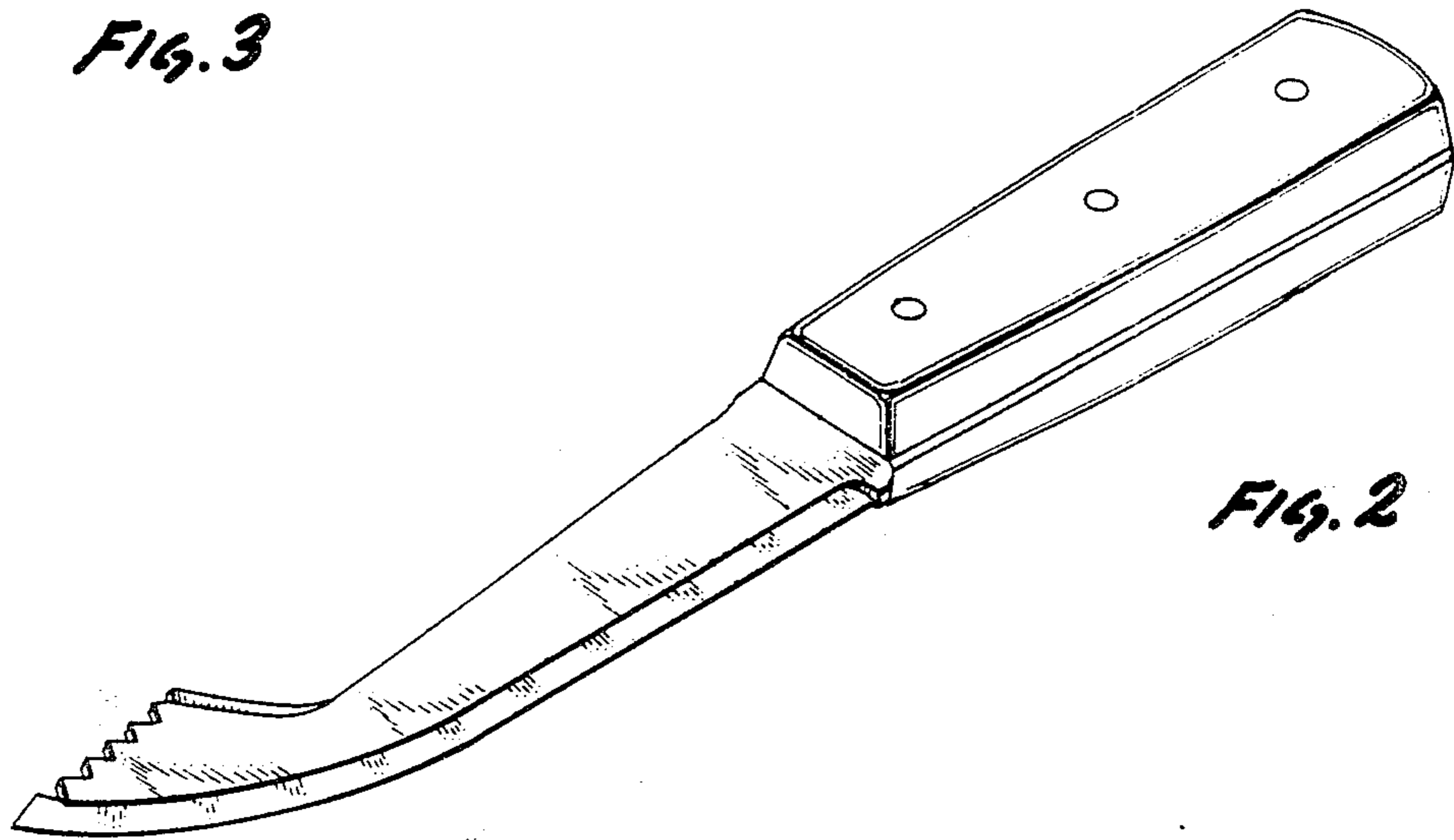


FIG. 2

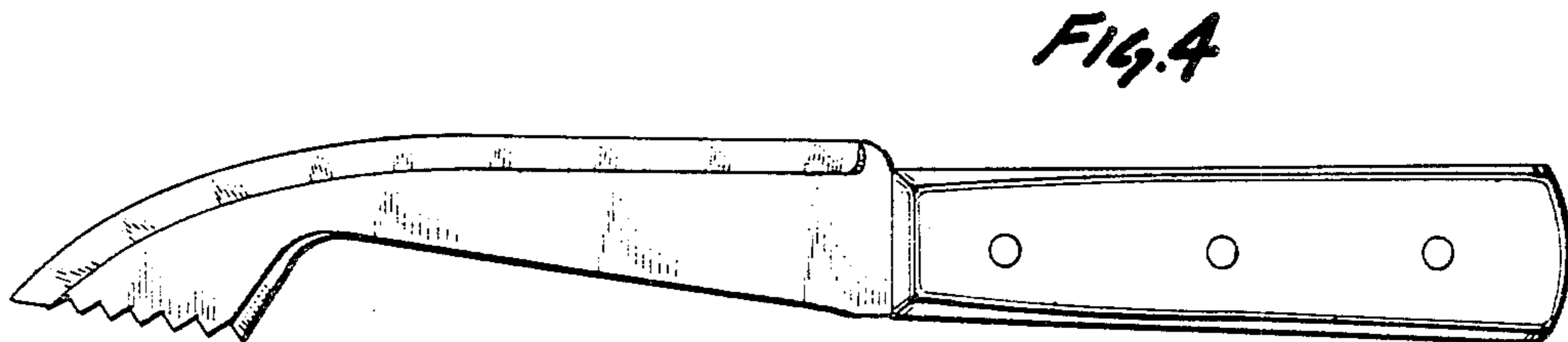


FIG. 4