

[54] ROLLER SKATE

[56]

References Cited

U.S. PATENT DOCUMENTS

[75] Inventors: Frederick B. Robjent, Orchard Park, N.Y.; Reuben B. Klamer, La Jolla, Calif.

3,302,954	2/1967	Elwell	280/11.19
3,649,038	3/1972	Huckenbeck	280/11.19
4,304,417	12/1981	Hsieh	280/11.19
4,468,045	8/1984	Sarazen	D21/226

[73] Assignee: The Quaker Oats Company, Chicago, Ill.

Primary Examiner—Charles A. Rademaker
Attorney, Agent, or Firm—Cumpston & Shaw

[**] Term: 14 Years

[57]

CLAIM

The ornamental design for a roller skate, substantially as shown and described.

[21] Appl. No.: 578,488

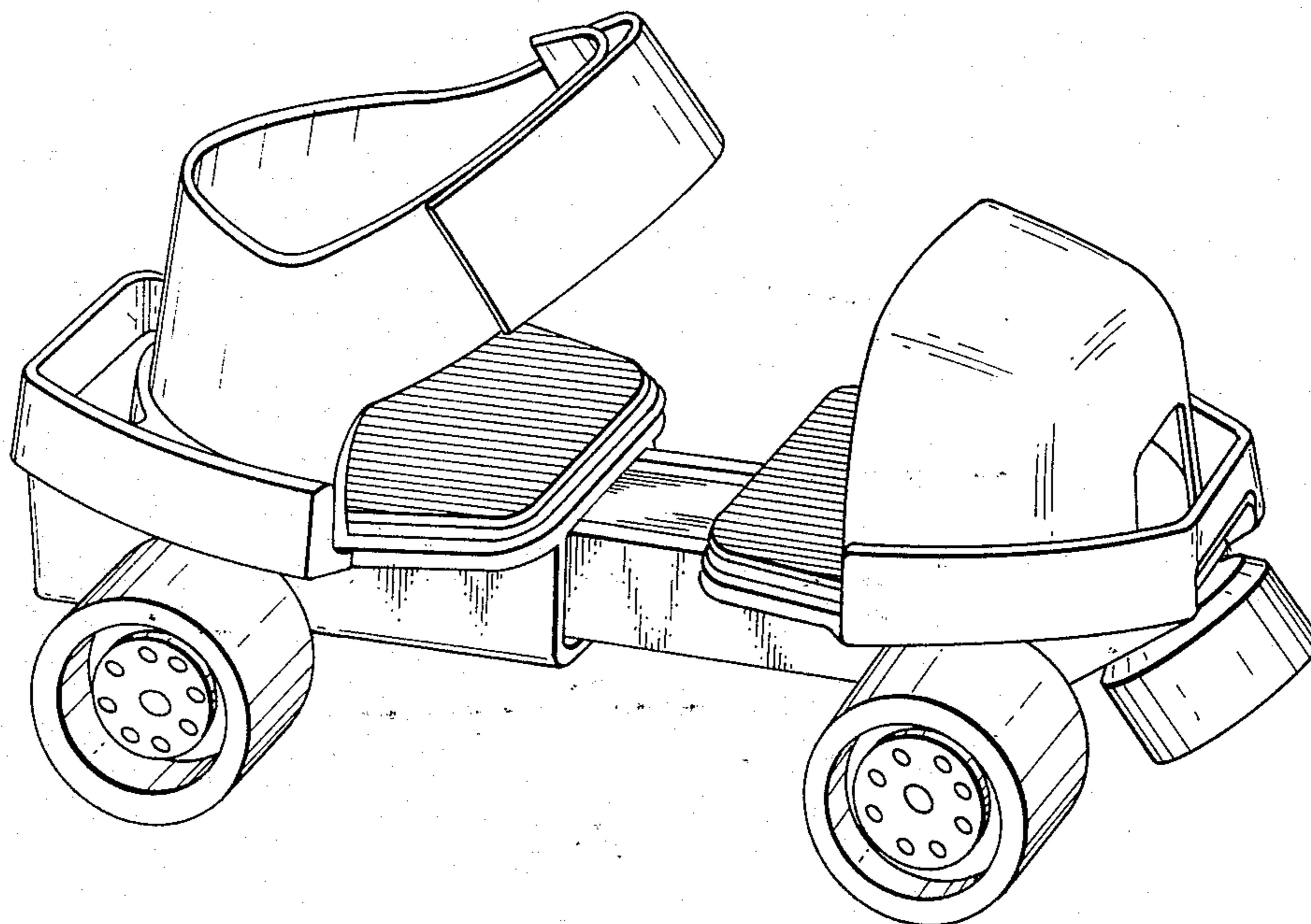
DESCRIPTION

[22] Filed: Feb. 9, 1984

[52] U.S. Cl. D21/226

[58] Field of Search D21/226, 227; 280/11.1 R, 11.19, 11.20, 11.27, 11.28

FIG. 1 is a perspective view of a roller skate taken from the right front and showing our new design; FIG. 2 is a left-side elevational view thereof, the right side being substantially a mirror image thereof, except for the uppermost portion which is shown in FIG. 1; FIG. 3 is a rear elevational view thereof; and FIG. 4 is a bottom plan view thereof.



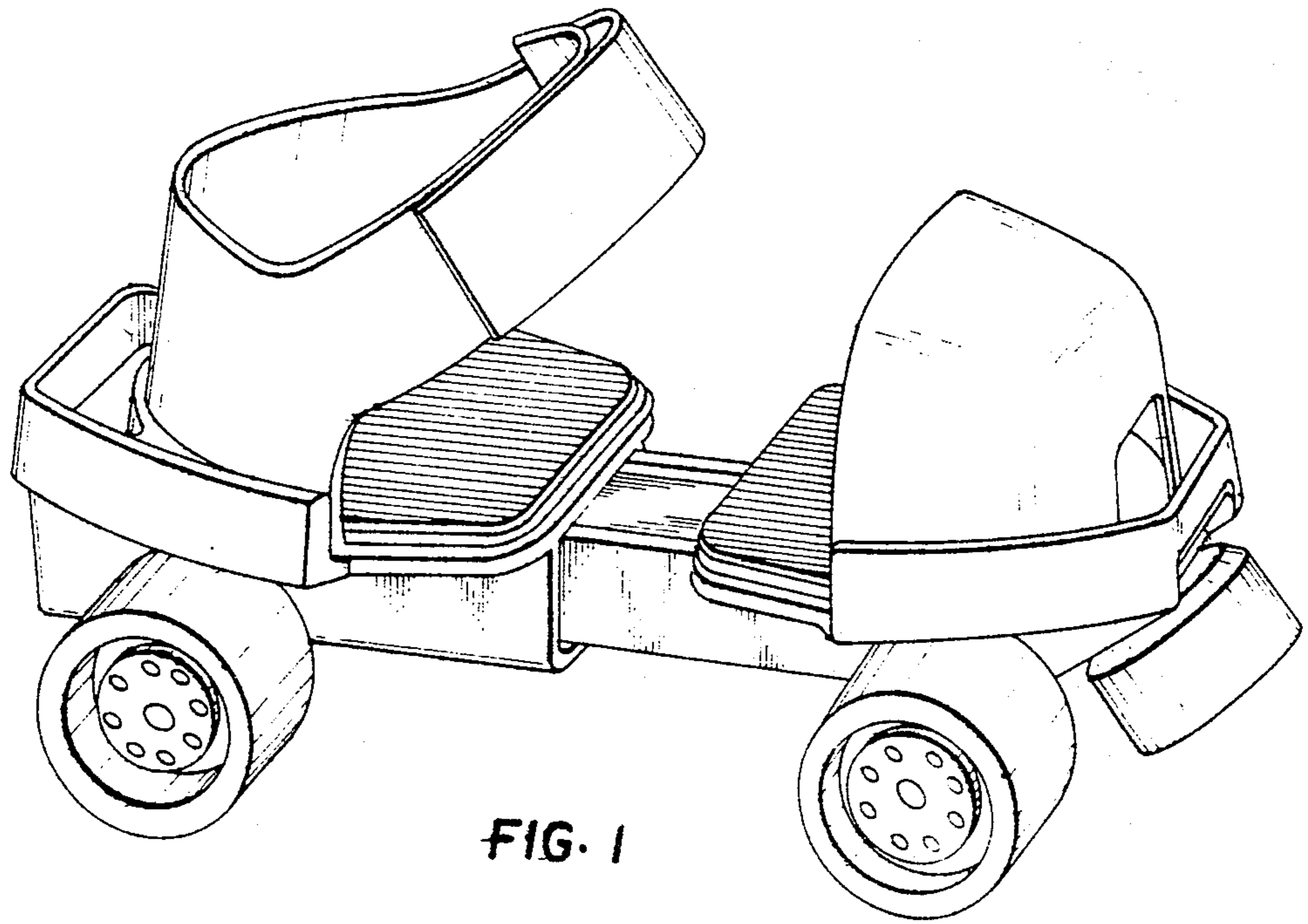


FIG. 1

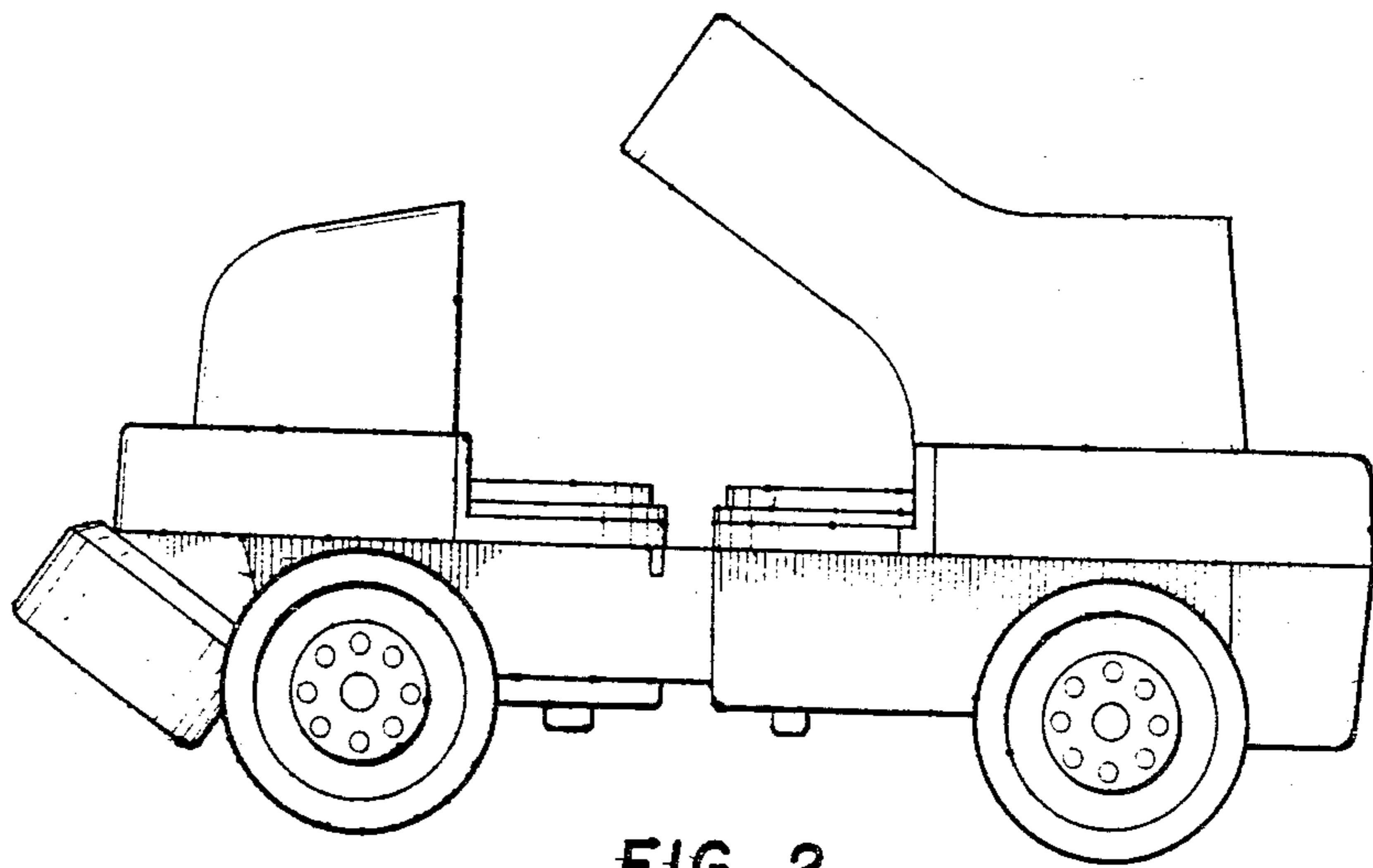


FIG. 2

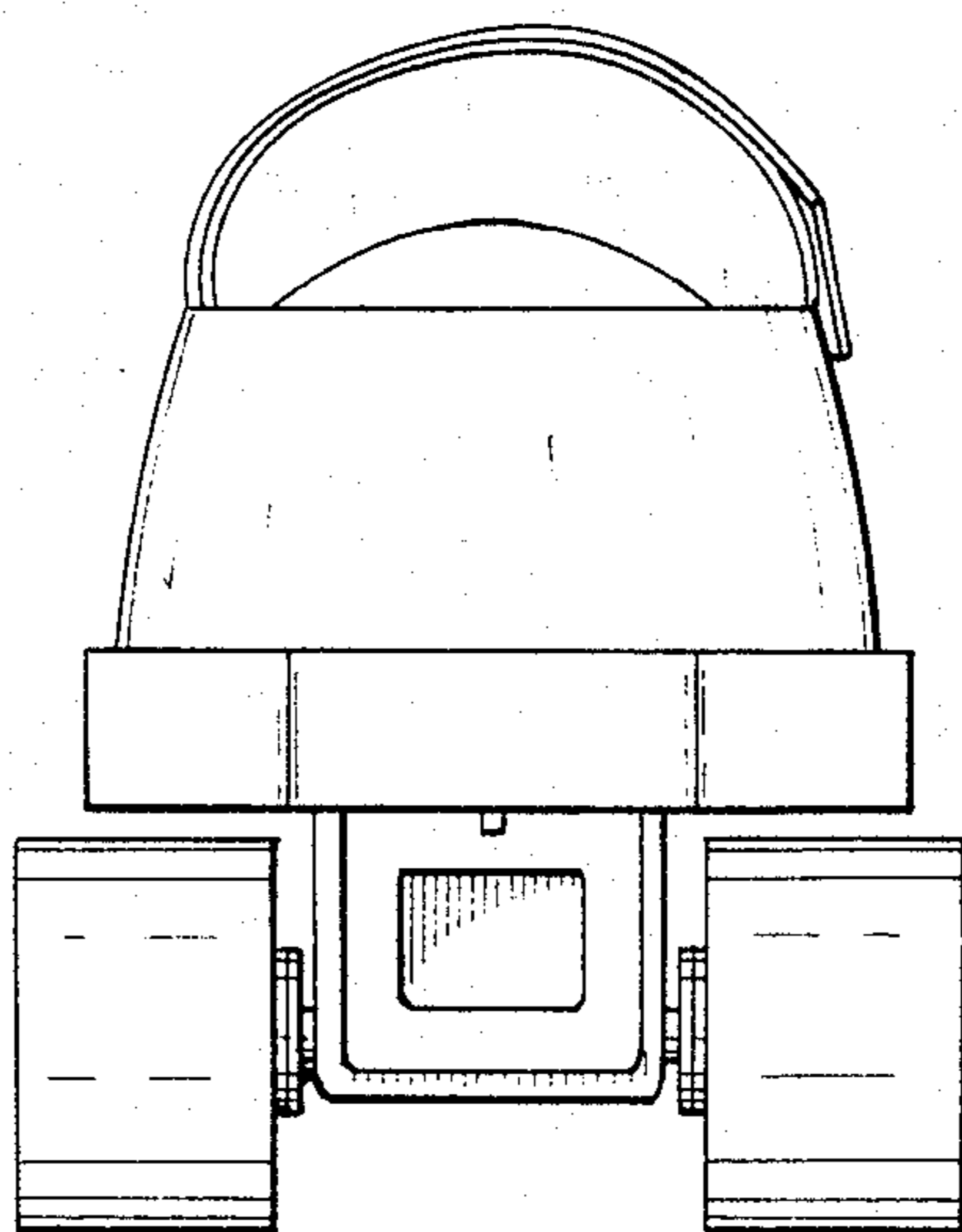


FIG. 3

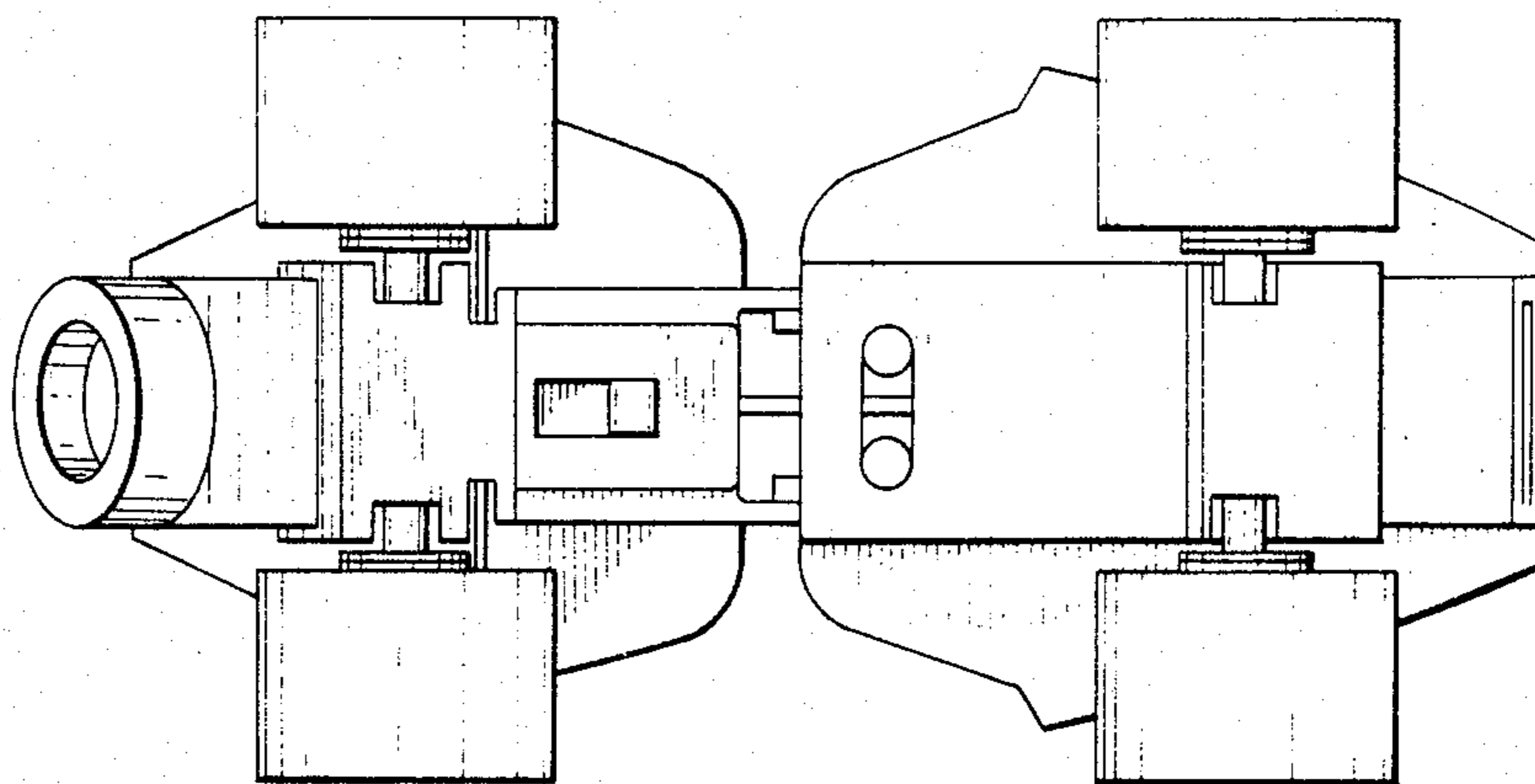


FIG. 4