

[54] TOY CONSTRUCTION PIECE

[75] Inventor: Tokuo Takahashi, Tokyo, Japan

[73] Assignee: Kawada Co., Ltd., Tokyo, Japan

[**] Term: 14 Years

[21] Appl. No.: 532,850

[22] Filed: Sep. 16, 1983

[30] Foreign Application Priority Data

Jun. 15, 1983 [JP] Japan 58-25478

[52] U.S. Cl. D21/108

[58] Field of Search D21/71, 73, 74, 76, D21/78, 81, 128, 130, 134, 135, 136, 137, 140, 108; 446/71, 72, 88, 93, 94, 95, 465, 469, 470, 471

[56] References Cited

U.S. PATENT DOCUMENTS

D. 202,907	11/1965	Glass et al.	D21/78
D. 266,572	10/1982	Chalandard	D21/128
3,005,282	10/1961	Christiansen	446/128
4,375,139	3/1983	Chatani	446/471

Primary Examiner—Charles A. Rademaker
Attorney, Agent, or Firm—Don B. Finkelstein

[57] CLAIM

The ornamental design for a toy construction piece, substantially as shown and described.

DESCRIPTION

FIG. 1 is a perspective view of a toy construction piece showing my new design;

FIG. 2 is a left side elevational view thereof;

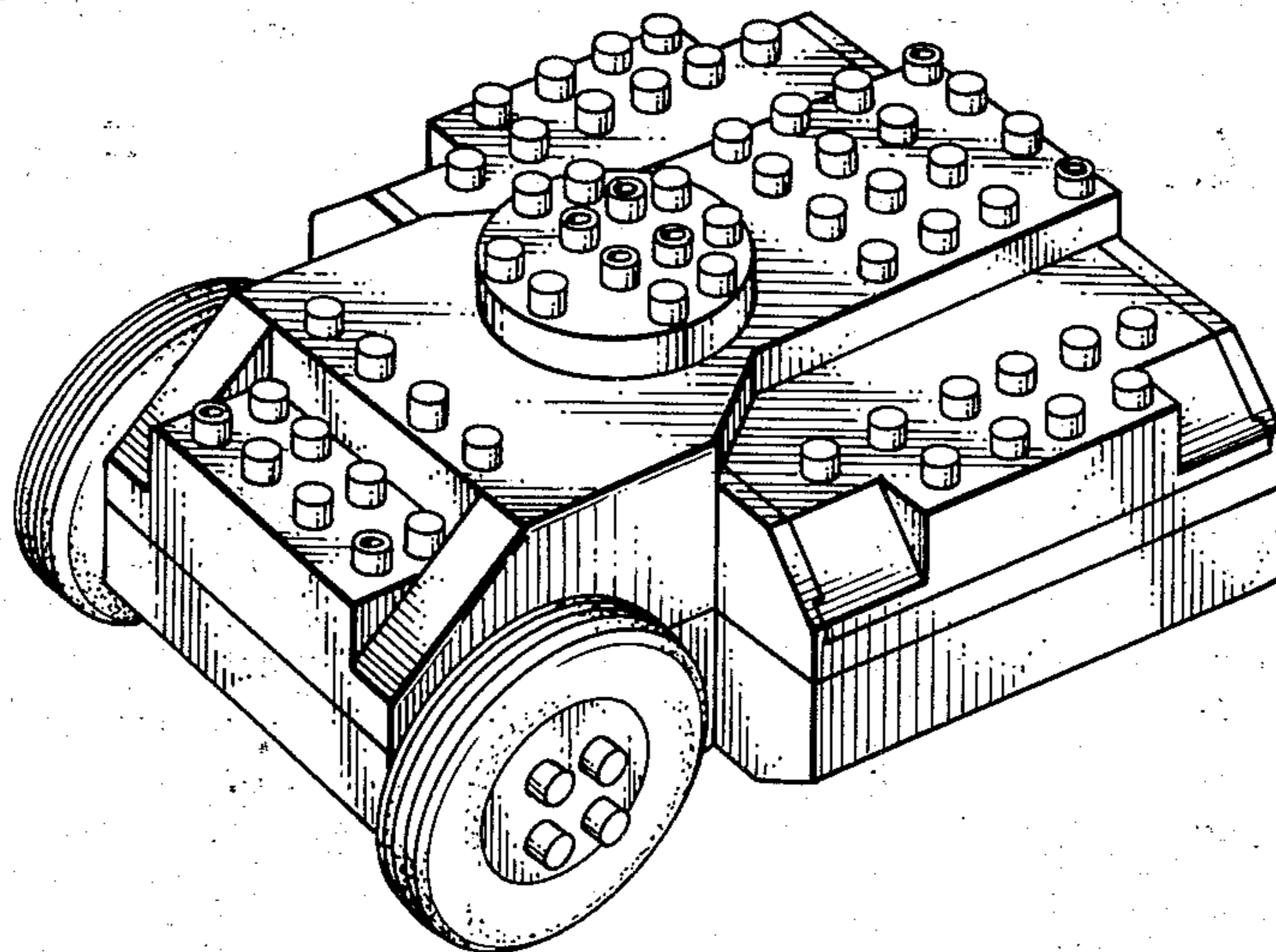
FIG. 3 is a right side elevational view thereof;

FIG. 4 is a front elevational view thereof;

FIG. 5 is a rear elevational view thereof;

FIG. 6 is a top plan view thereof; and

FIG. 7 is a bottom plan view thereof.



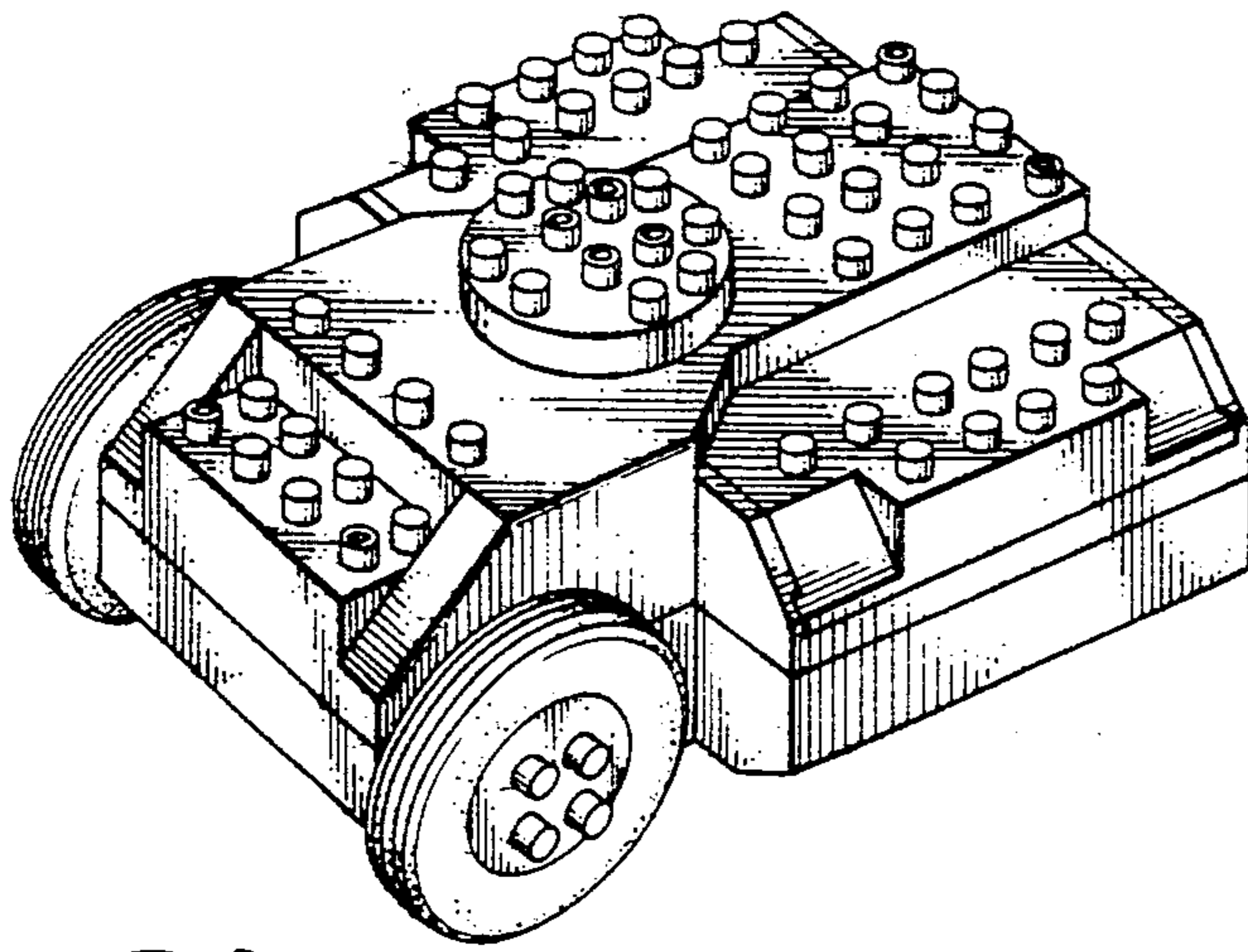


FIG. 1

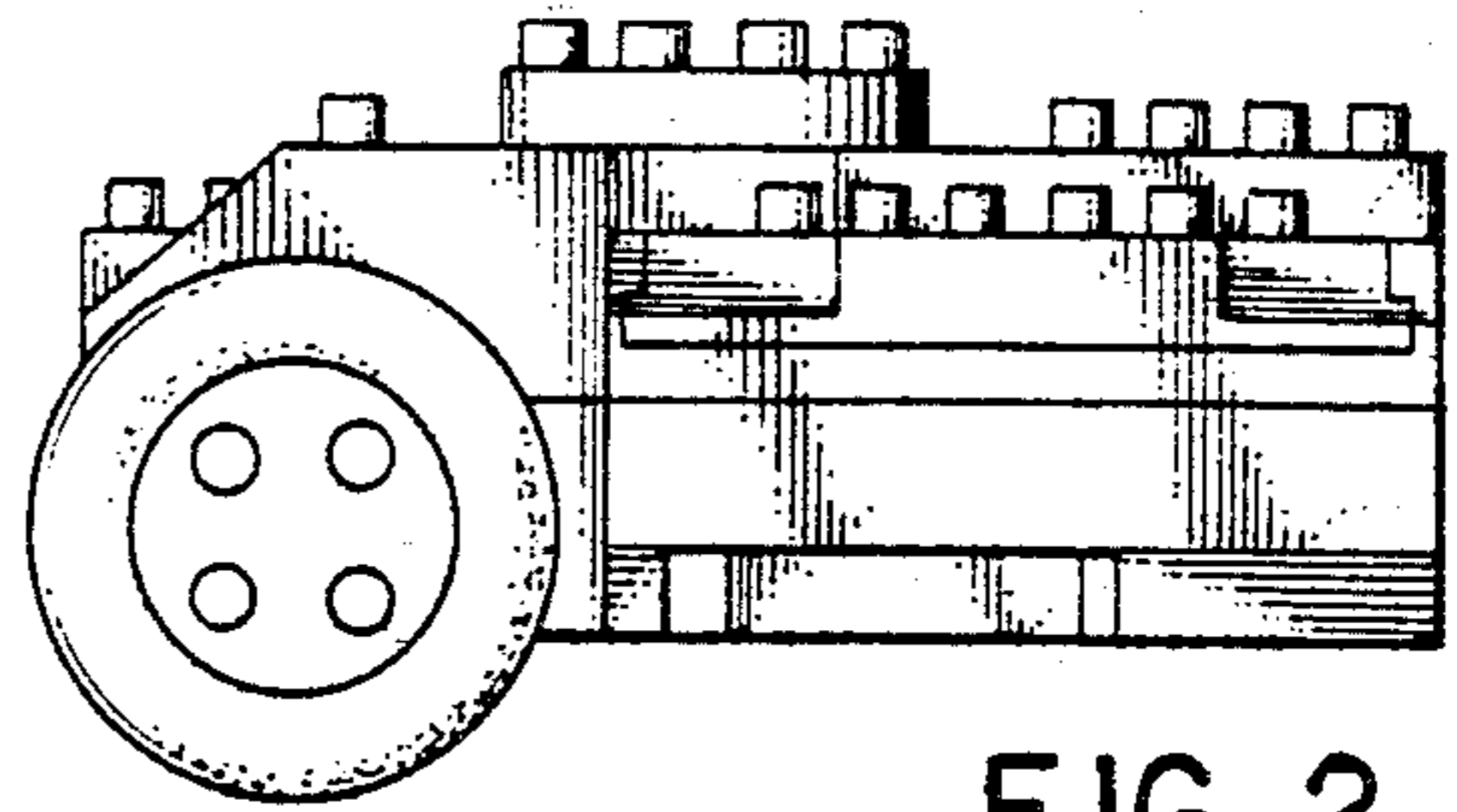


FIG. 2

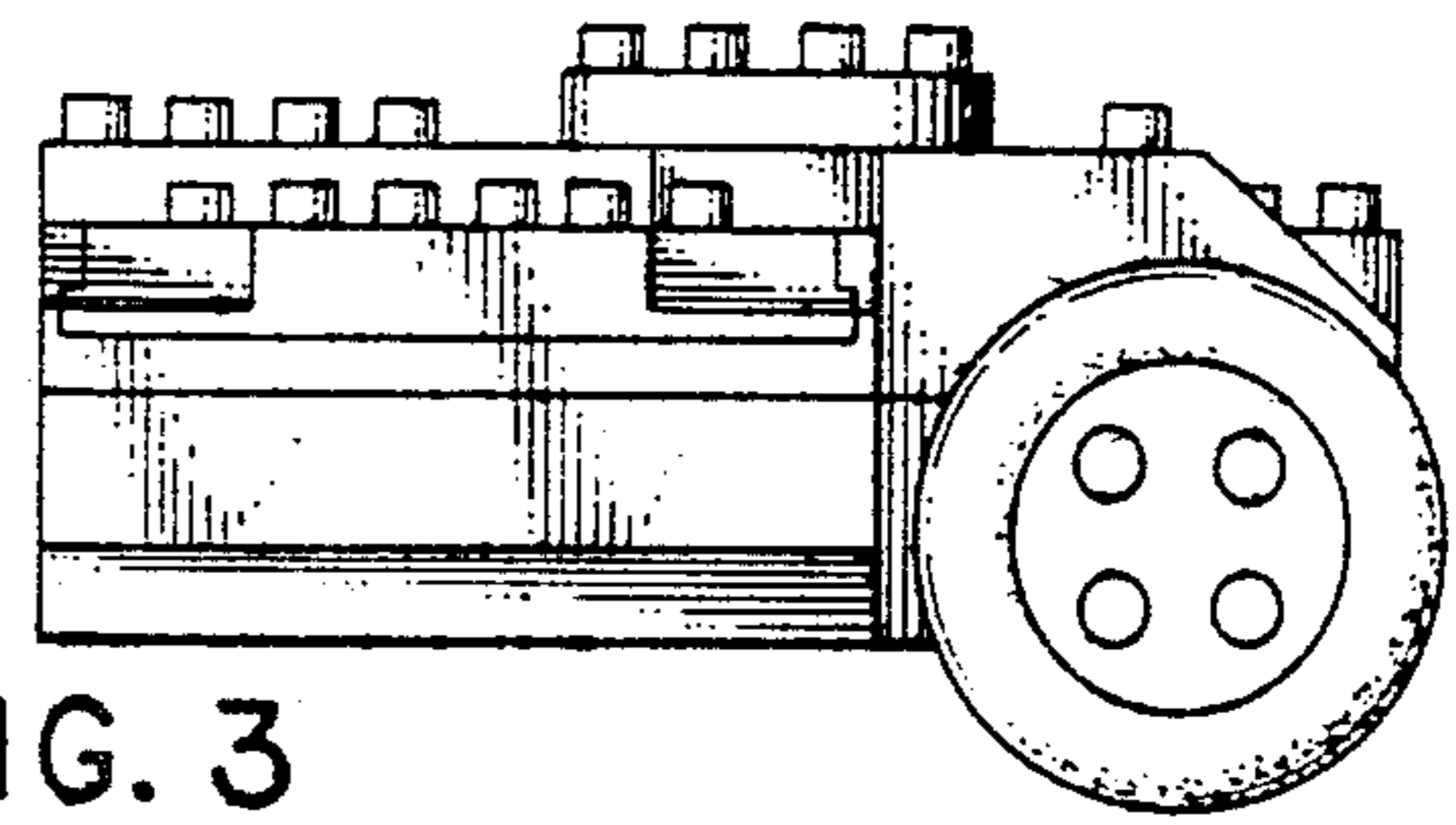


FIG. 3

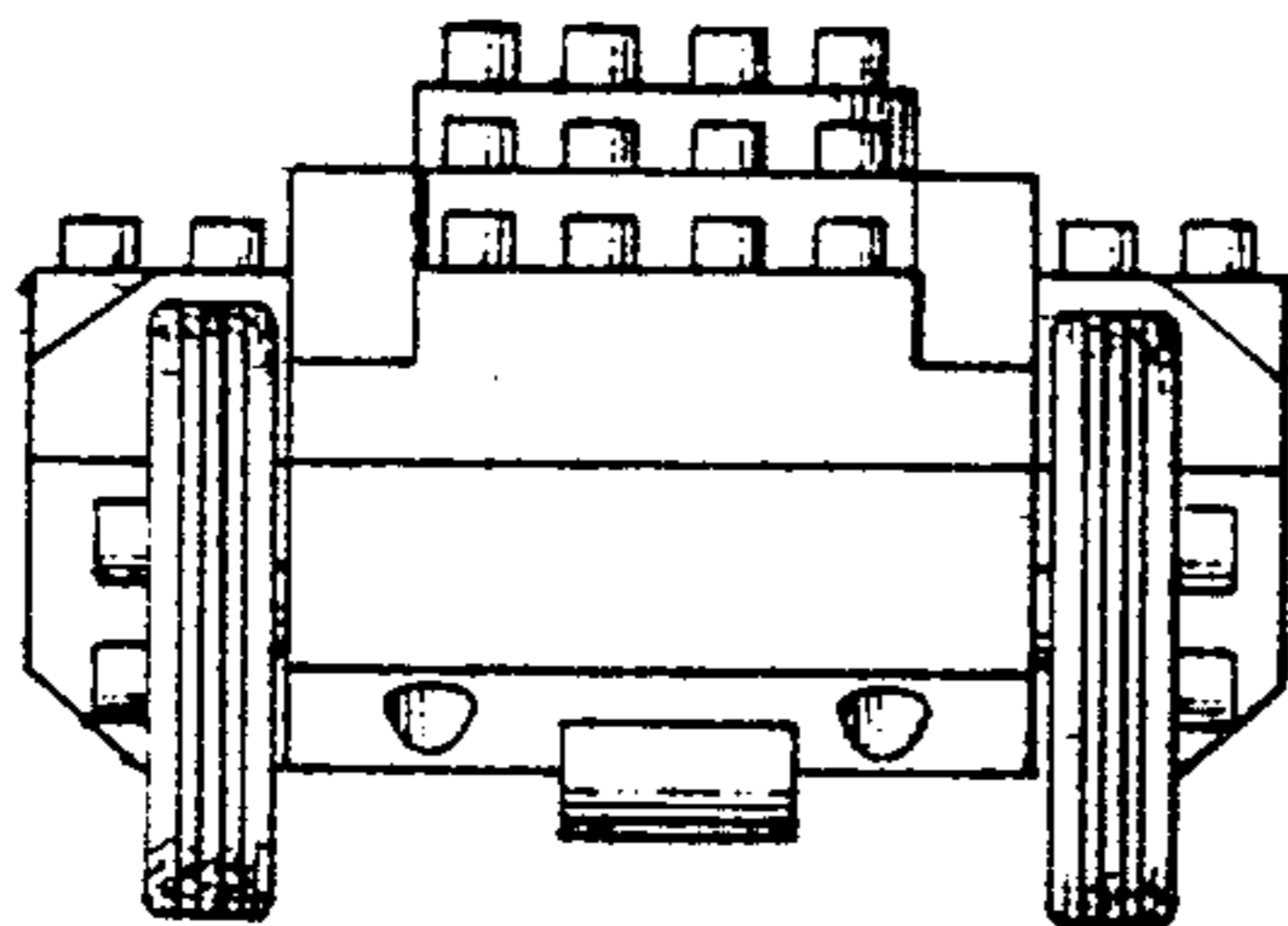


FIG. 4

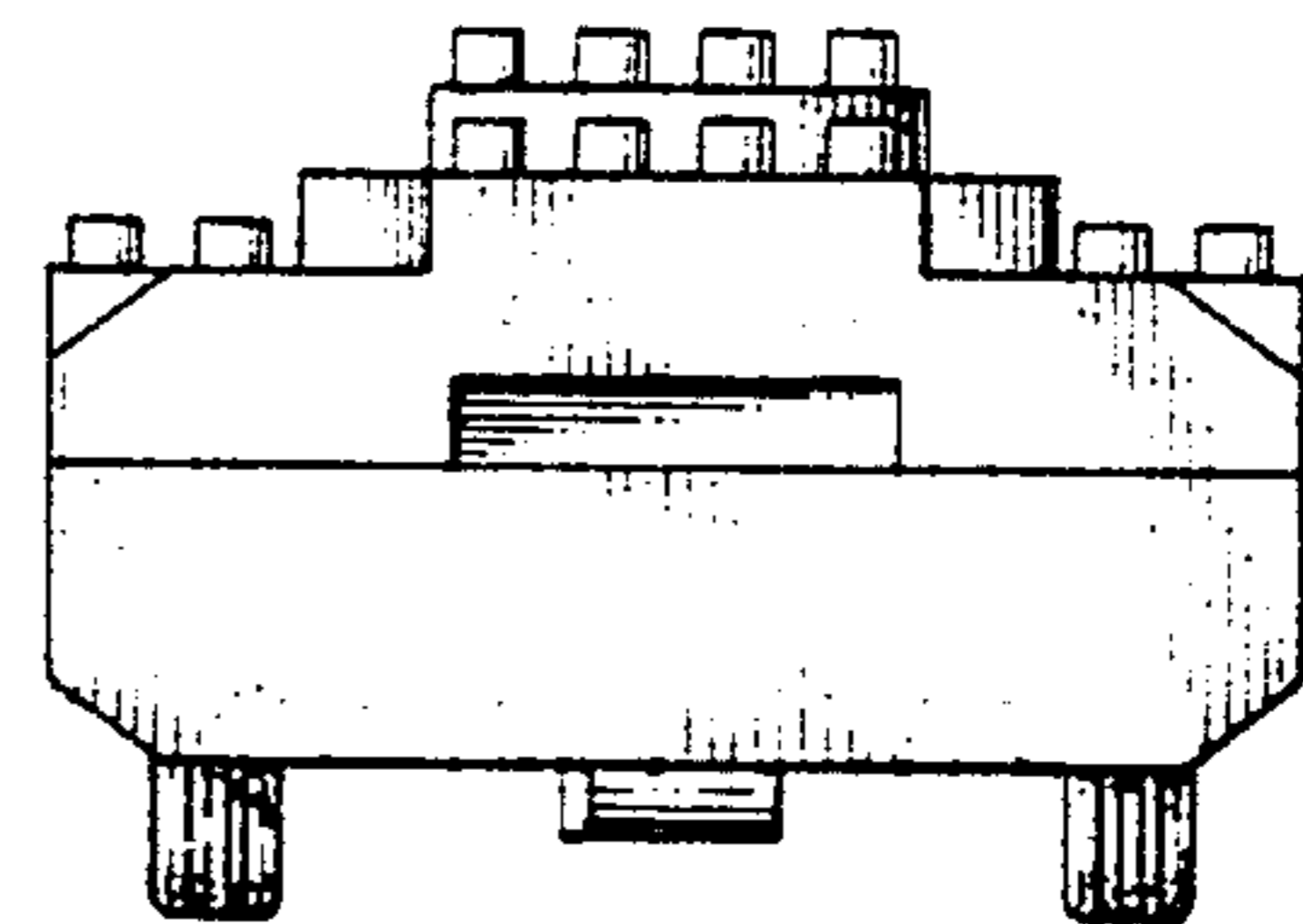


FIG. 5

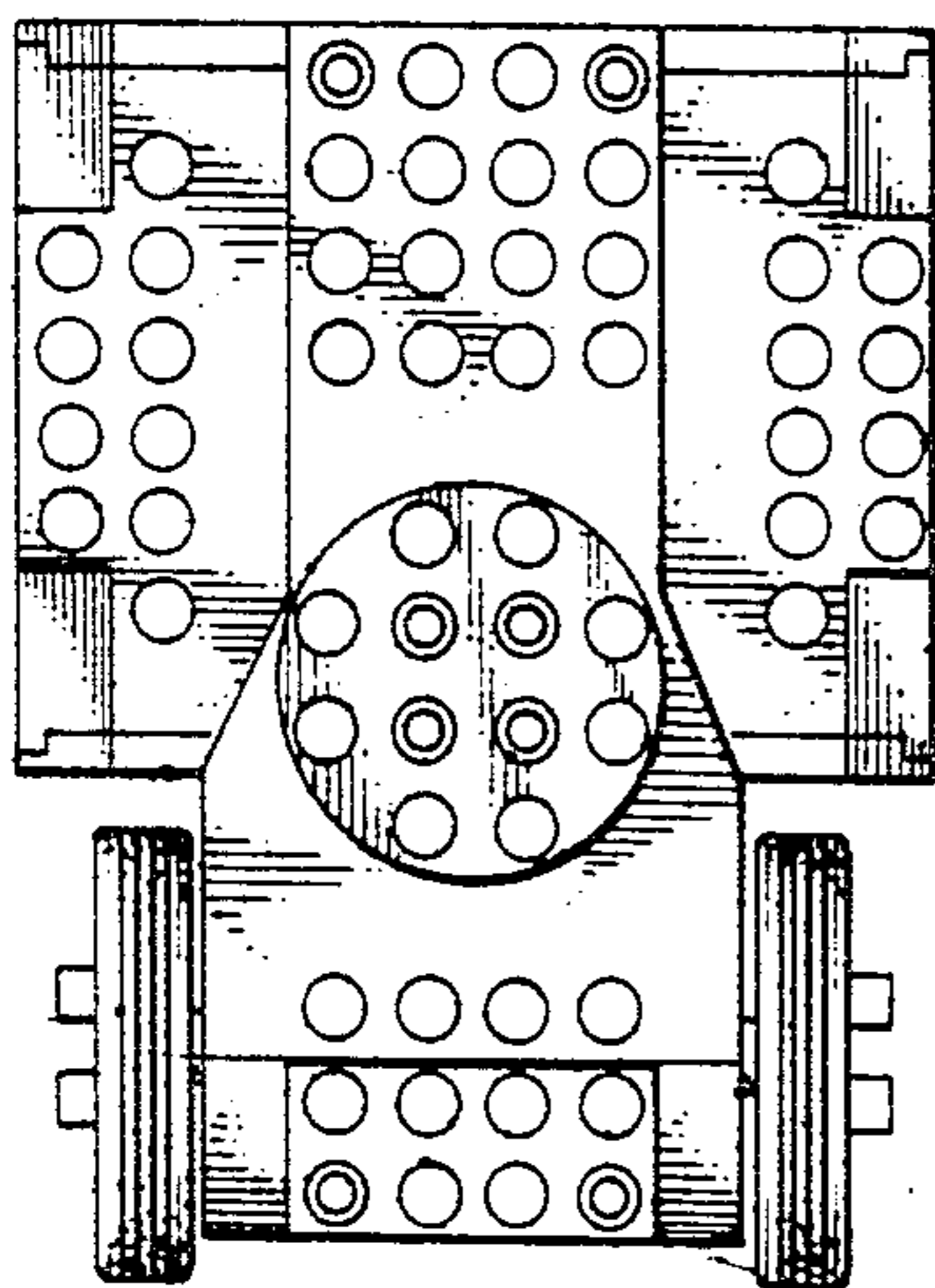


FIG. 6

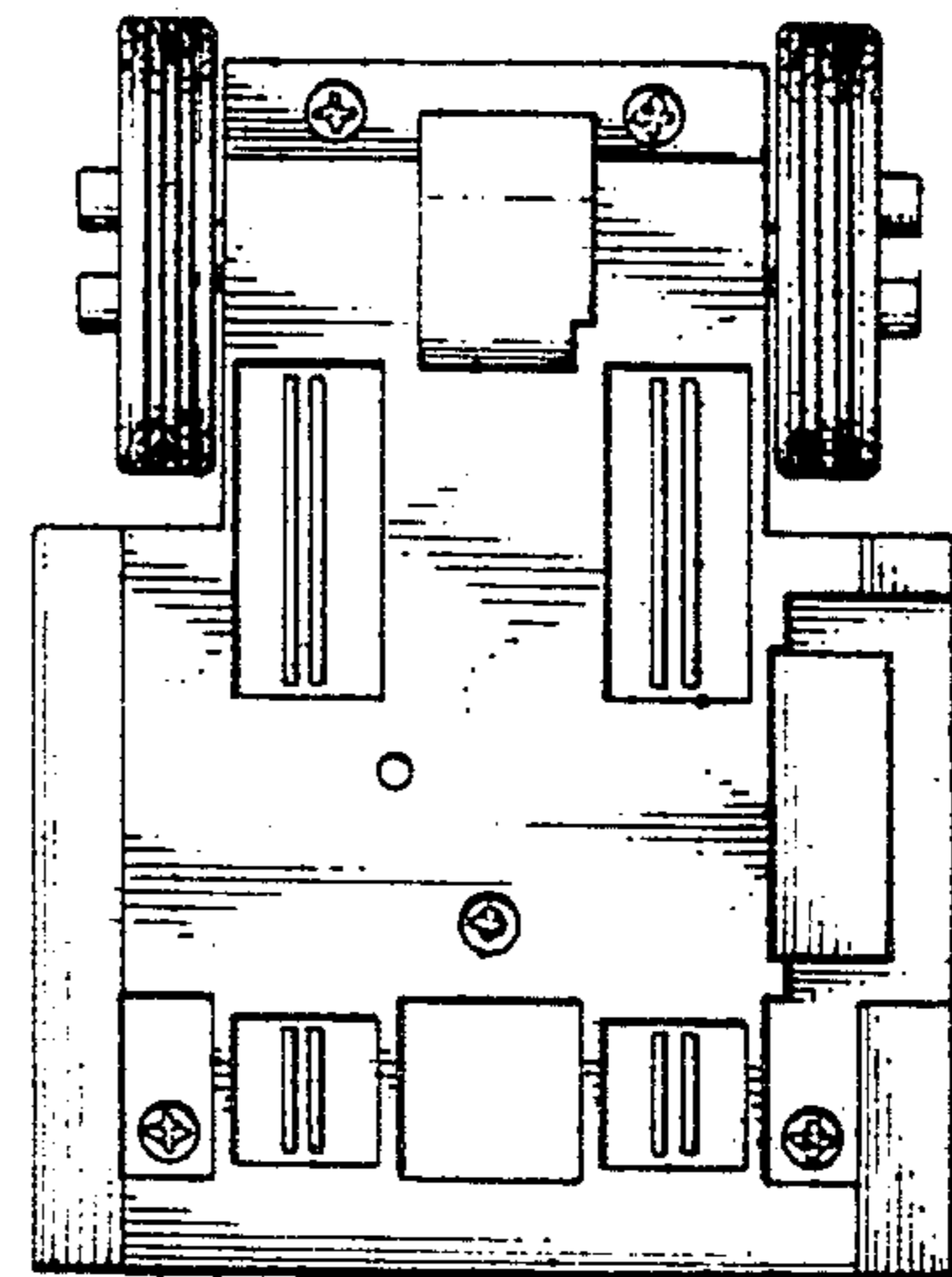


FIG. 7