

[54] RIDING TOY

[75] Inventor: Kenzou Kassai, Osaka, Japan

[73] Assignee: Kassai Kabushiki Kaisha, Osaka, Japan

[**] Term: 14 Years

[21] Appl. No.: 544,376

[22] Filed: Oct. 21, 1983

[30] Foreign Application Priority Data

Apr. 28, 1983 [JP] Japan 58-18131

[52] U.S. Cl. D21/78

[58] Field of Search D21/76, 78, 79, 80, D21/81, 128, 131, 132, 133, 134, 135, 136, 137, 139, 140; 446/433, 440, 451, 465, 466; 280/87.01, 87.02 R, 87.1, 87.2

[56] References Cited

U.S. PATENT DOCUMENTS

D. 250,851 1/1979 Nakao et al. D21/78

D. 253,710 12/1979 Nakao et al. D21/78
D. 265,219 6/1982 Kassai D21/78
D. 267,258 12/1982 Nakao et al. D21/78
4,346,908 8/1982 Kassai 280/87.02 R
4,424,978 1/1984 Kassai D21/78

Primary Examiner—Charles A. Rademaker
Attorney, Agent, or Firm—Birch, Stewart, Kolasch & Birch

[57] CLAIM

The ornamental design for a riding toy, as shown and described.

DESCRIPTION

FIG. 1 is a side elevational view of a riding toy showing my new design;
FIG. 2 is a front elevational view thereof;
FIG. 3 is a top plan view thereof;
FIG. 4 is a bottom plan view thereof;
FIG. 5 is a front perspective view thereof; and
FIG. 6 is another front perspective view thereof showing the hood member in an opened condition.

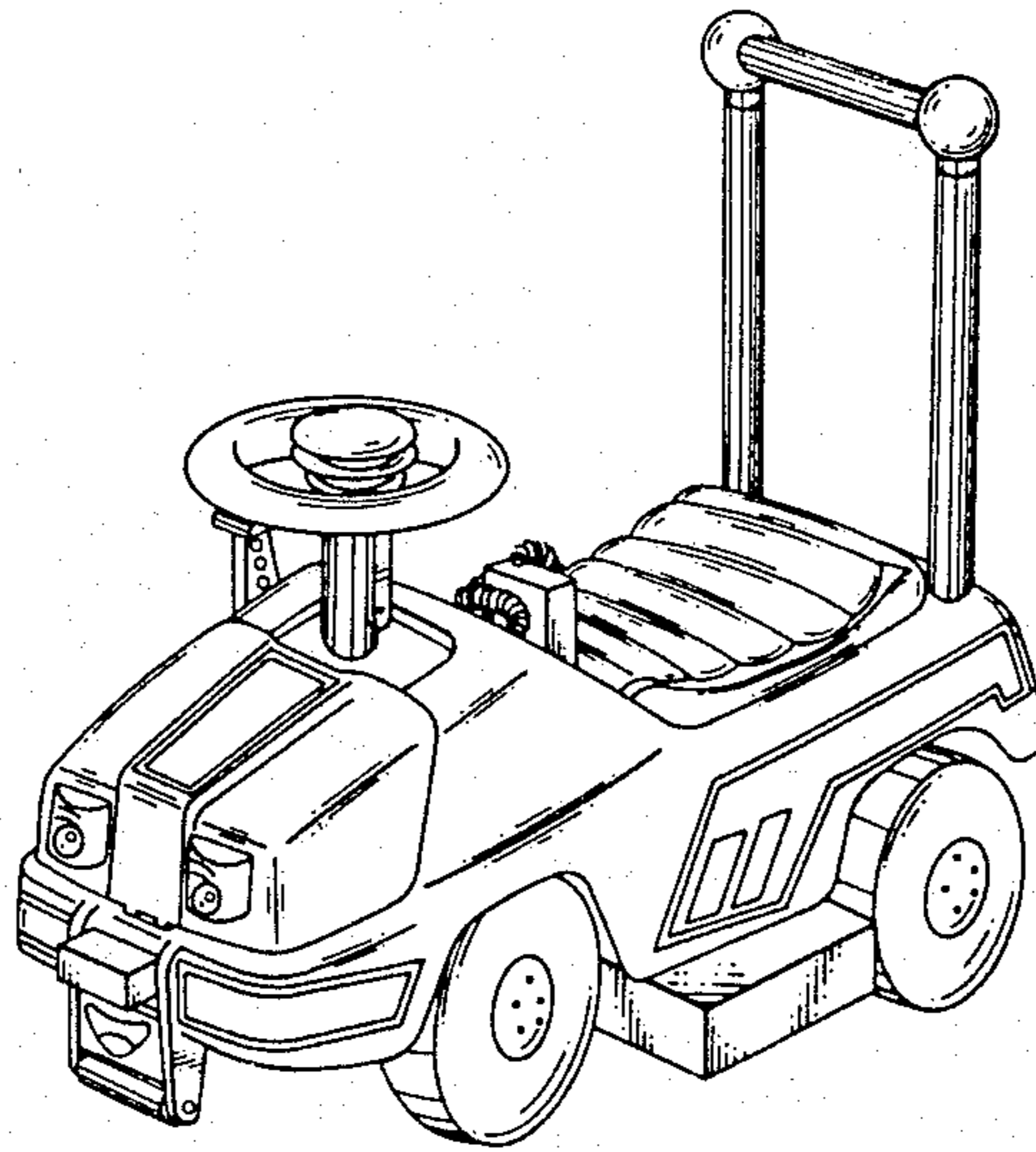


FIG .1

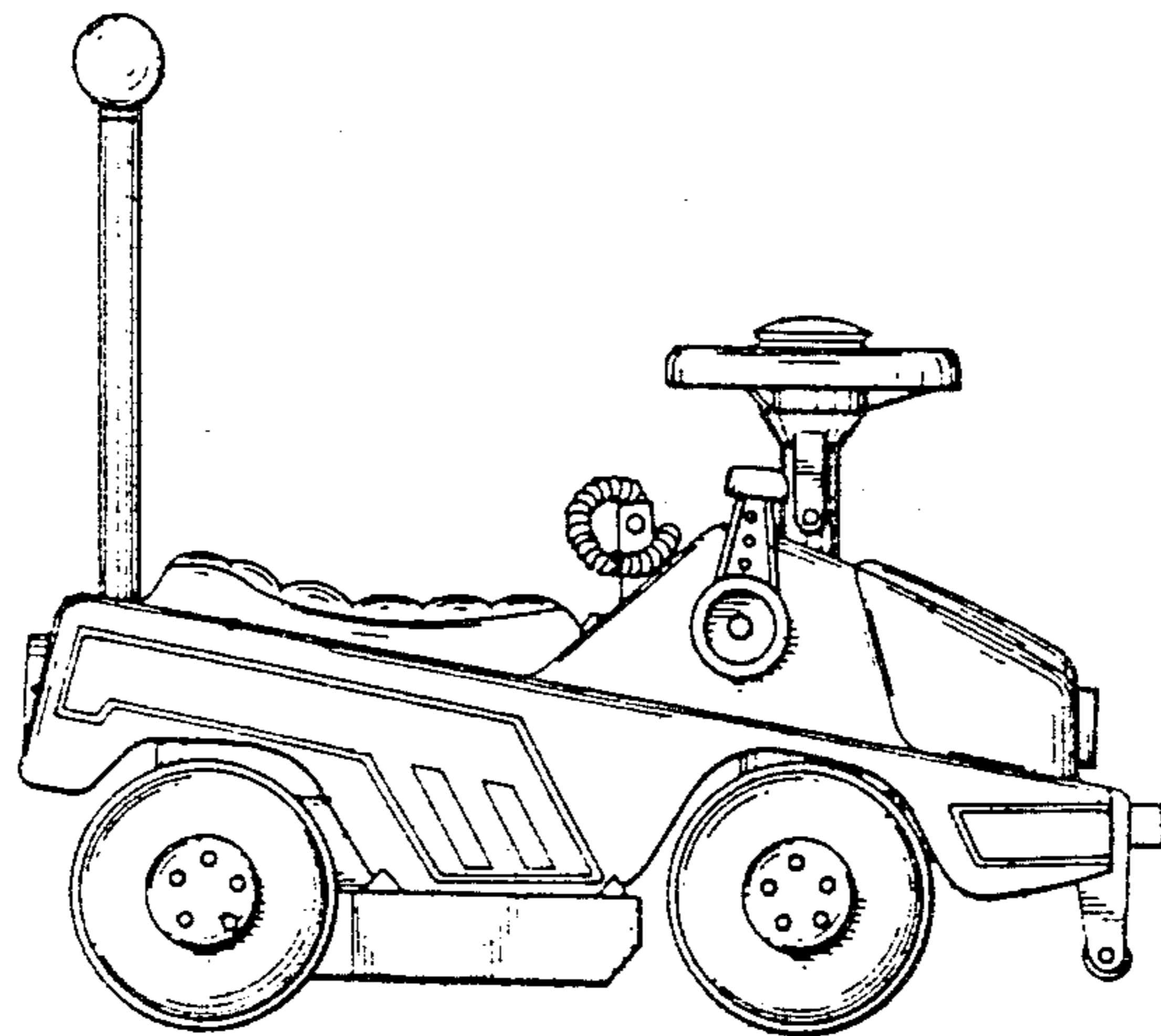


FIG .2

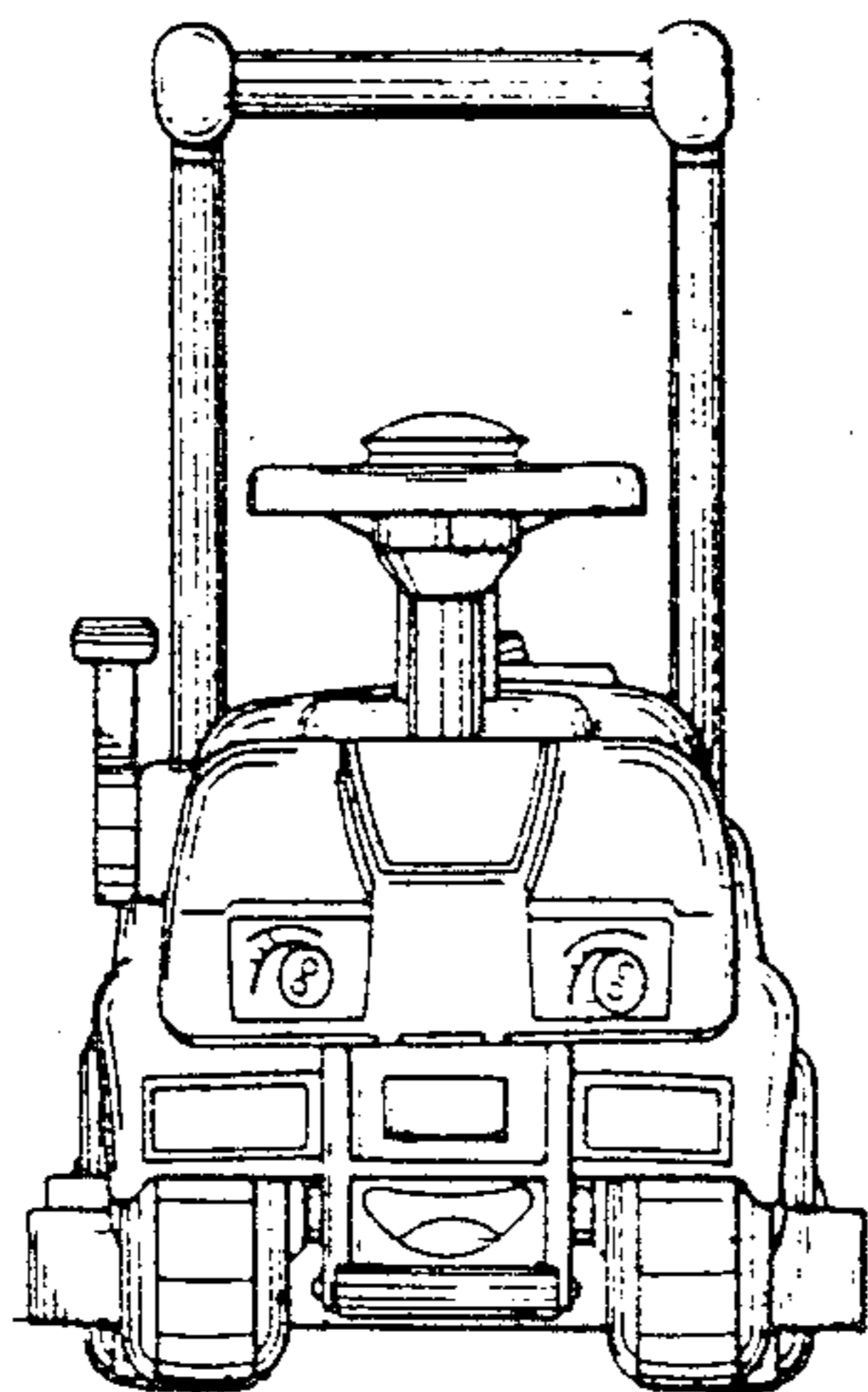


FIG .3

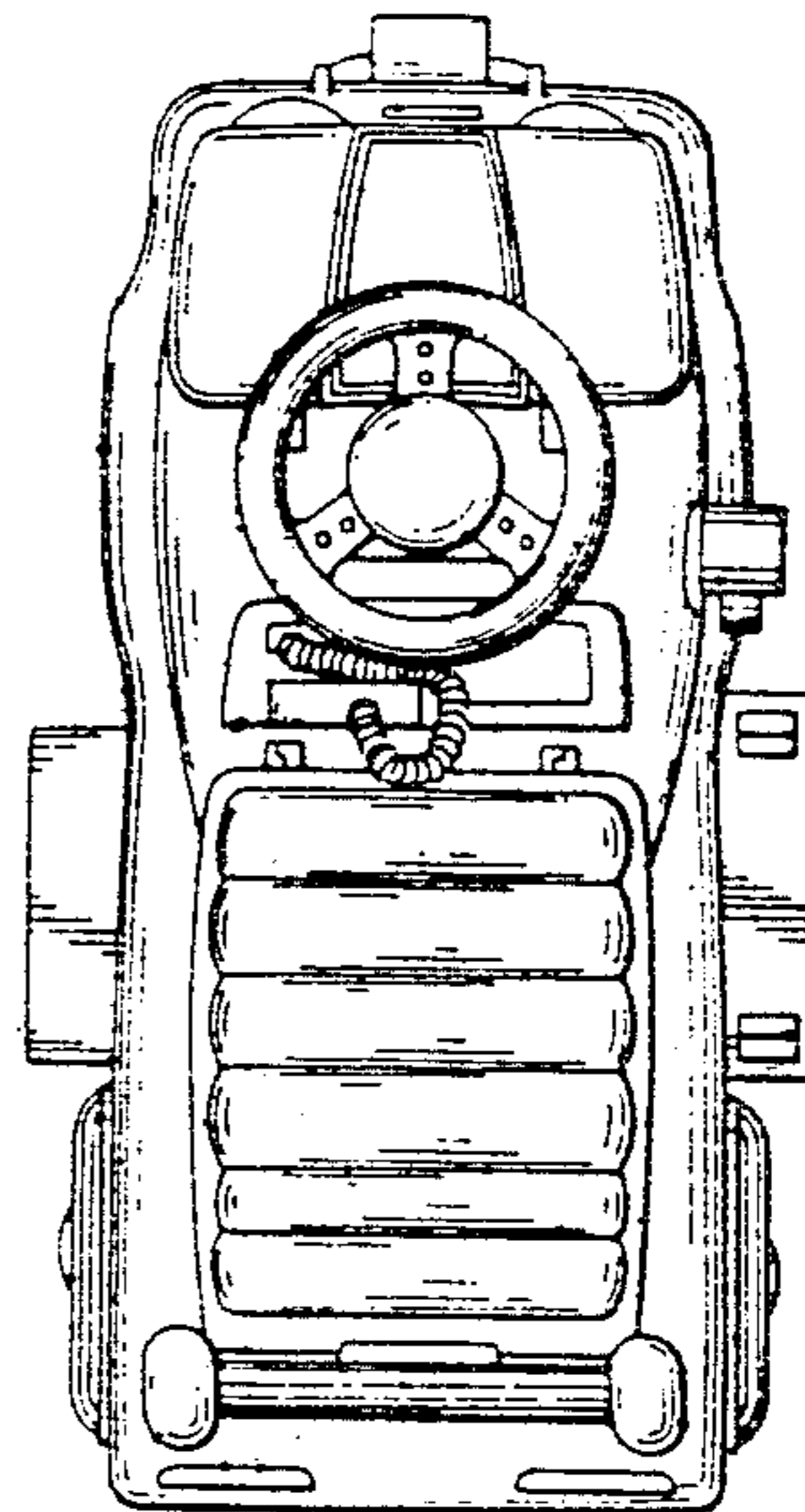


FIG .4

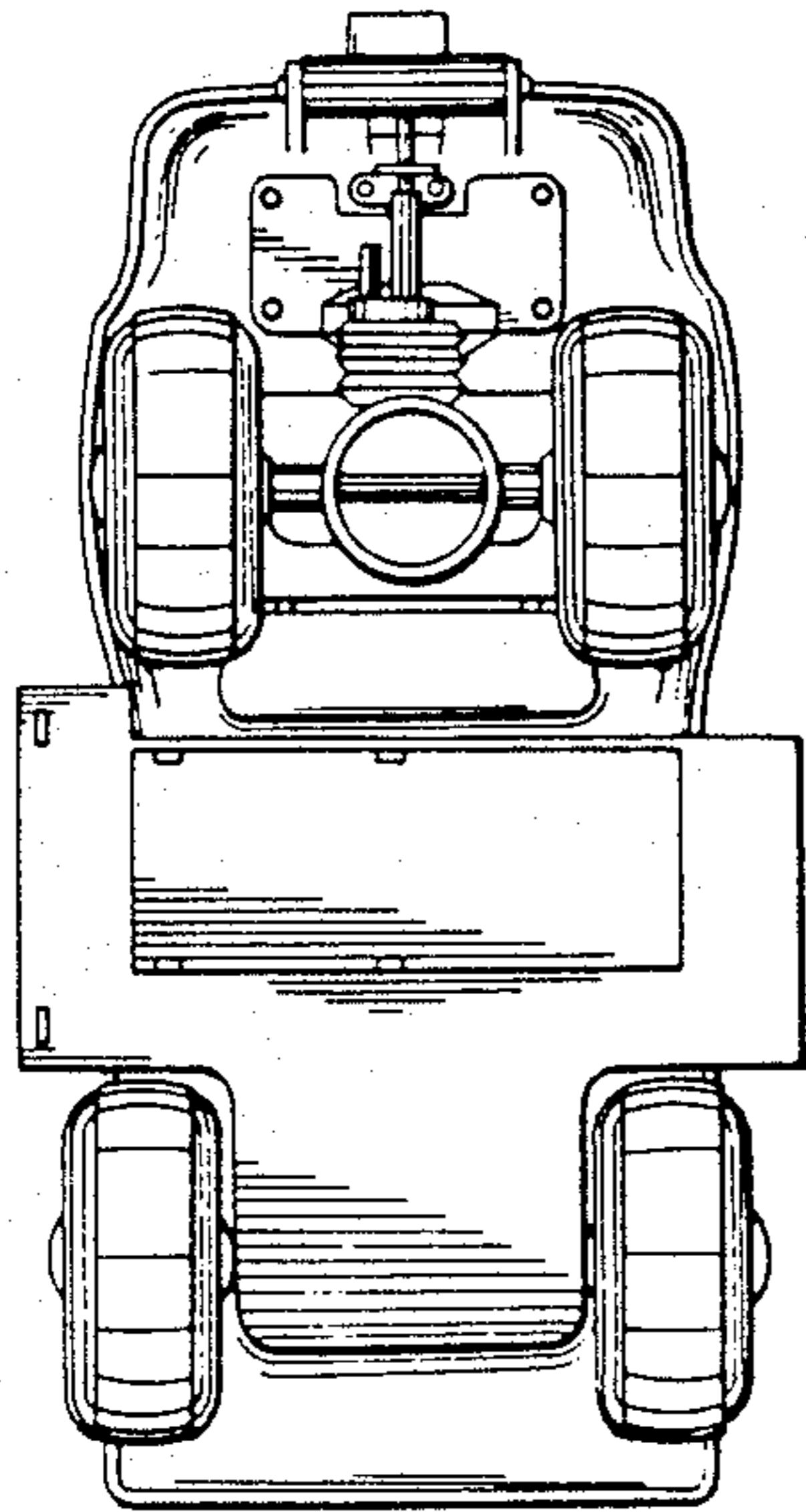


FIG .5

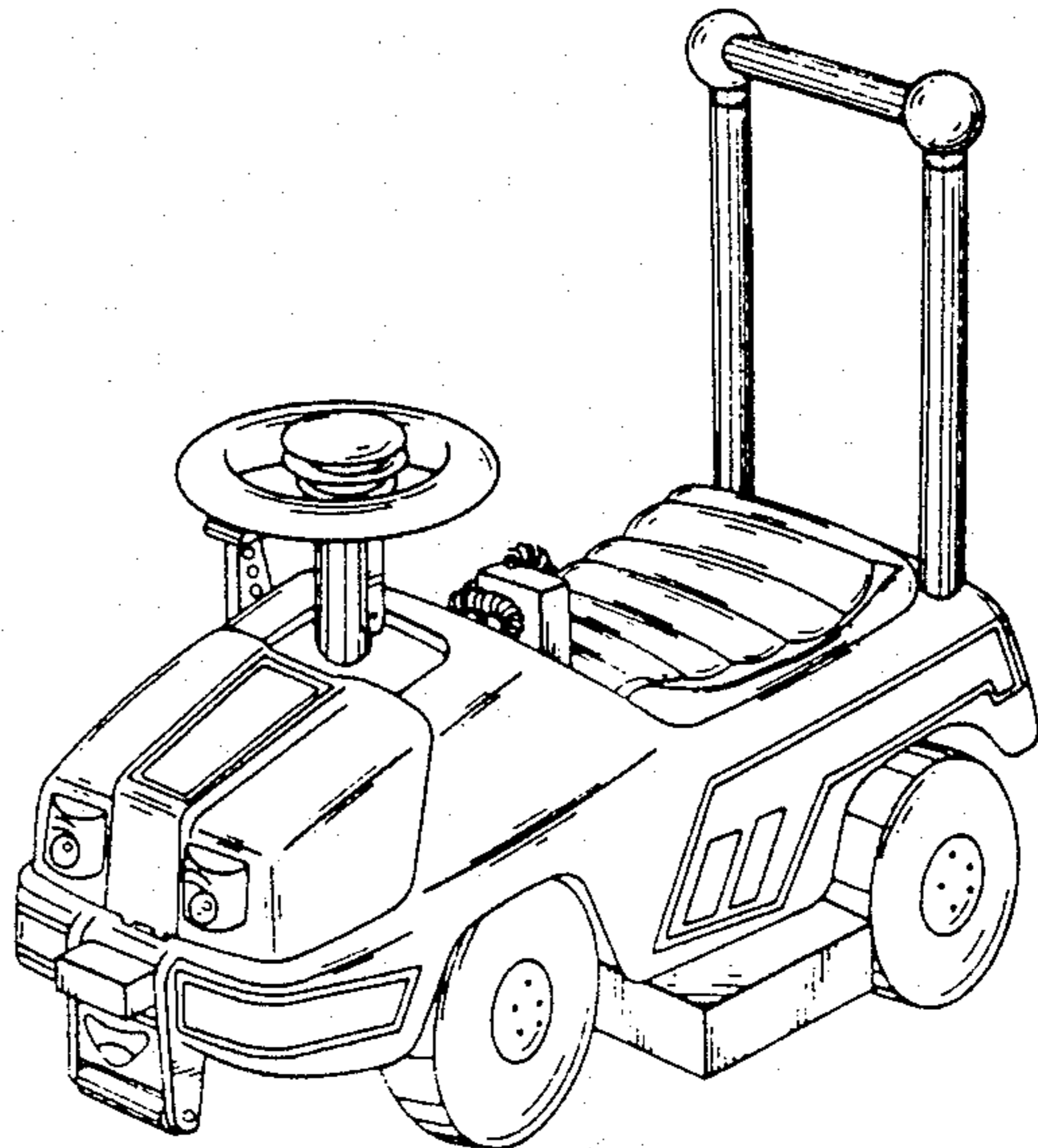


FIG .6

