

[54] ILLUMINABLE NOTE PAPER TRAY

1,145,848 7/1915 Robins 362/99
2,806,715 9/1957 Smith 362/99
3,697,737 10/1972 Levkoff 362/99

[76] Inventor: Mike Kier, 9134 Dillon, La Mesa, Calif. 92041

Primary Examiner—George P. Word
Attorney, Agent, or Firm—Ralph S. Branscomb

[**] Term: 14 Years

[21] Appl. No.: 513,462

[57] CLAIM

[22] Filed: Jul. 13, 1983

The ornamental design for an illuminable note paper tray, as shown and described.

[52] U.S. Cl. D19/92; D19/78; D19/83

DESCRIPTION

[58] Field of Search D19/75, 77-79, D19/81, 83, 86-88, 92; 362/98, 99

FIG. 1 is a perspective view of an illuminable note paper tray showing my new design; FIG. 2 is a front elevational view thereof; FIG. 3 is a rear elevational view thereof; FIG. 4 is a top plan view thereof, the writing instrument shown in broken lines being for illustrative purposes only; FIG. 5 is a bottom plan view thereof; and FIG. 6 is a right side elevational view thereof.

[56] References Cited

U.S. PATENT DOCUMENTS

- D. 102,468 12/1936 McCoy D19/78
- D. 200,370 2/1965 Sherman D19/92
- D. 209,548 12/1967 Wittenberg D19/92
- D. 226,241 1/1973 Zelenko D19/92
- D. 271,981 12/1983 Pearson D19/92

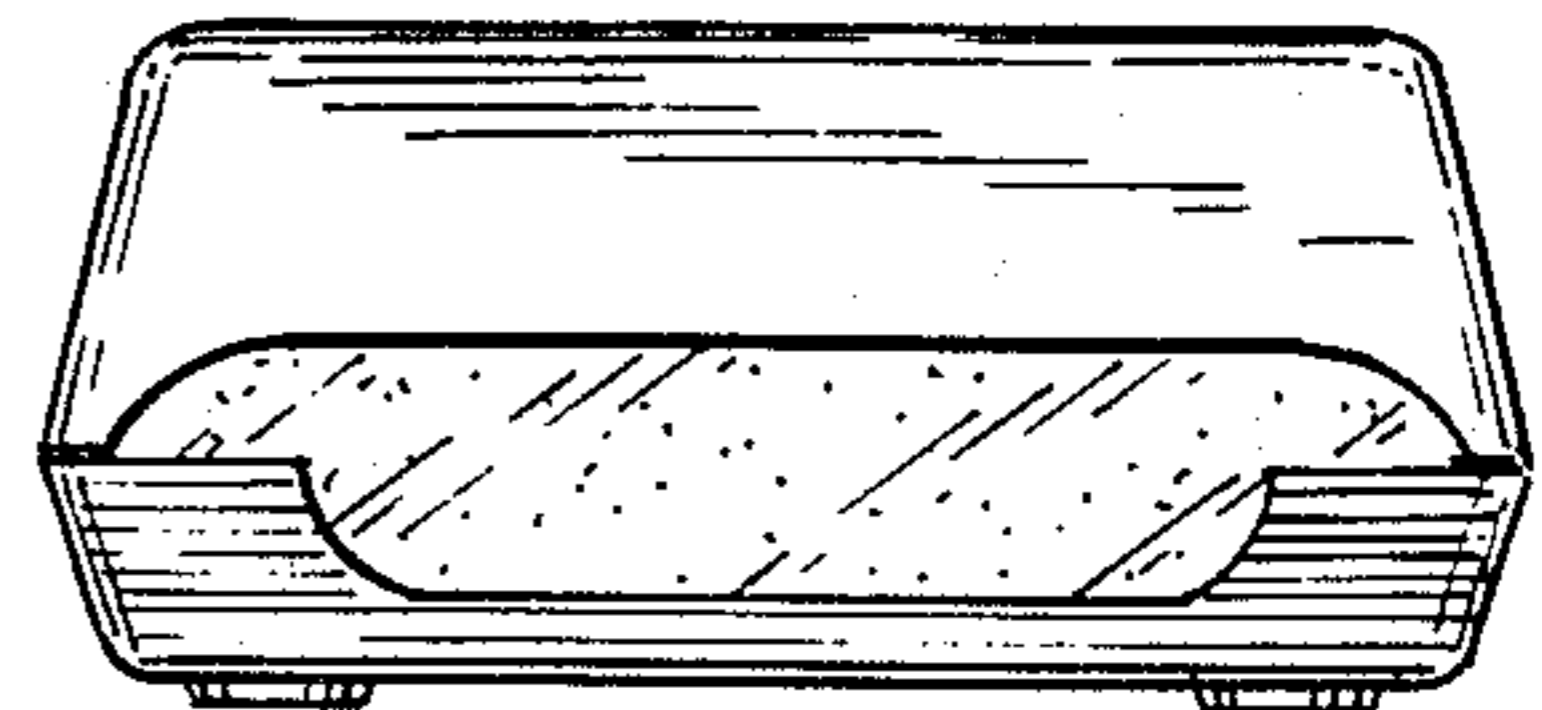
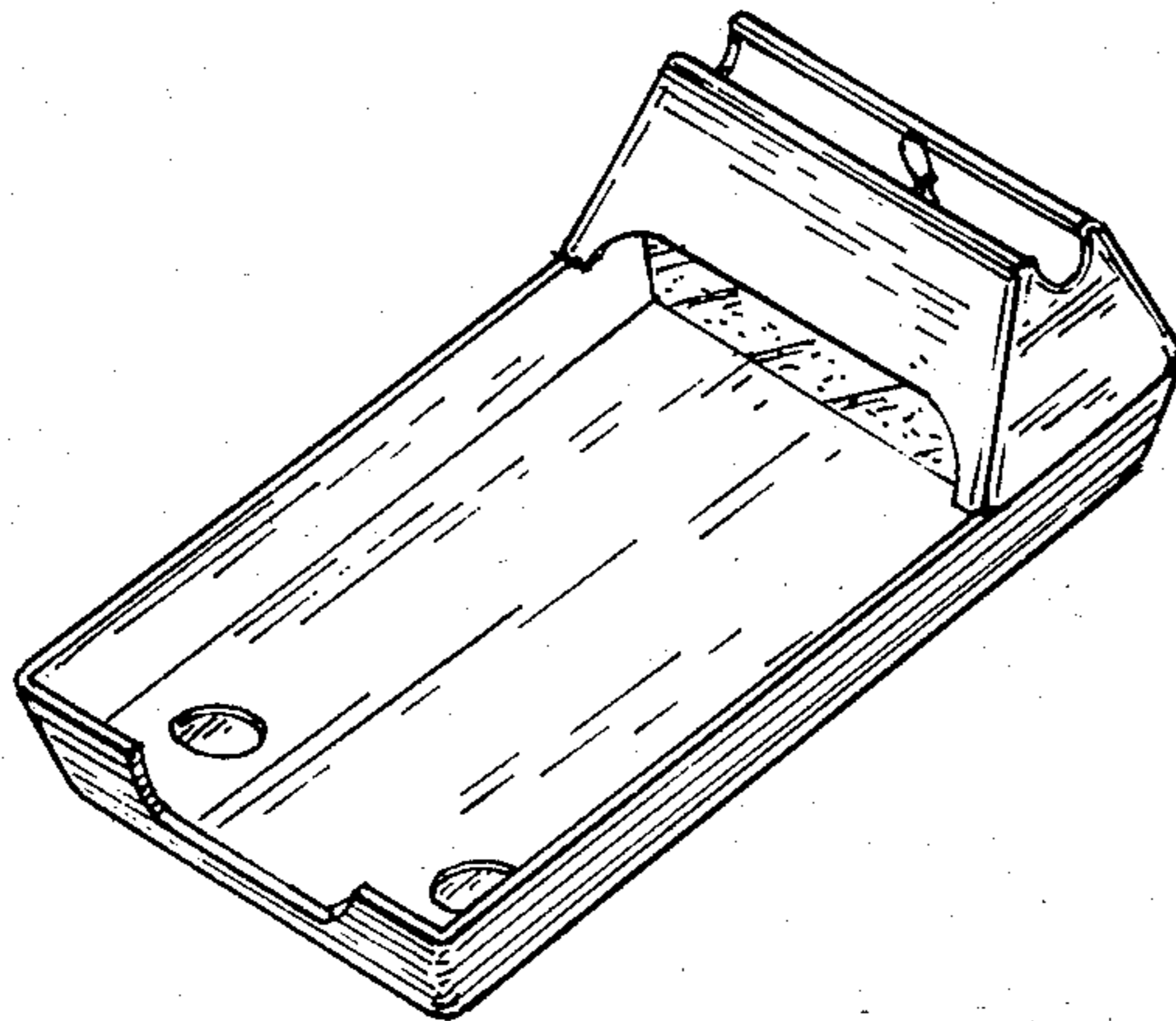


Fig. 1

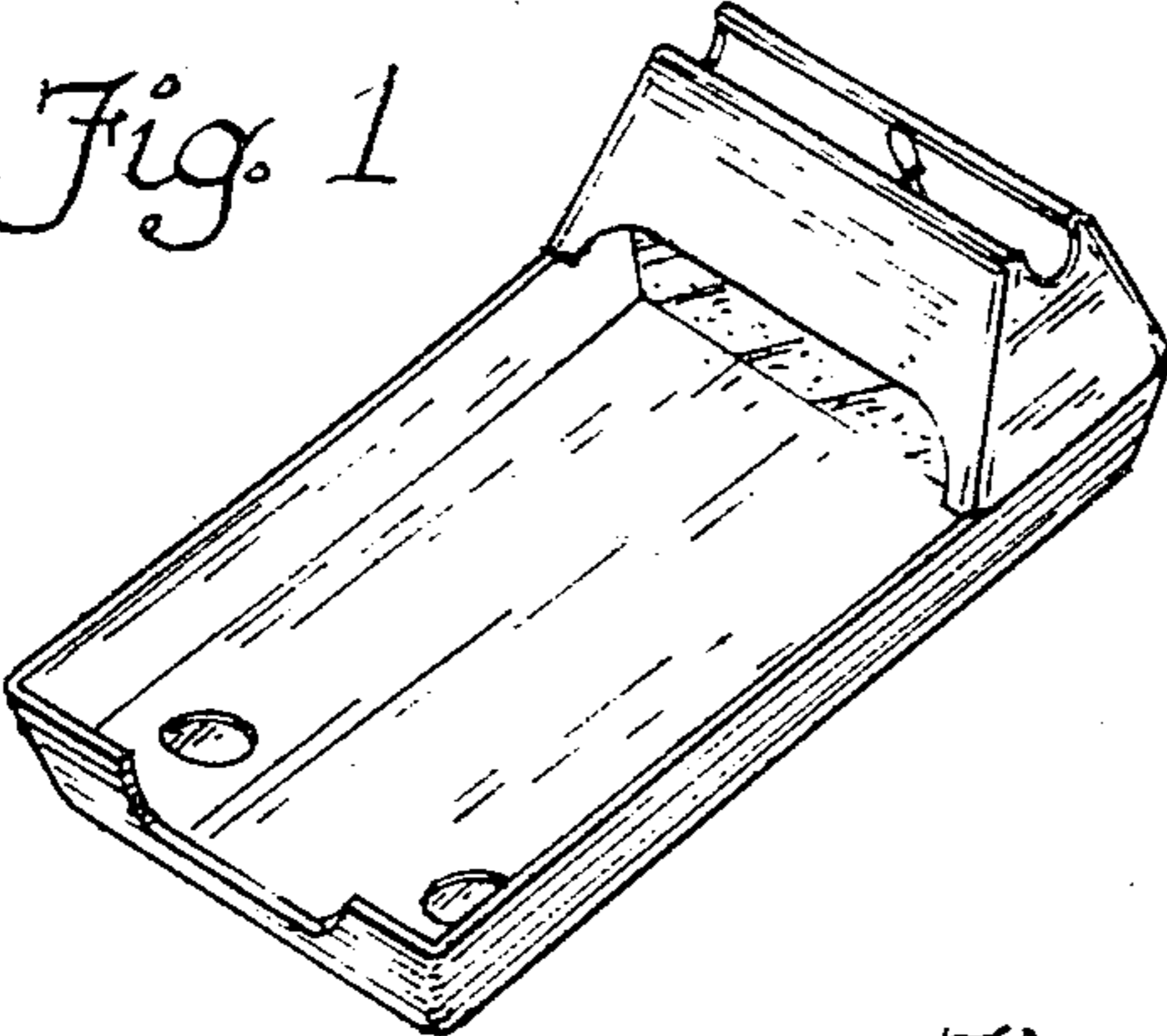


Fig. 2

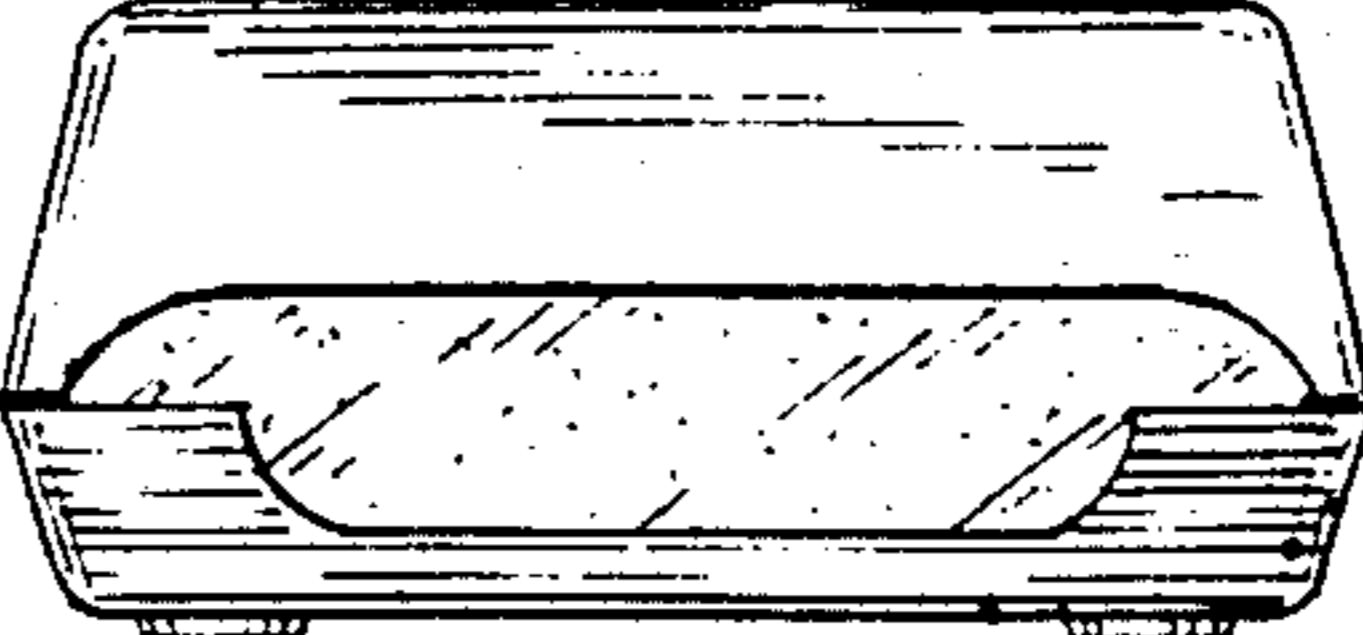


Fig. 3

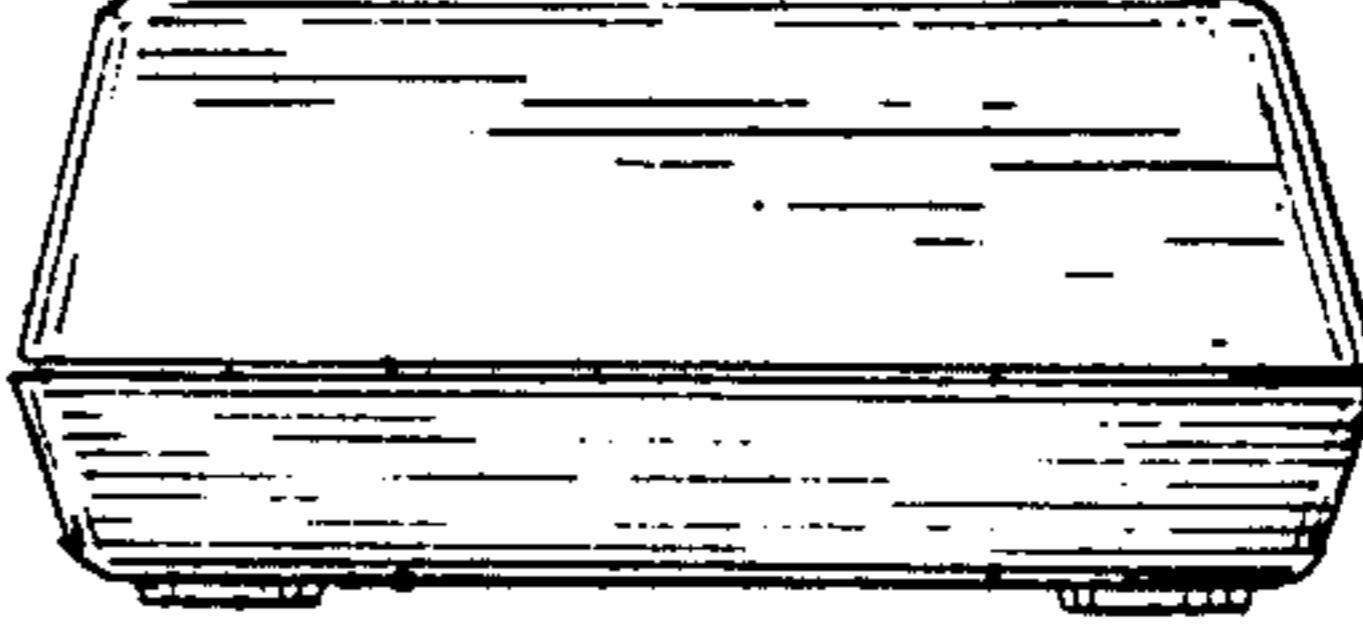


Fig. 4

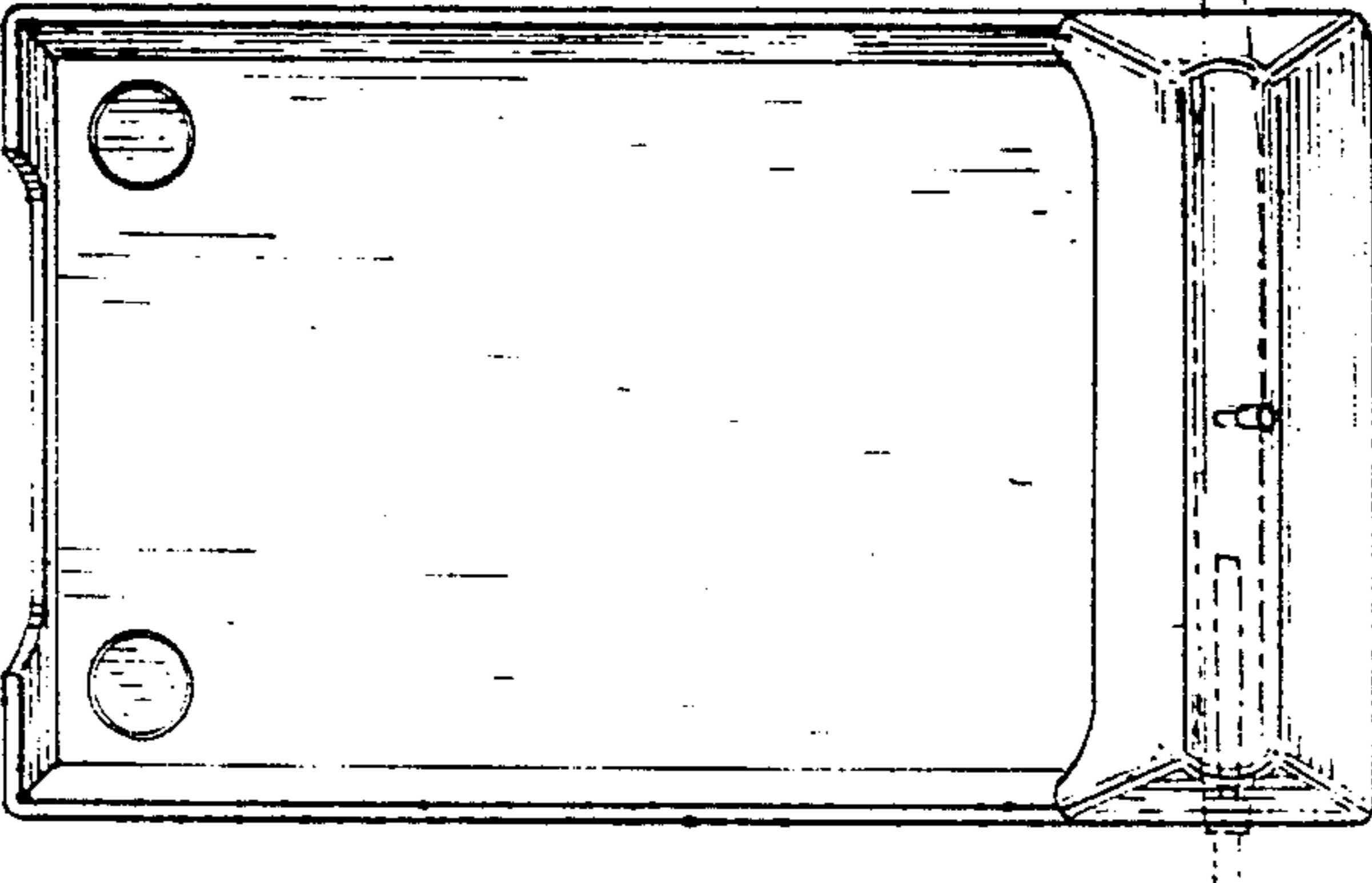


Fig. 5

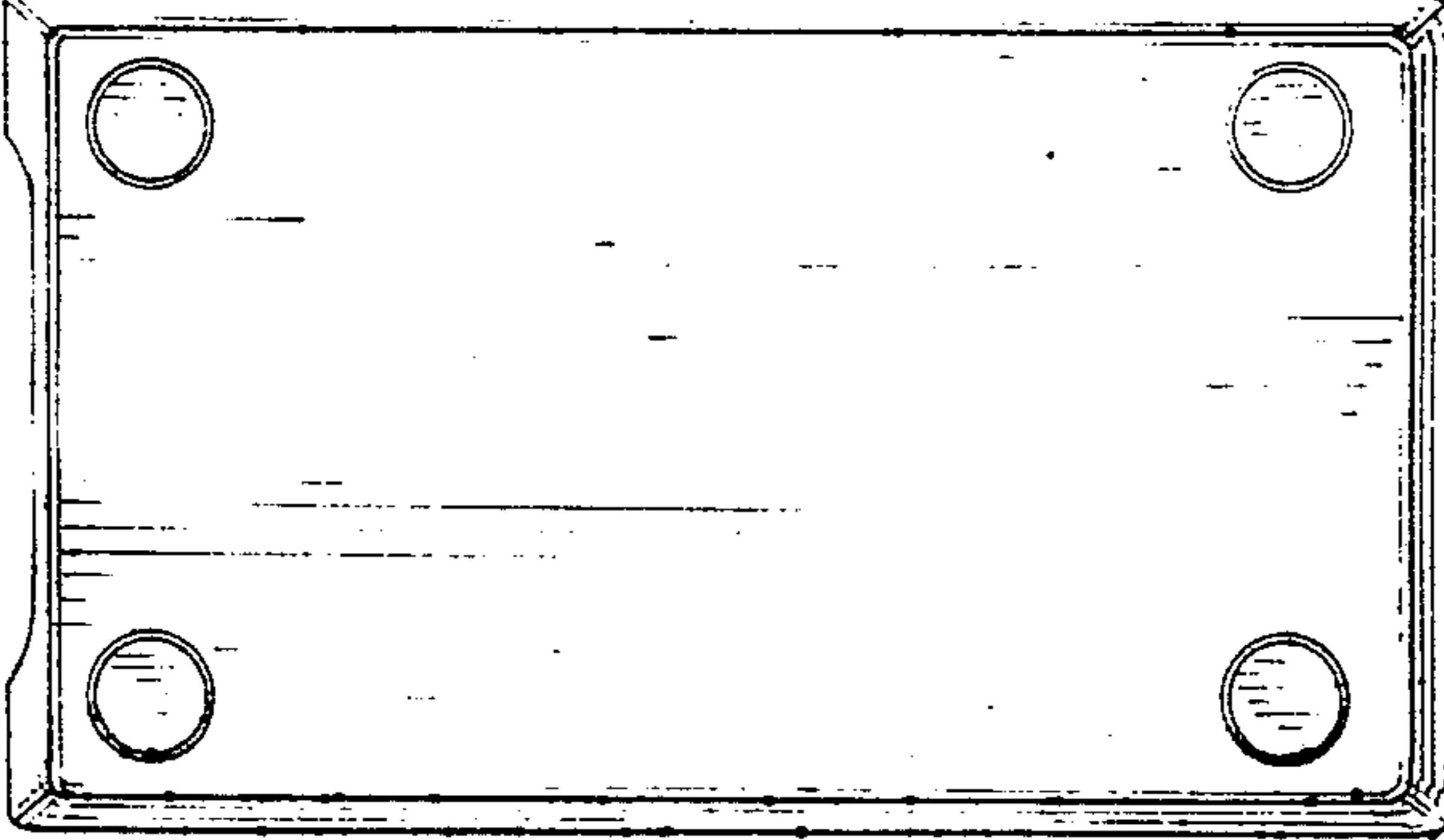


Fig. 6

