

[54] SPECTACLE FRAME

[75] Inventor: Cari Zalloni, Stuebing, Austria

[73] Assignee: Omatic AG, Switzerland

[**] Term: 14 Years

[21] Appl. No.: 639,191

[22] Filed: Aug. 9, 1984

[52] U.S. Cl. D16/102; D16/127

[58] Field of Search D16/100-123, D16/127, 129; 351/41, 44, 51, 52, 61, 83-88, 90-92, 103, 104, 106, 107, 110, 111

[56] References Cited

U.S. PATENT DOCUMENTS

D. 90,354	7/1933	Bouchard	D16/127
D. 160,109	9/1950	Nesselroth	D16/119
D. 201,920	8/1965	McCulloch	D16/115
D. 235,164	5/1975	Shindler	D16/127
D. 245,090	7/1977	Zimmerman	D16/102
2,225,625	12/1940	Erlich	88/41
4,178,081	12/1979	Metcalfe	351/153
4,268,130	5/1981	Vinocur	351/121
4,299,804	2/1981	Stohrer	351/121

4,494,832 6/1985 Takamura 351/41

FOREIGN PATENT DOCUMENTS

7535098 11/1975 France .

58-25614 2/1983 Japan .

OTHER PUBLICATIONS

The Optician, 11-30-1973, p. 26, London Williamson Ltd. "Exclusiv" Model 318 Frames.

Primary Examiner—Susan J. Lucas

Assistant Examiner—Clare E. Heflin

Attorney, Agent, or Firm—Charles E. Temko

[57] CLAIM

The ornamental design for a spectacle frame, substantially as shown and described.

DESCRIPTION

FIG. 1 is a front elevational view of a spectacle frame showing my new design;

FIG. 2 is a side of elevational view thereof, the opposite side being a mirror image;

FIG. 3 is a top plan view thereof;

FIG. 4 is a bottom plan view thereof; and

FIG. 5 is a rear elevational view thereof.

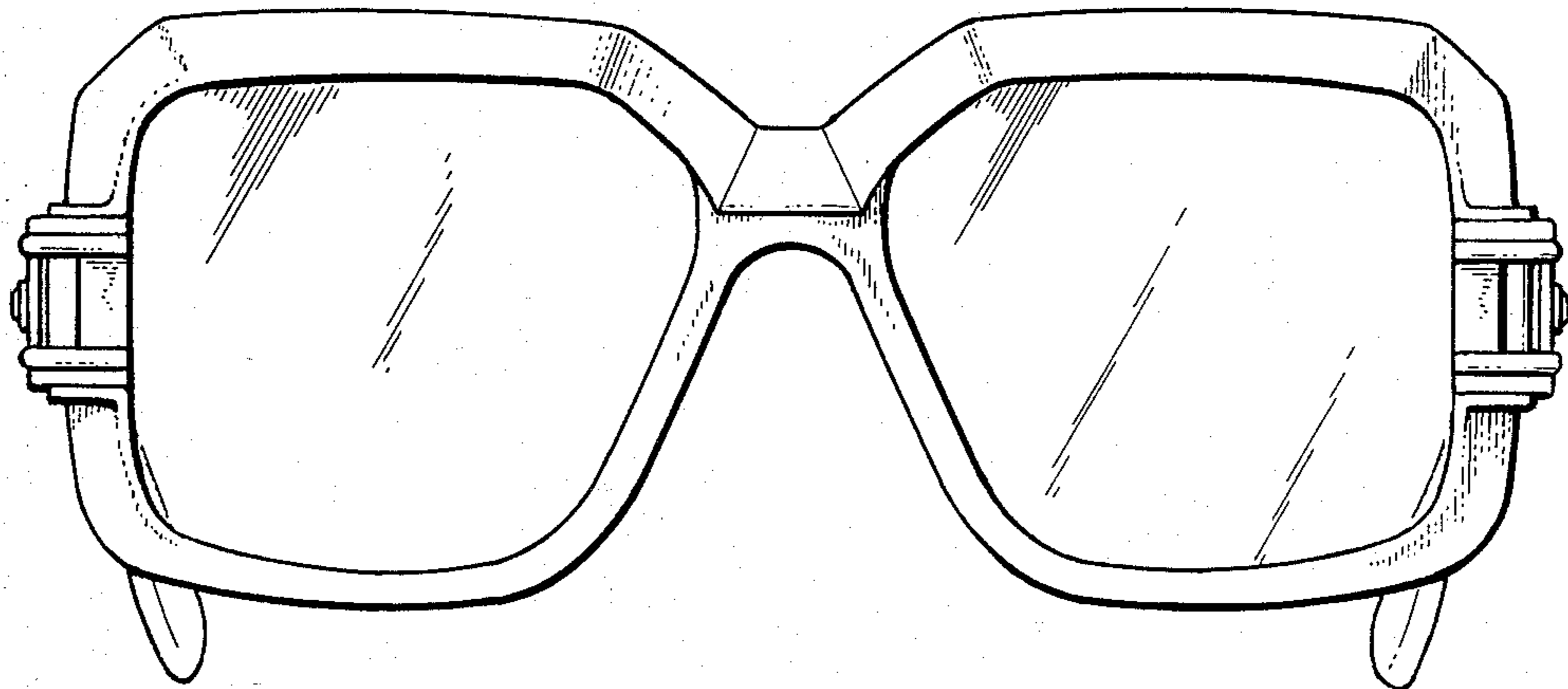


FIG. 1.

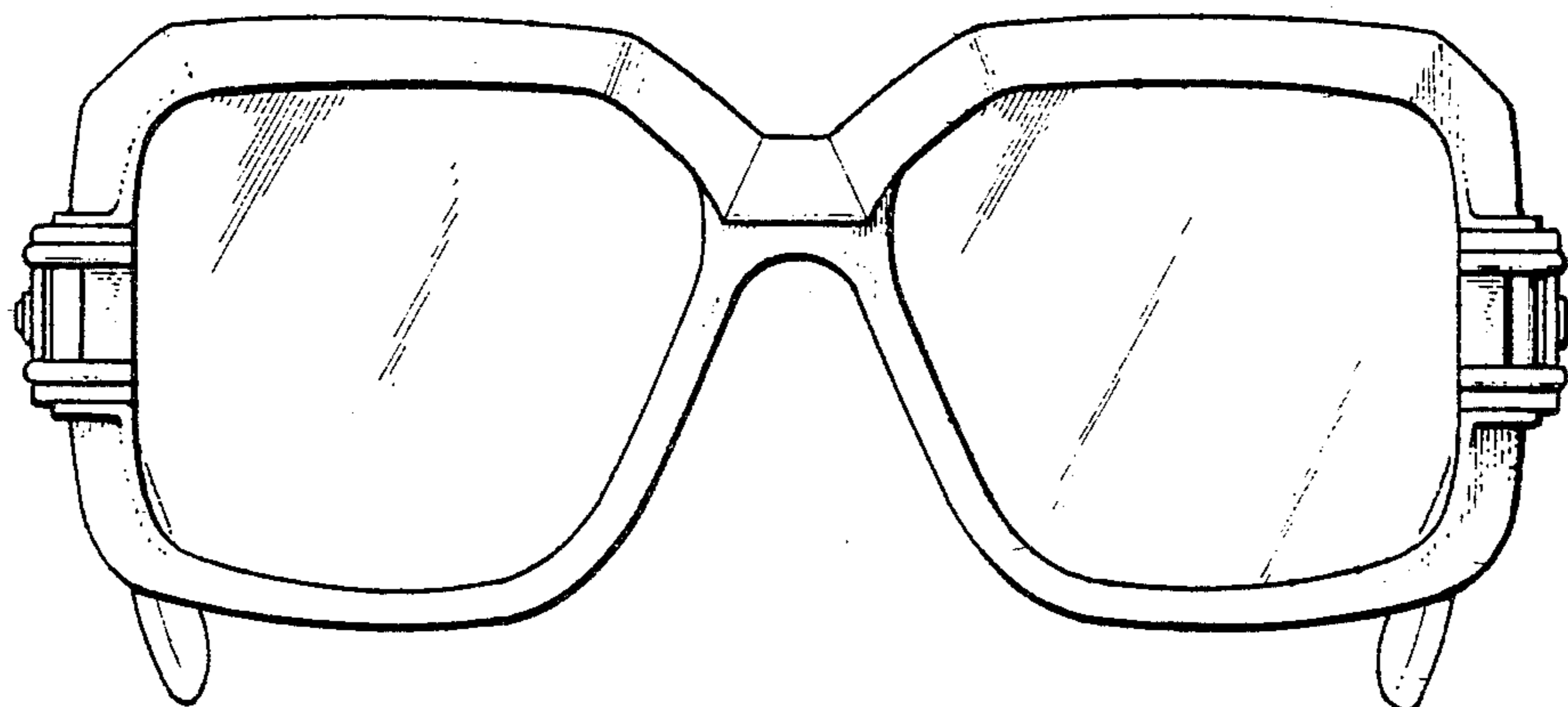


FIG. 2.

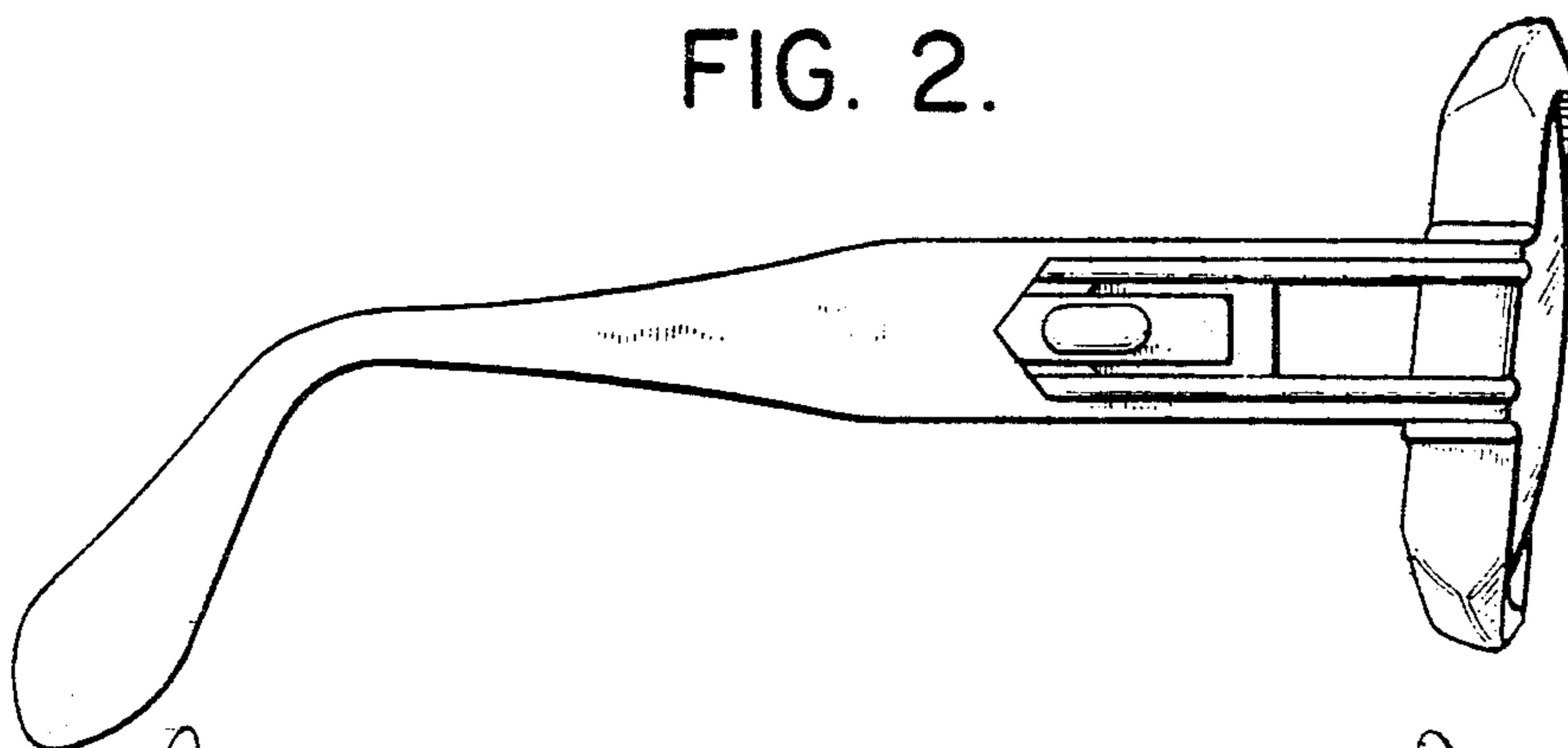


FIG. 3.

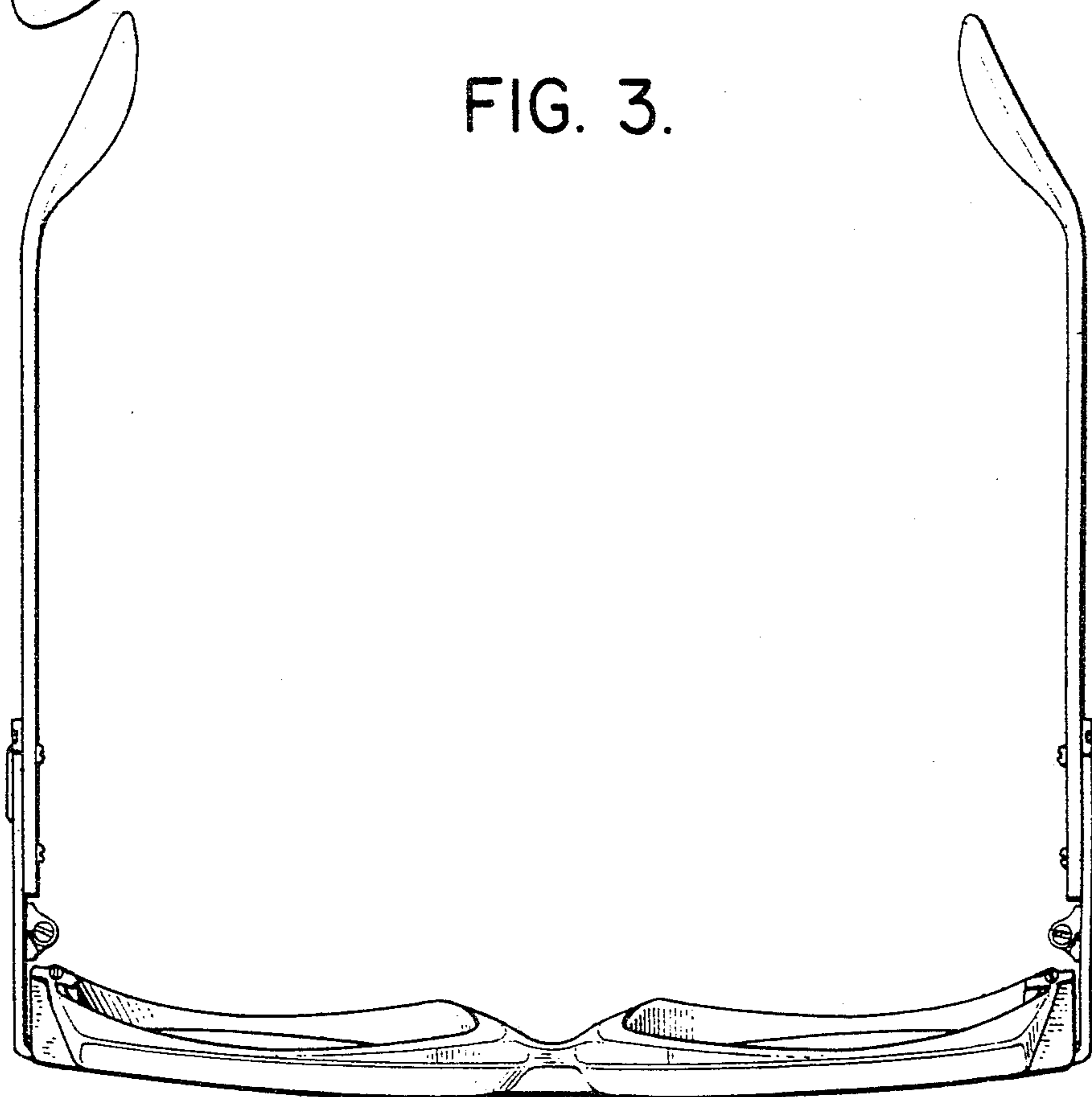


FIG. 4.

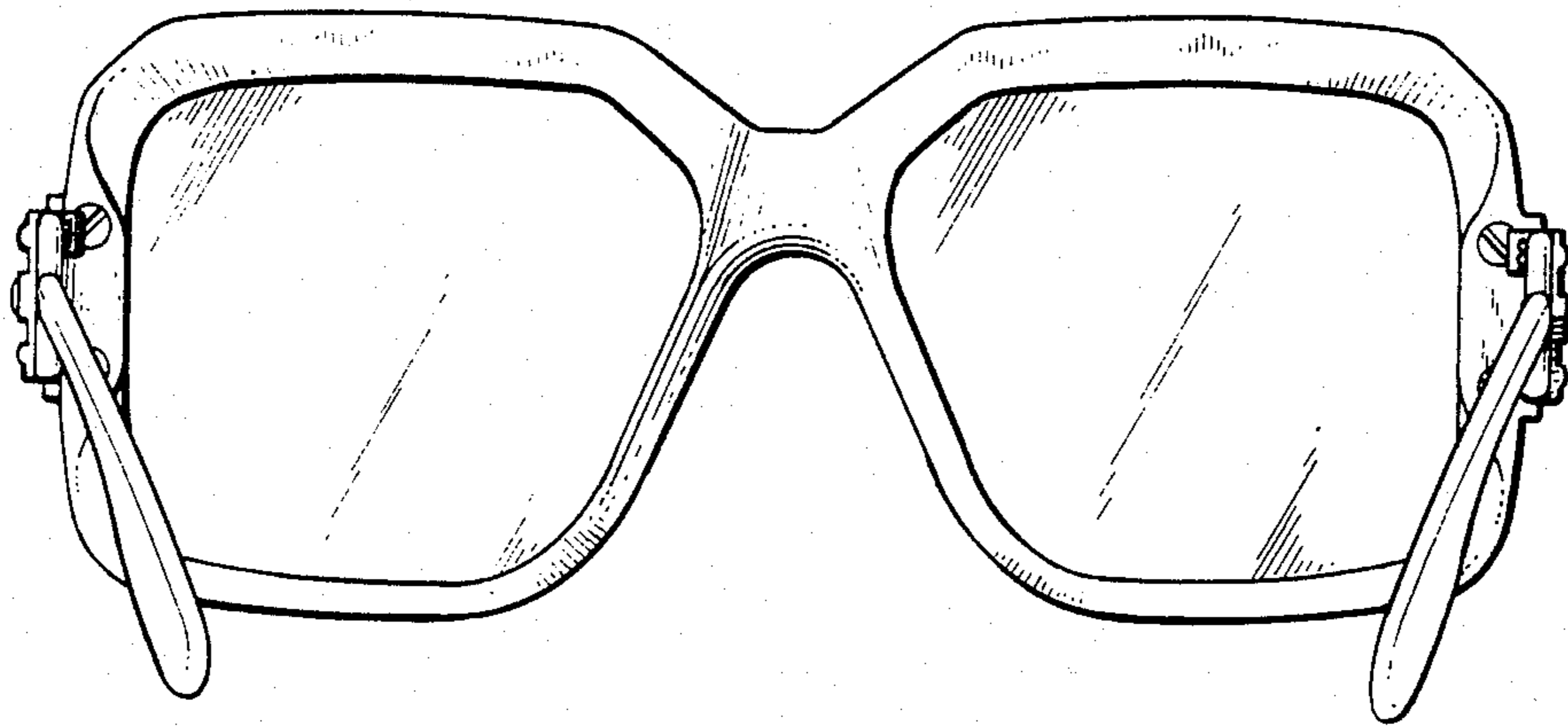


FIG. 5.

