

[54] BENCH-TYPE BELT SANDER

[75] Inventor: Lawrence E. House, II, Raleigh, N.C.

[73] Assignee: The Black and Decker Manufacturing Company, Towson, Md.

[**] Term: 14 Years

[21] Appl. No.: 406,970

[22] Filed: Aug. 10, 1982

[52] U.S. Cl. D15/125

[58] Field of Search D15/124, 125; 51/135 R, 51/135 BT

[56] References Cited

U.S. PATENT DOCUMENTS

2,055,351	9/1936	Hormel	51/135 R
2,423,737	7/1947	Tavano	51/135 R
2,452,205	10/1948	Newton	51/135 R
2,744,362	5/1956	Gordo et al.	51/135 R
3,608,245	9/1971	Fair, Jr. et al.	51/135 BT

OTHER PUBLICATIONS

1982-83 Consumer Catalog, the Black & Decker Company, Towson, Maryland, 1982, p. 51, Relating to Drill Powered Belt Sanders.

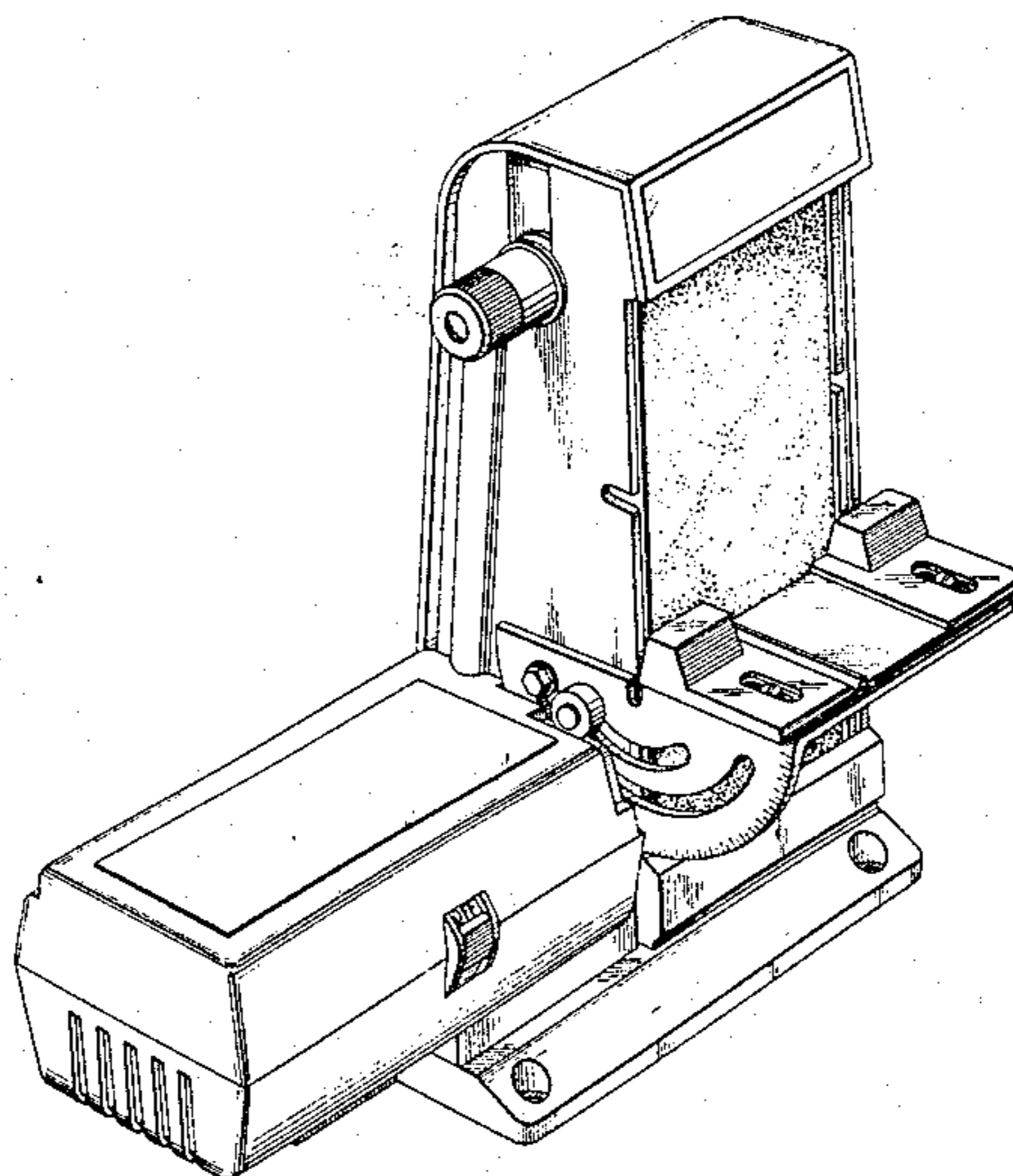
Primary Examiner—B. J. Bullock
Attorney, Agent, or Firm—Finnegan, Henderson, Farabow, Garrett & Dunner

[57] CLAIM

The ornamental design for a bench-type belt sander, as shown and described.

DESCRIPTION

FIG. 1 is a front view of the bench-type belt sander showing my new design;
FIG. 2 is a rear view thereof;
FIG. 3 is a side view taken from the right of FIG. 1;
FIG. 4 is a side view taken from the left of FIG. 1;
FIG. 5 is a top view thereof;
FIG. 6 is a bottom view thereof.
FIG. 7 is a perspective view thereof.



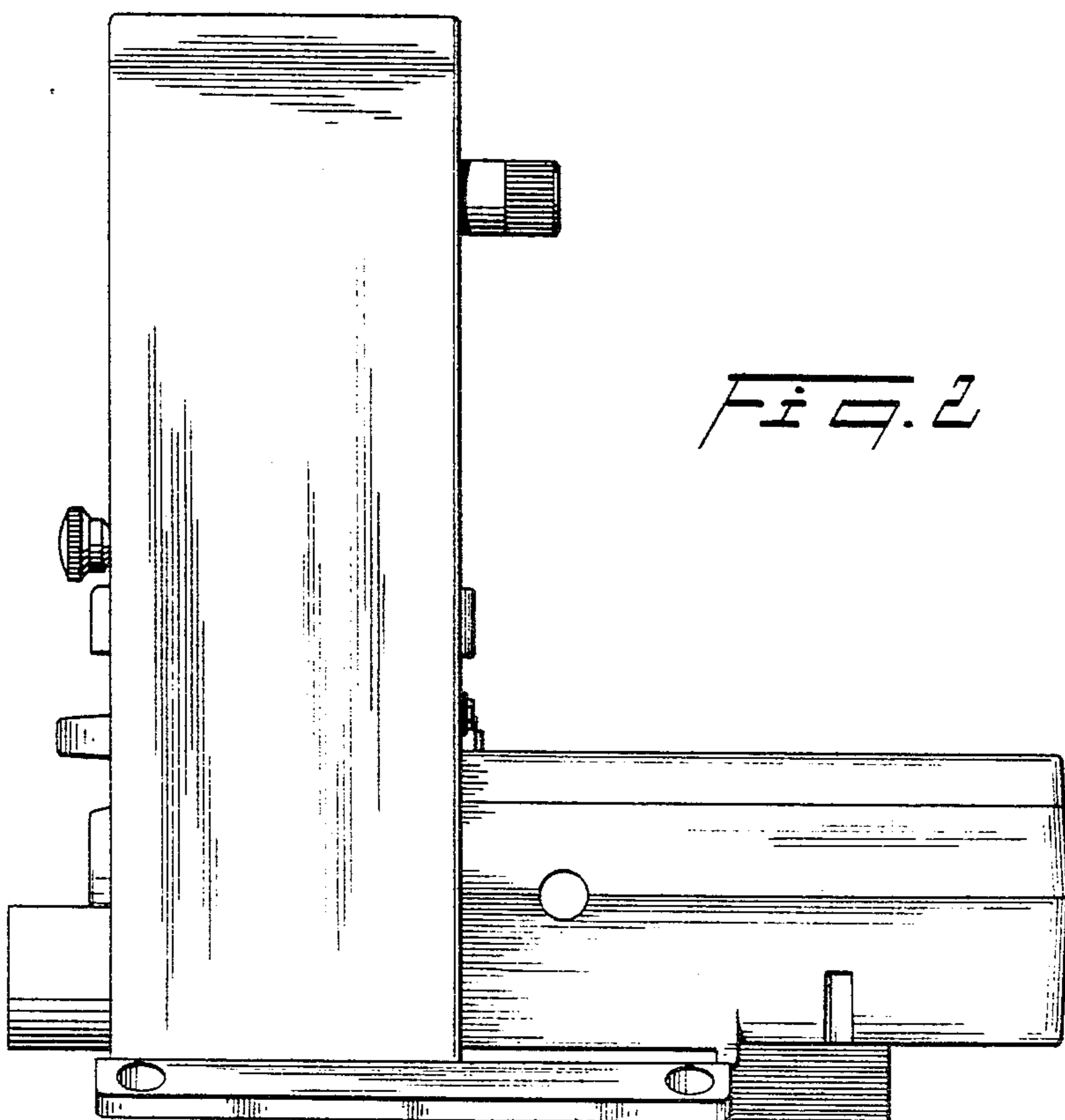
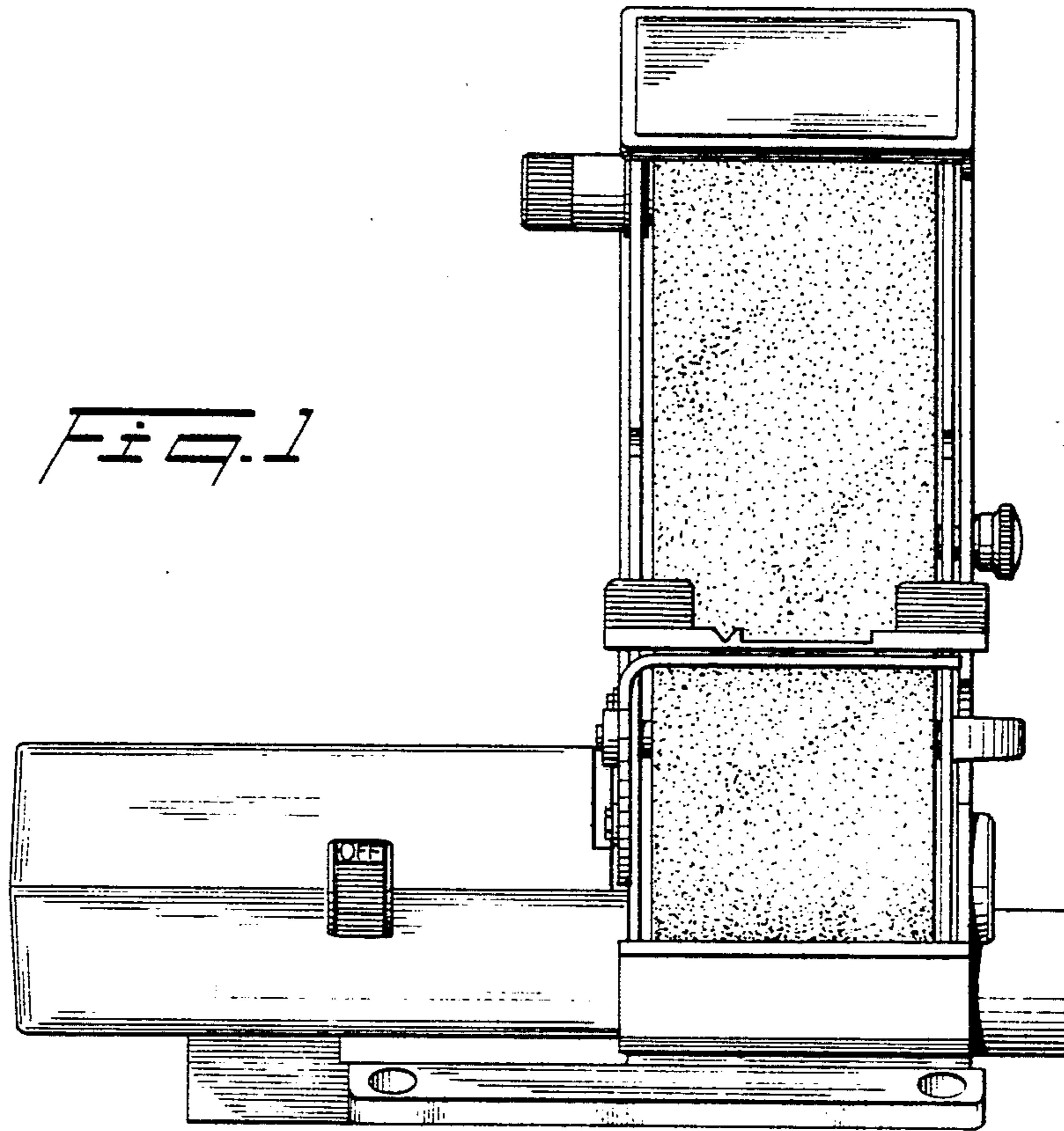


FIG. 3

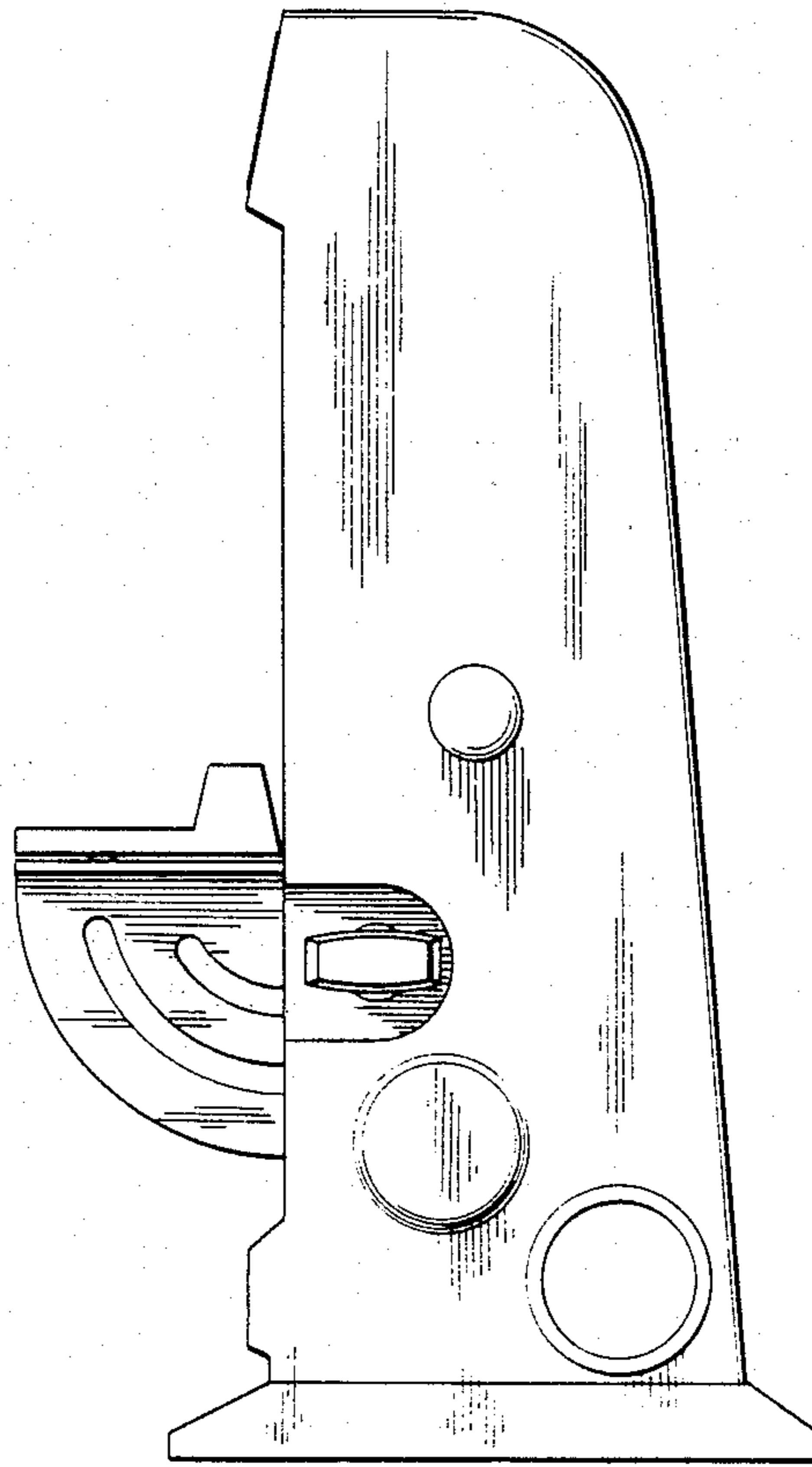


FIG. 4

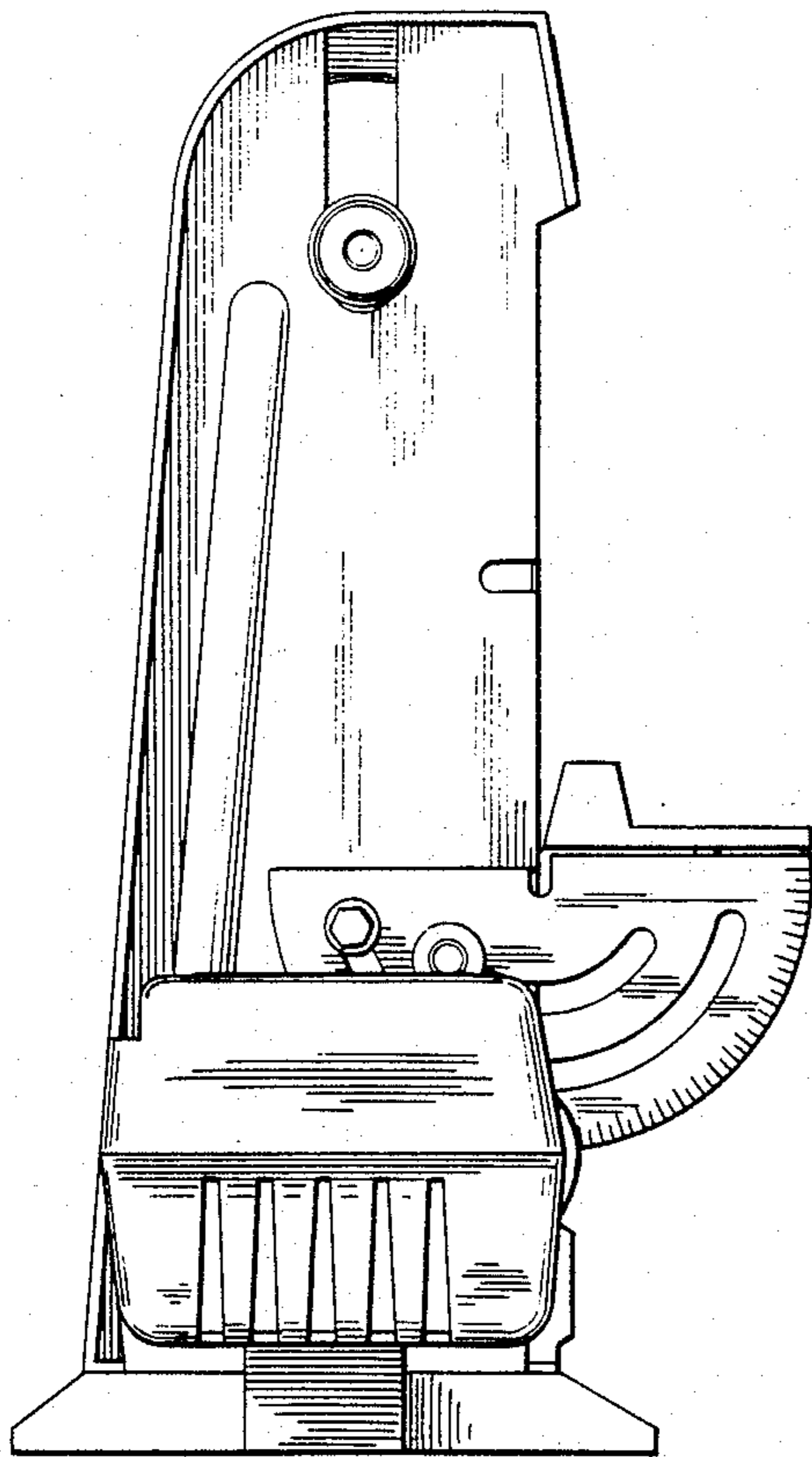


Fig. 5

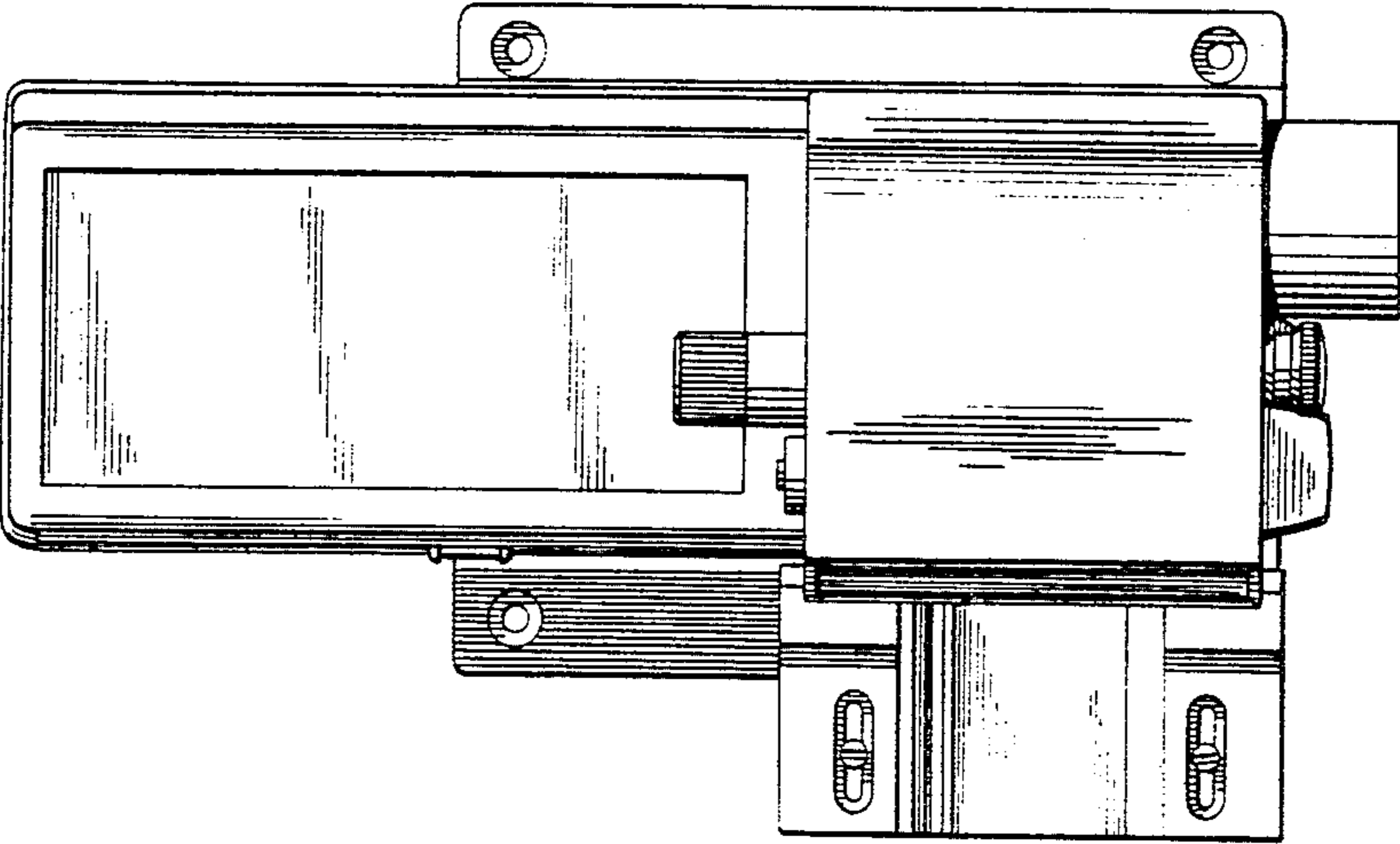
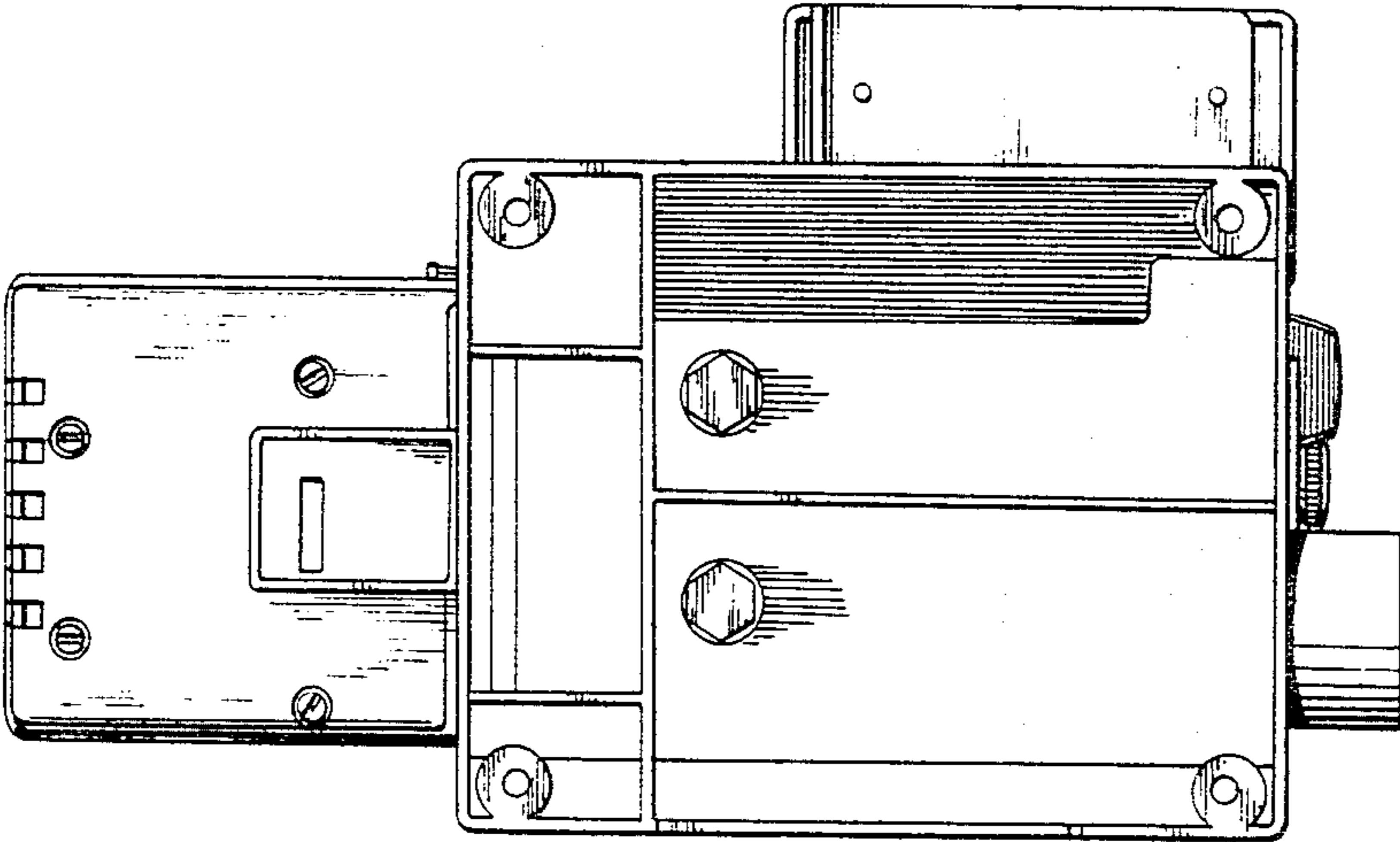


Fig. 6



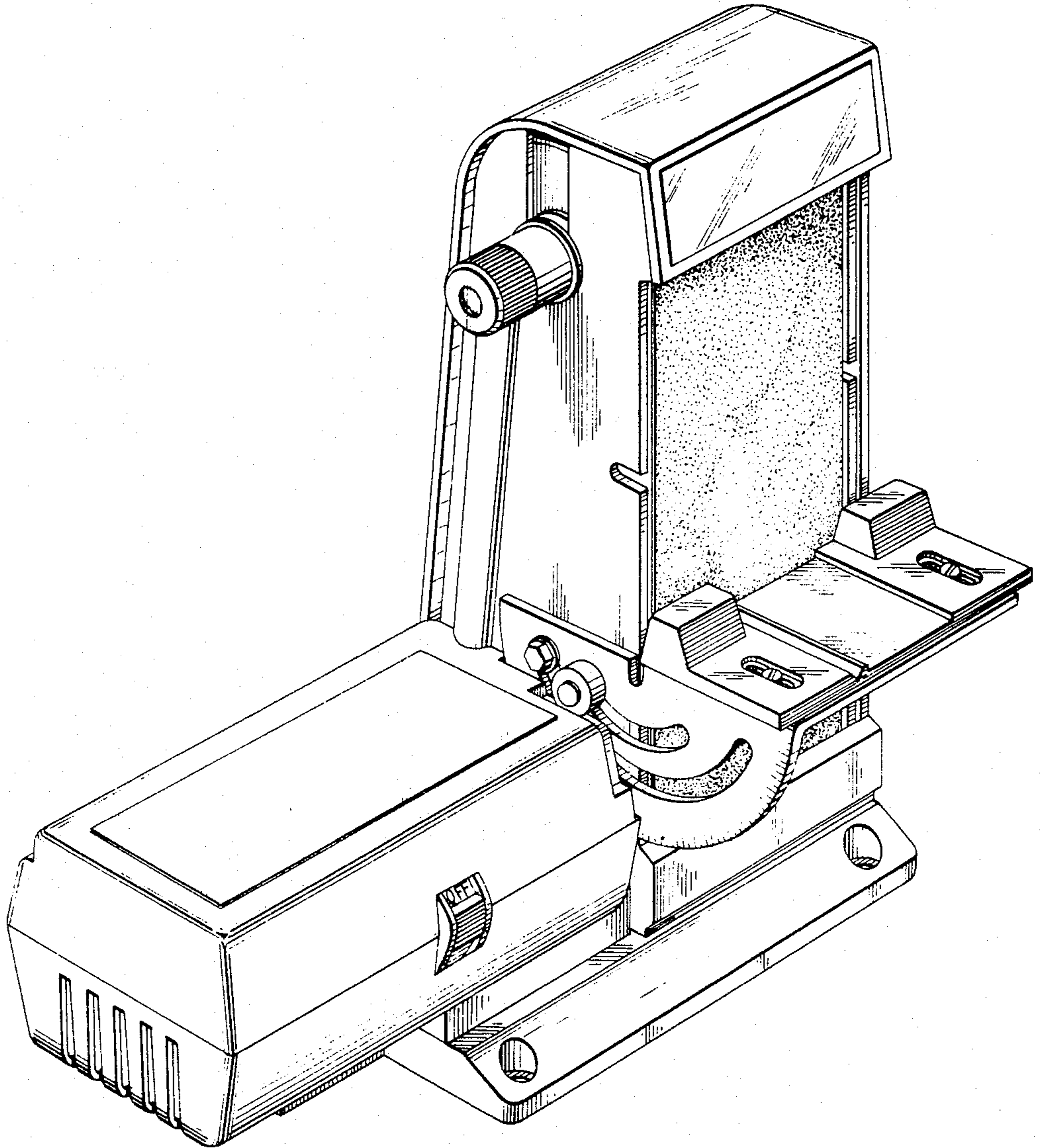


Fig. 7