

[54] INDUSTRIAL ROBOT

[75] Inventors: Takeshi Abe, Tokyo; Masato Sibayama, Sayama; Yuhiko Yabe, Tochigi; Ryouichi Hisatomi, Tochigi; Yoshiaki Yoshikawa, Tochigi; Yuuichi Namura, Tochigi; Takeshi Sasaki, Tochigi, all of Japan

[73] Assignee: Hitachi, Ltd., Tokyo, Japan

[**] Term: 14 Years

[21] Appl. No.: 495,676

[22] Filed: May 18, 1983

[30] Foreign Application Priority Data

Nov. 26, 1982 [JP] Japan 57-53042
Mar. 14, 1983 [JP] Japan 58-10169

[52] U.S. Cl. D15/199; D15/122

[58] Field of Search D15/122, 199; 414/729, 414/728, 732, 738; 901/30, 31, 40, 23

[56] References Cited
U.S. PATENT DOCUMENTS

3,476,266	11/1969	Devol	D15/199
3,543,910	12/1970	Devol	414/728
3,851,769	12/1974	Noguchi et al.	D15/199
3,951,271	4/1976	Mette	901/31
4,264,266	4/1981	Trechsel	414/730
4,274,802	6/1981	Inaba et al.	D15/199

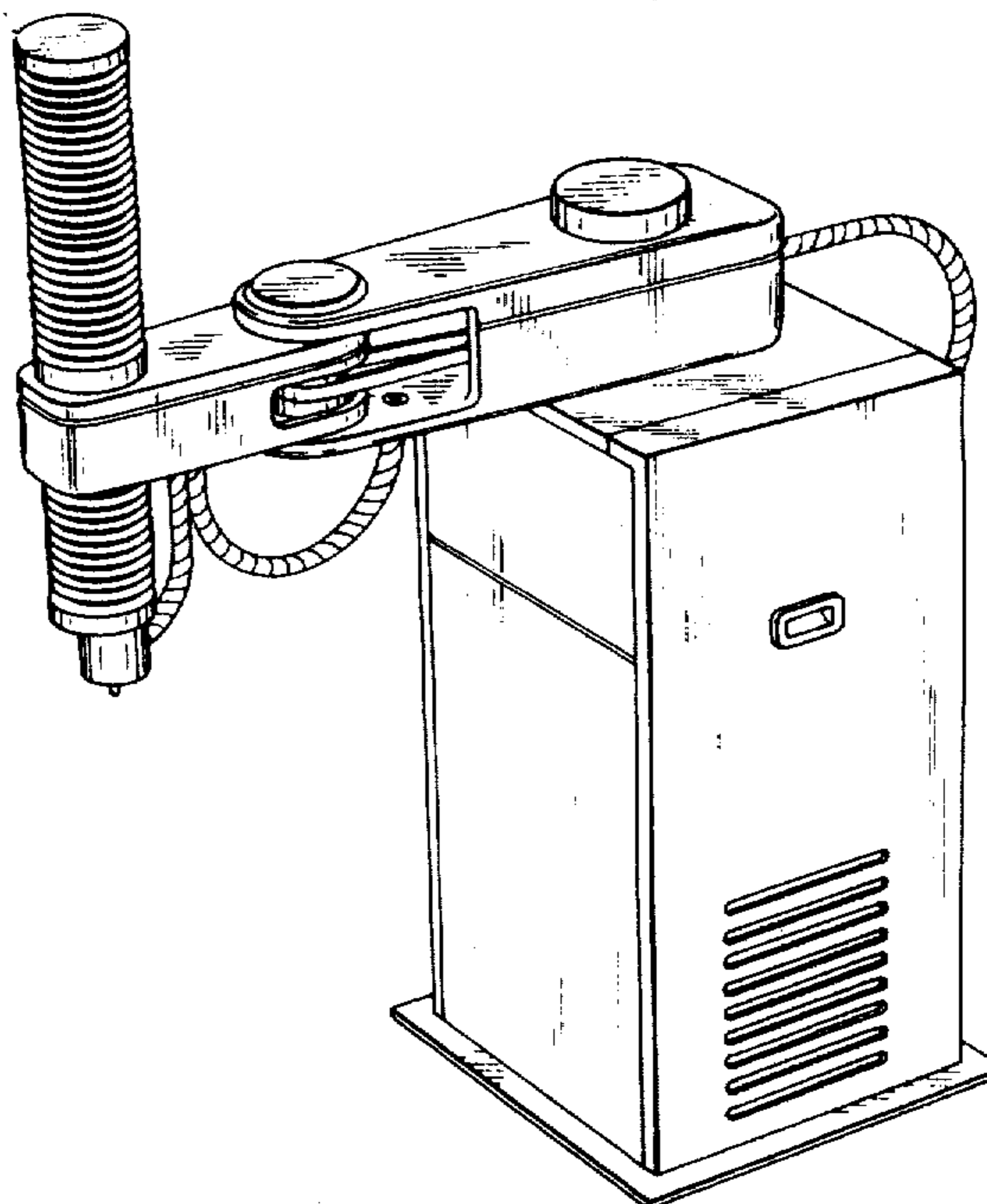
Primary Examiner—B. J. Bullock
Attorney, Agent, or Firm—Antonelli, Terry & Wands

[57] CLAIM

The ornamental design for an industrial robot, as shown and described.

DESCRIPTION

FIG. 1 is a front, top and left perspective view of an industrial robot showing our new design; FIG. 2 is a rear elevational view thereof; FIG. 3 is a top plan view thereof; FIG. 4 is a left side elevational view thereof; FIG. 5 is a right side elevational view thereof; FIG. 6 is a bottom plan view thereof; FIG. 7 is a top plan view with the arm in an alternate position.



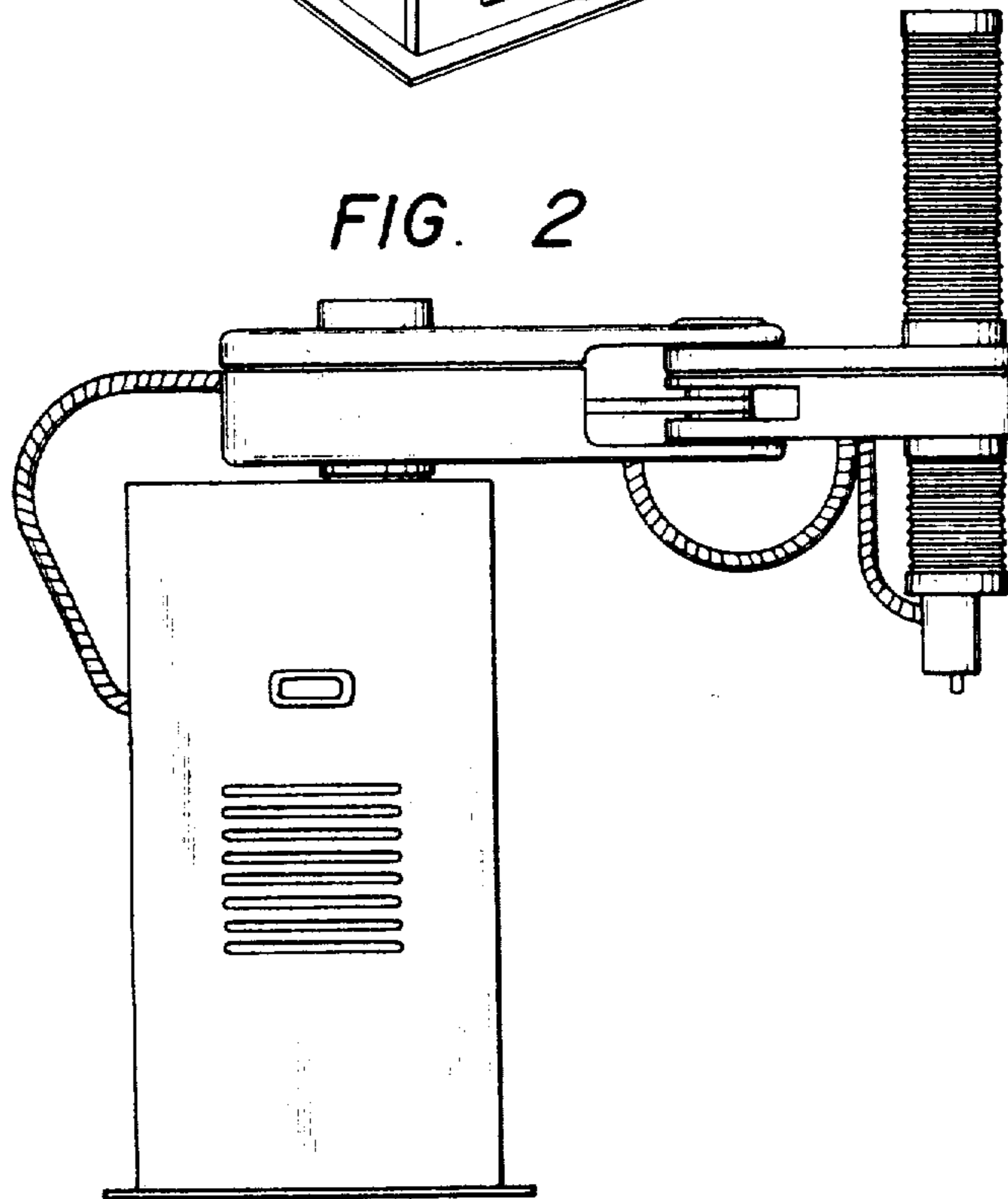
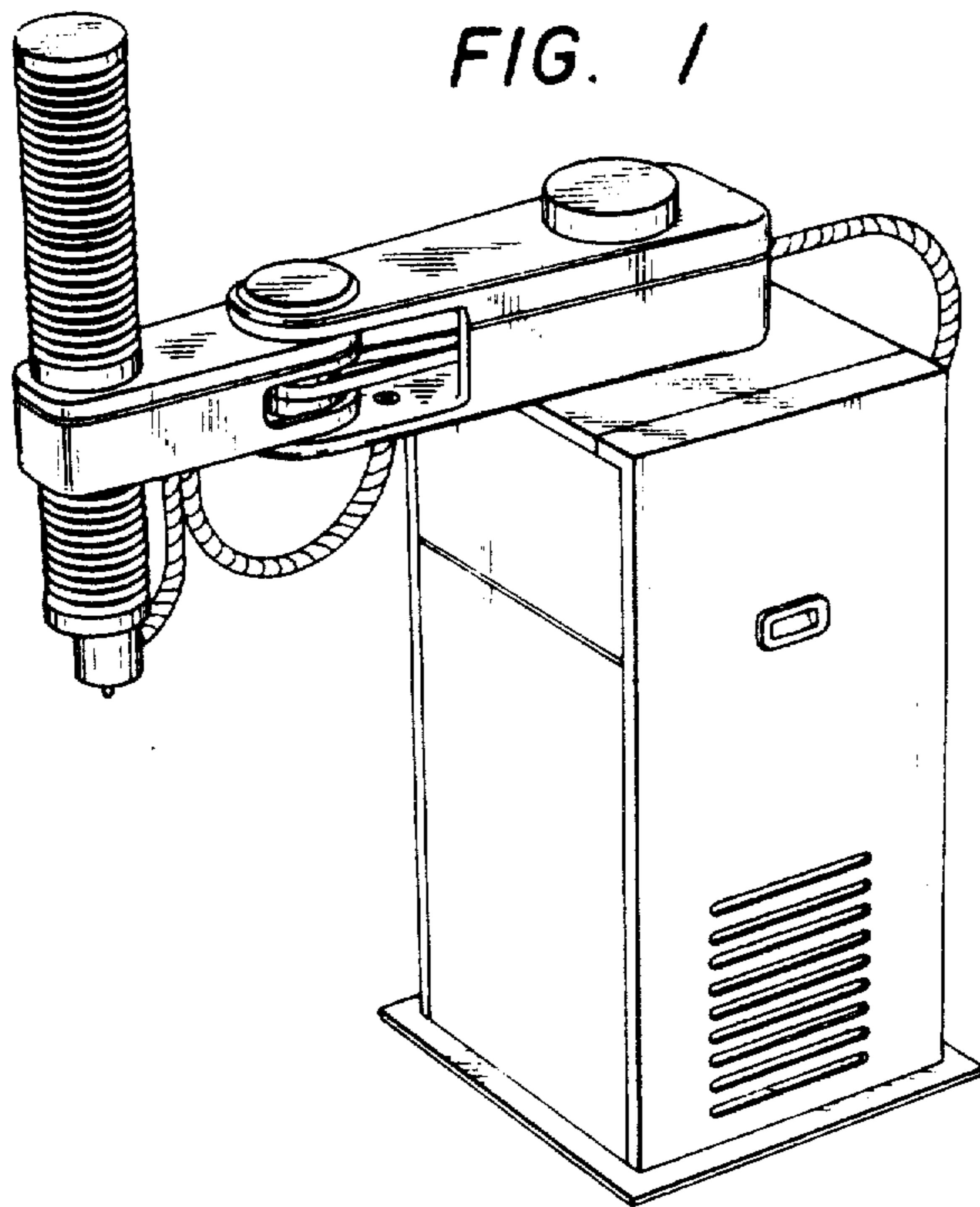


FIG. 3

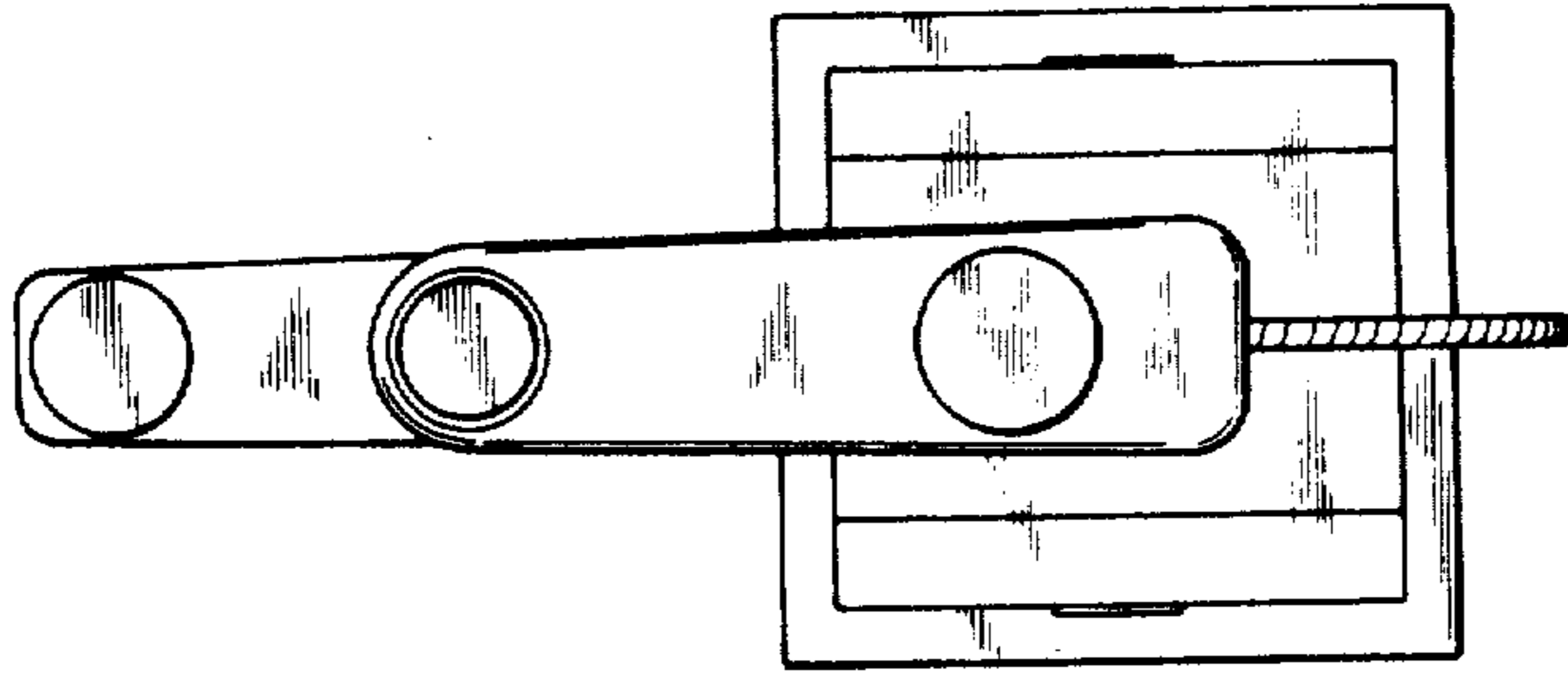


FIG. 4

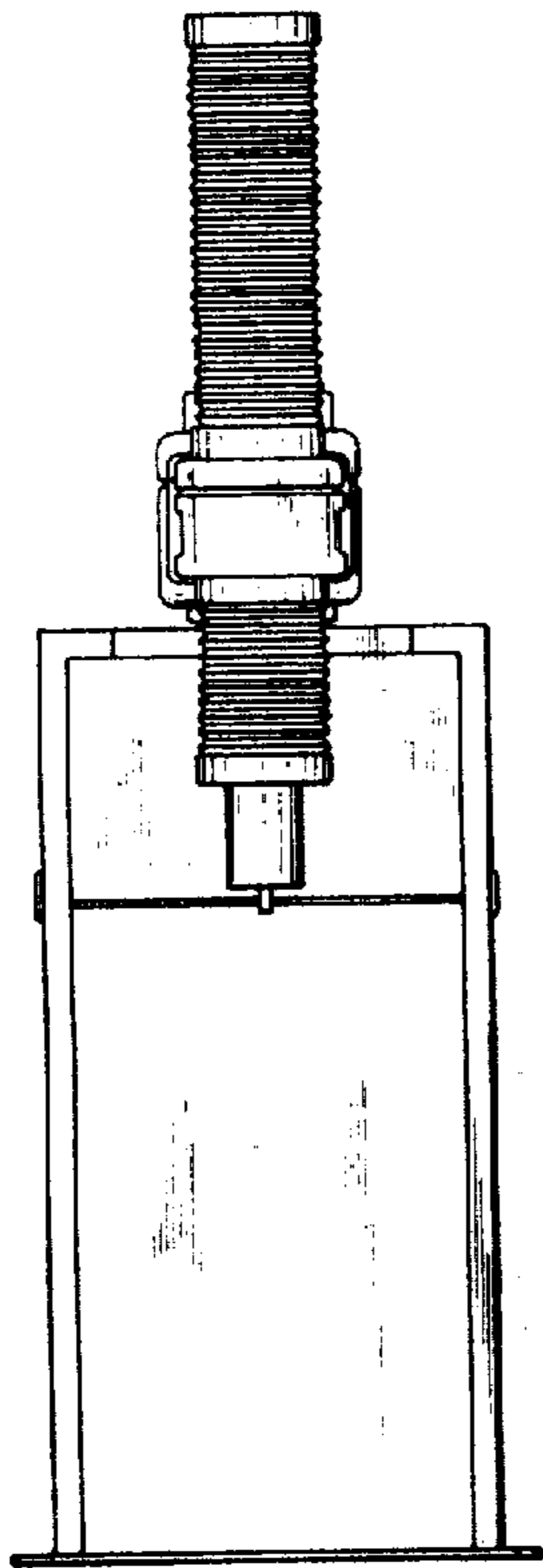


FIG. 5

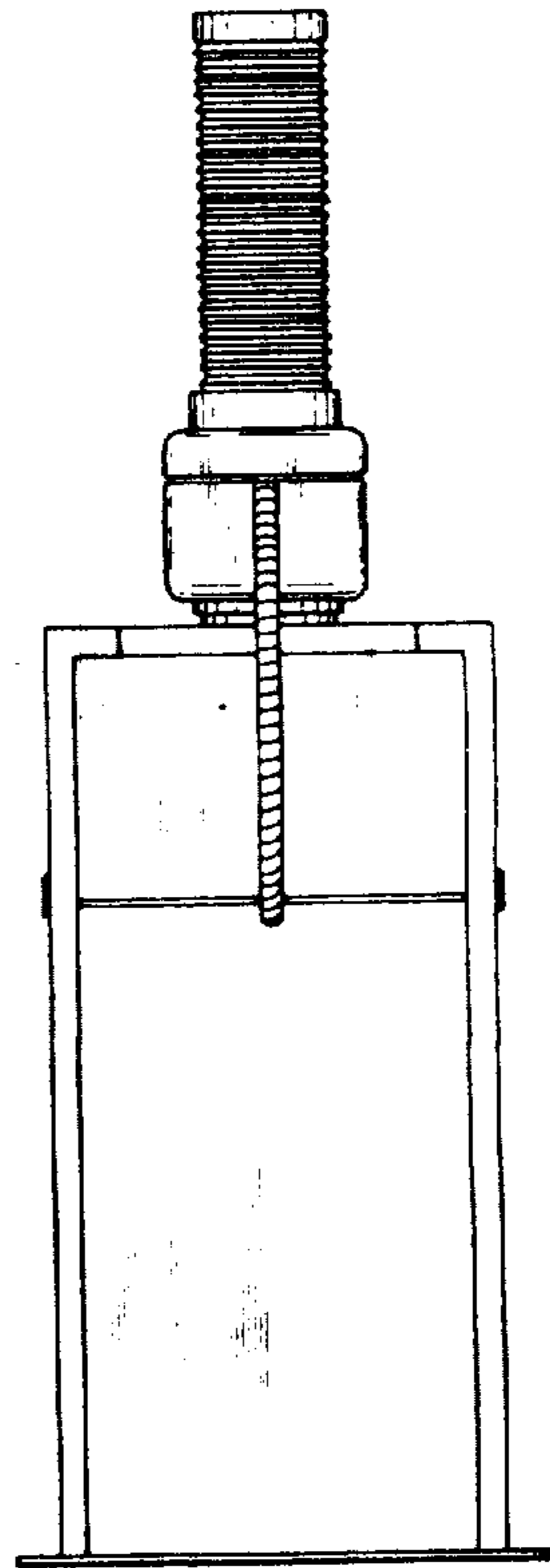


FIG. 6

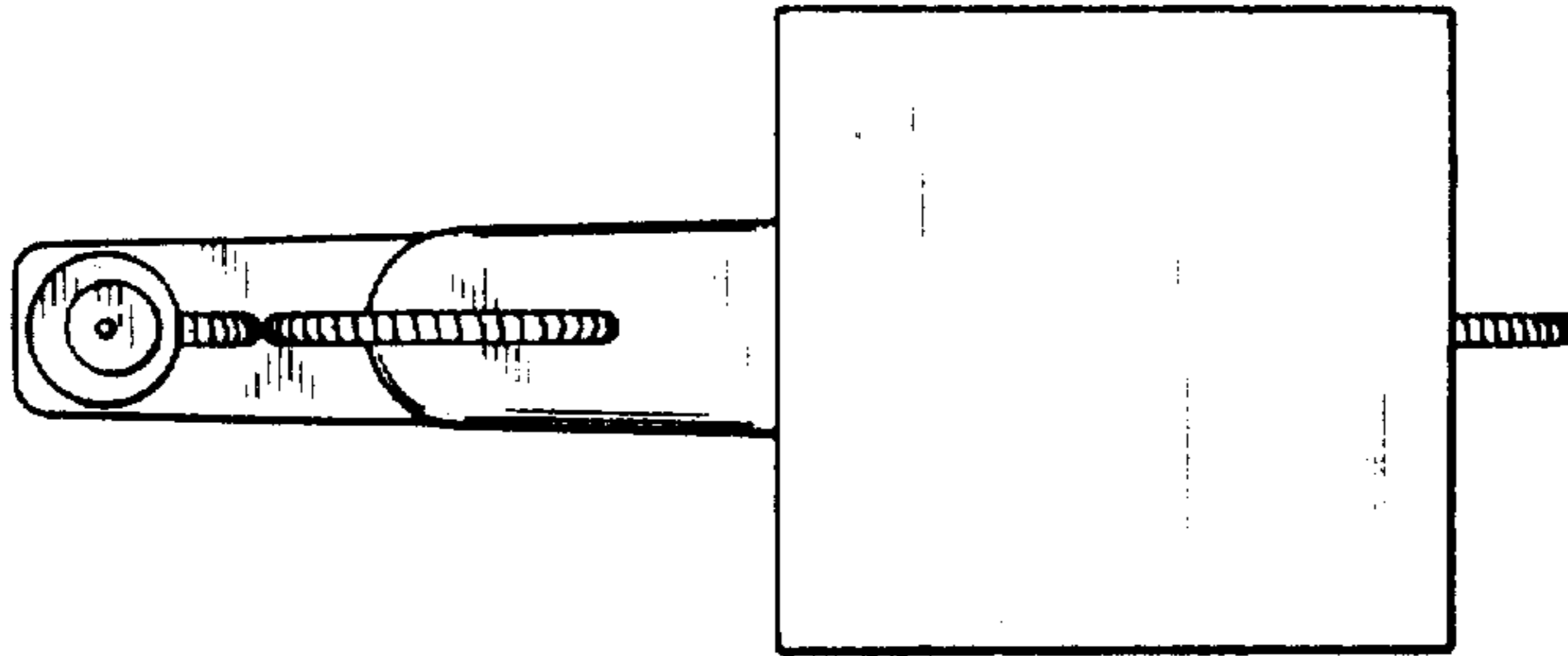


FIG. 7

