

[54] PORTABLE SEWING MACHINE

[75] Inventor: Tsuneo Seyama, Yono, Japan

[73] Assignee: Kabushiki Kaisha Niida Seisakusho, Sanjo, Japan

[\*\*] Term: 14 Years

[21] Appl. No.: 471,827

[22] Filed: Mar. 3, 1983

[30] Foreign Application Priority Data

Sep. 3, 1982 [JP] Japan ..... 57-39974

[52] U.S. Cl. .... D15/69

[58] Field of Search ..... D15/66, 69; 112/63, 112/258-261, 154, 169

[56] References Cited

U.S. PATENT DOCUMENTS

- 1,959,138 5/1934 Nimmer ..... 112/261
- 2,669,722 2/1954 Godshall ..... D15/66 X
- 3,435,789 4/1969 Kuramochi ..... 112/169
- 3,957,004 5/1976 Ketterer et al. .... 112/169

FOREIGN PATENT DOCUMENTS

- 2624540 12/1977 Fed. Rep. of Germany ..... 112/169
- 1200713 12/1959 France ..... 112/169

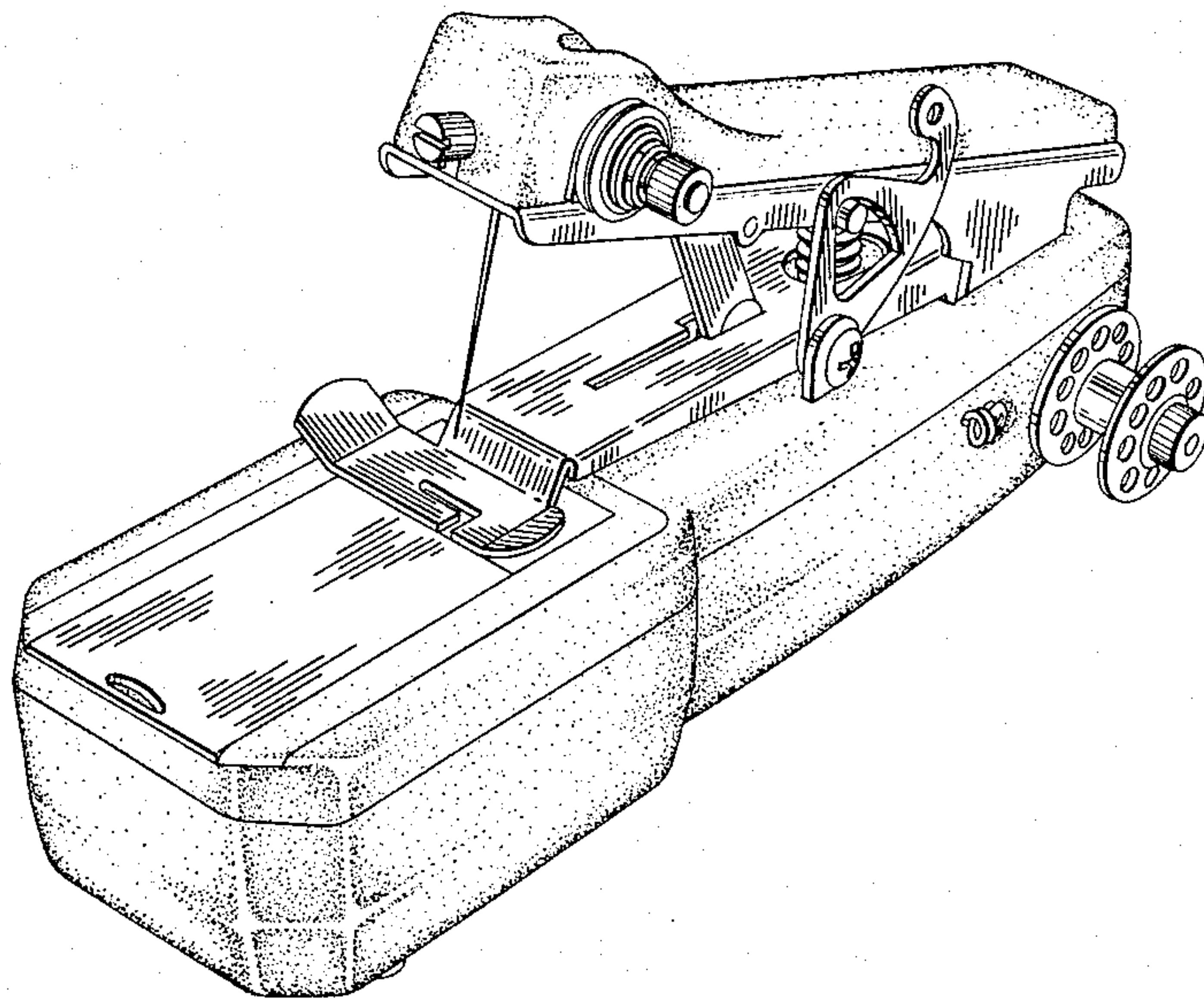
Primary Examiner—Bernard Ansher  
 Assistant Examiner—Linda Titolo  
 Attorney, Agent, or Firm—Robert E. Burns; Emmanuel J. Lobato; Bruce L. Adams

[57] CLAIM

The ornamental design for a portable sewing machine, substantially as shown and described.

DESCRIPTION

FIG. 1 is a top front perspective view of a portable sewing machine showing my new design, and showing the arm in an open condition;  
 FIG. 2 is a front elevational view thereof;  
 FIG. 3 is a rear elevational view thereof;  
 FIG. 4 is a front elevational view thereof showing the arm in a closed condition;  
 FIG. 5 is a top plan view thereof;  
 FIG. 6 is a bottom plan view thereof;  
 FIG. 7 is a left side view thereof; and  
 FIG. 8 is a right side view thereof.



*FIG. 1*

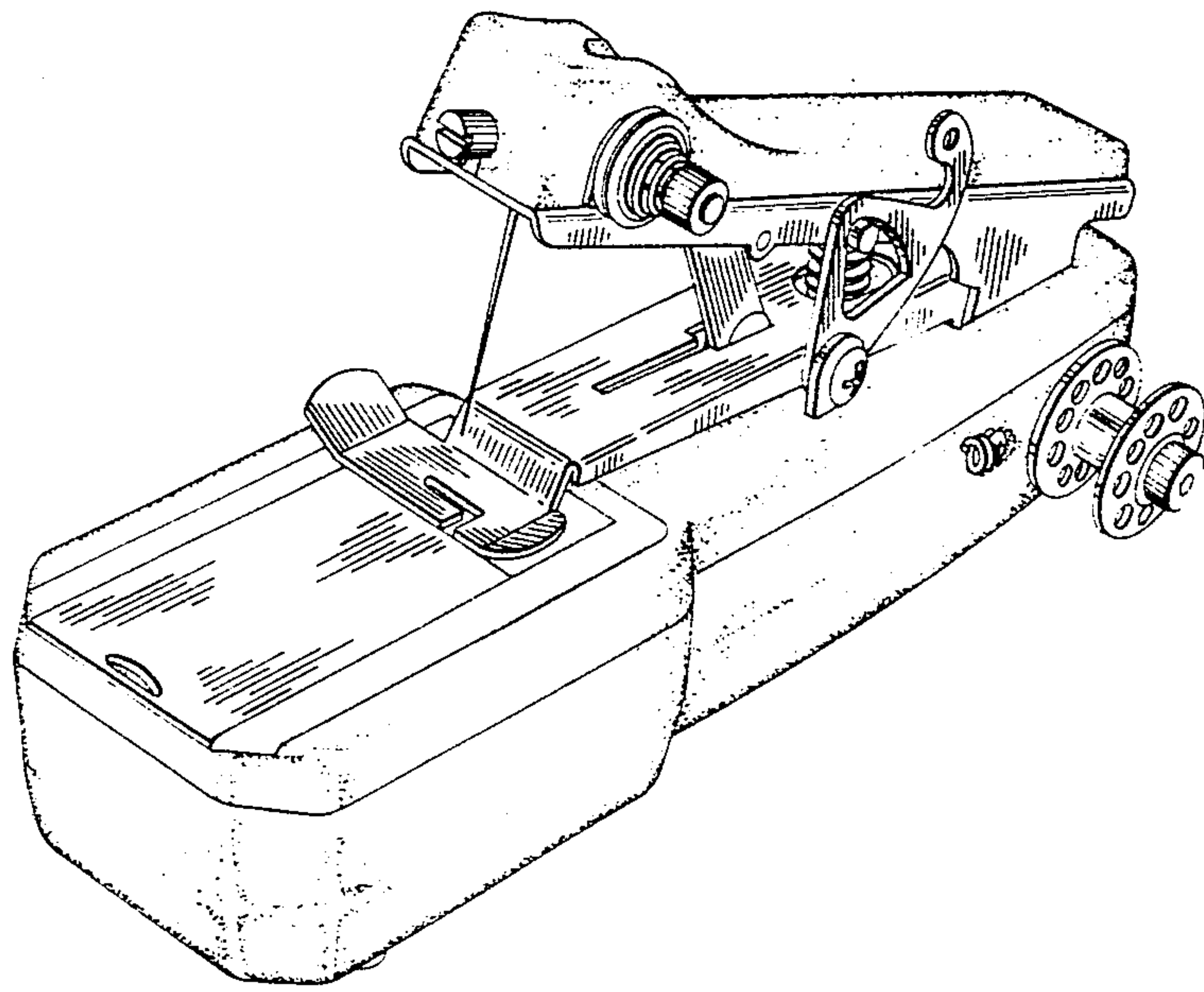


FIG. 2

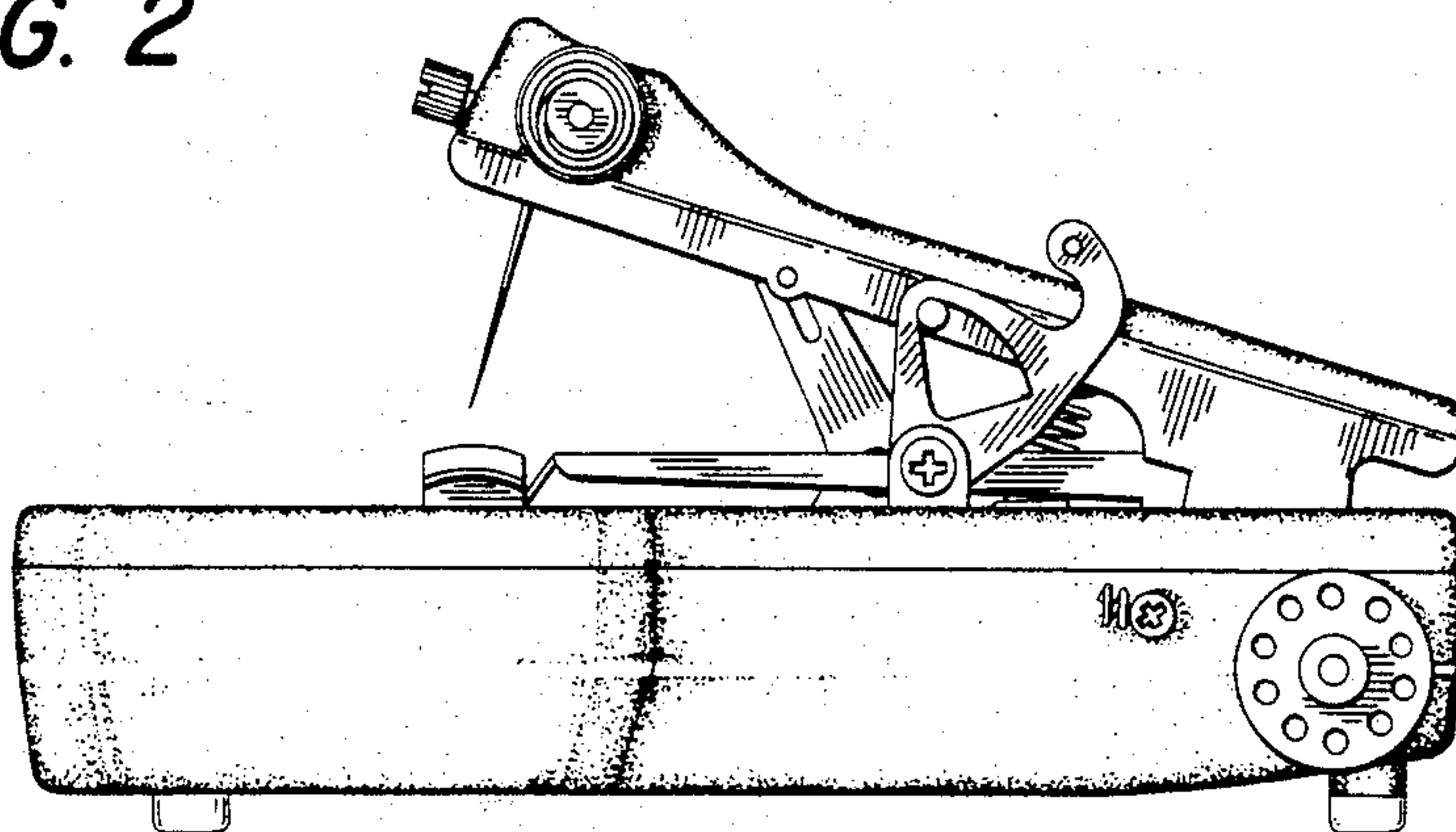


FIG. 3

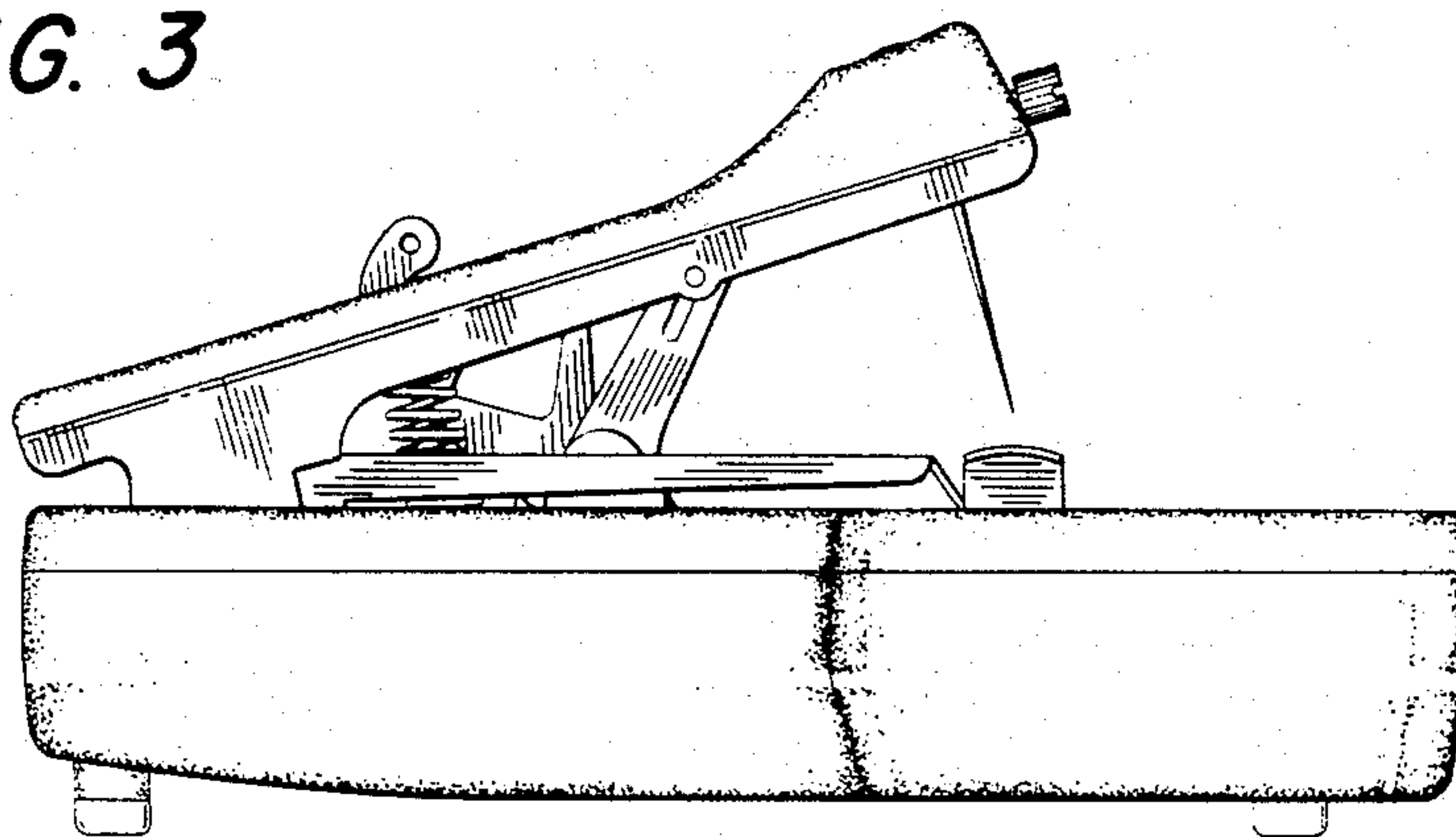


FIG. 4

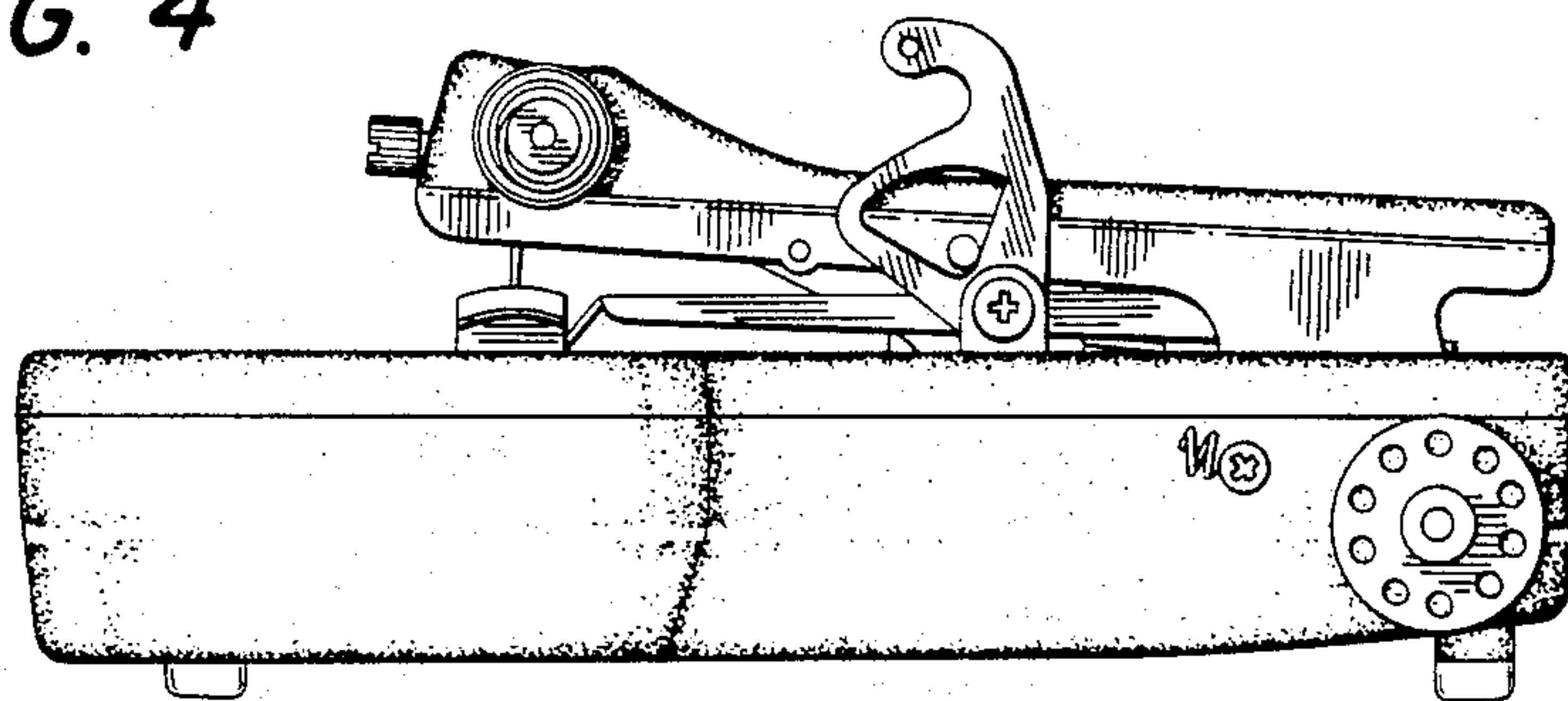




FIG. 5

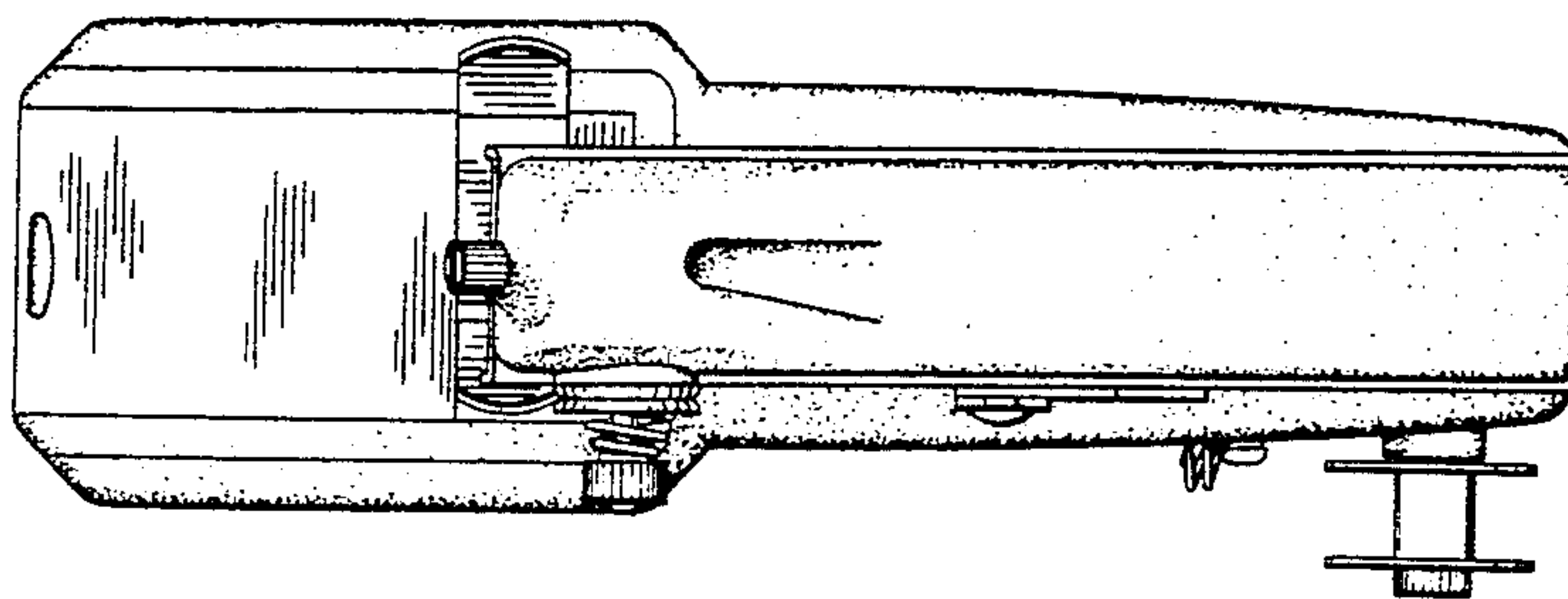


FIG. 6

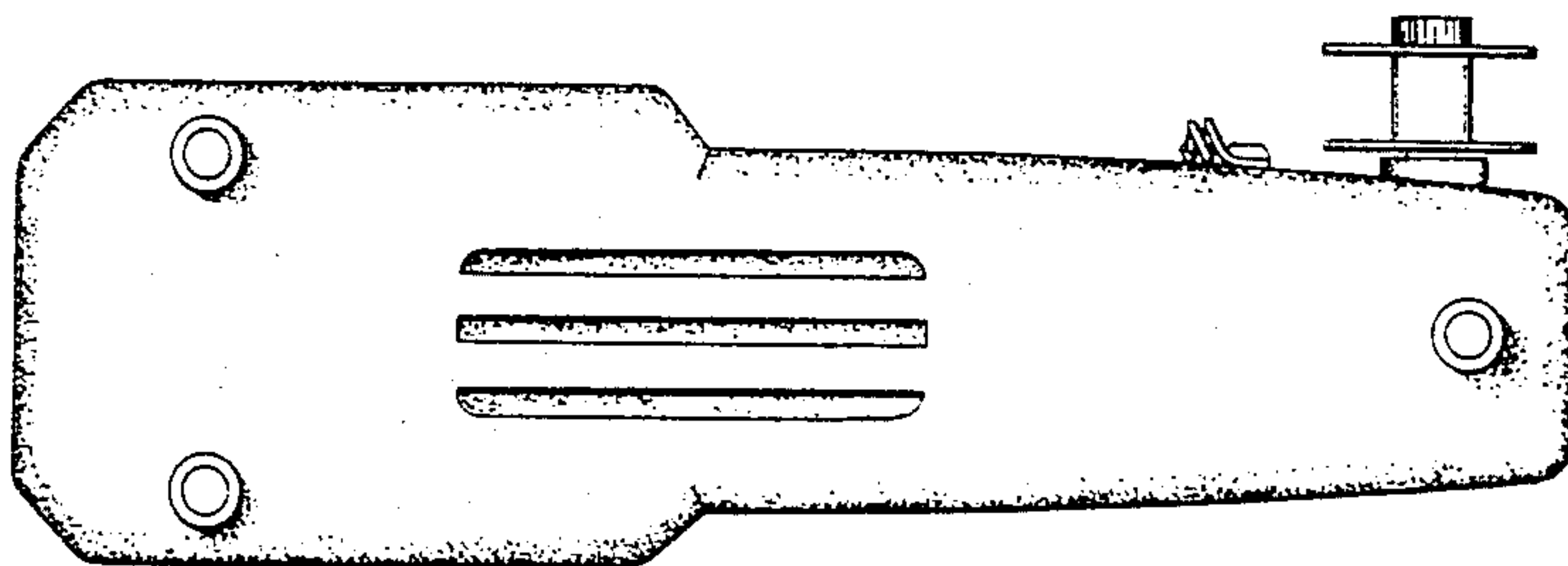


FIG. 7

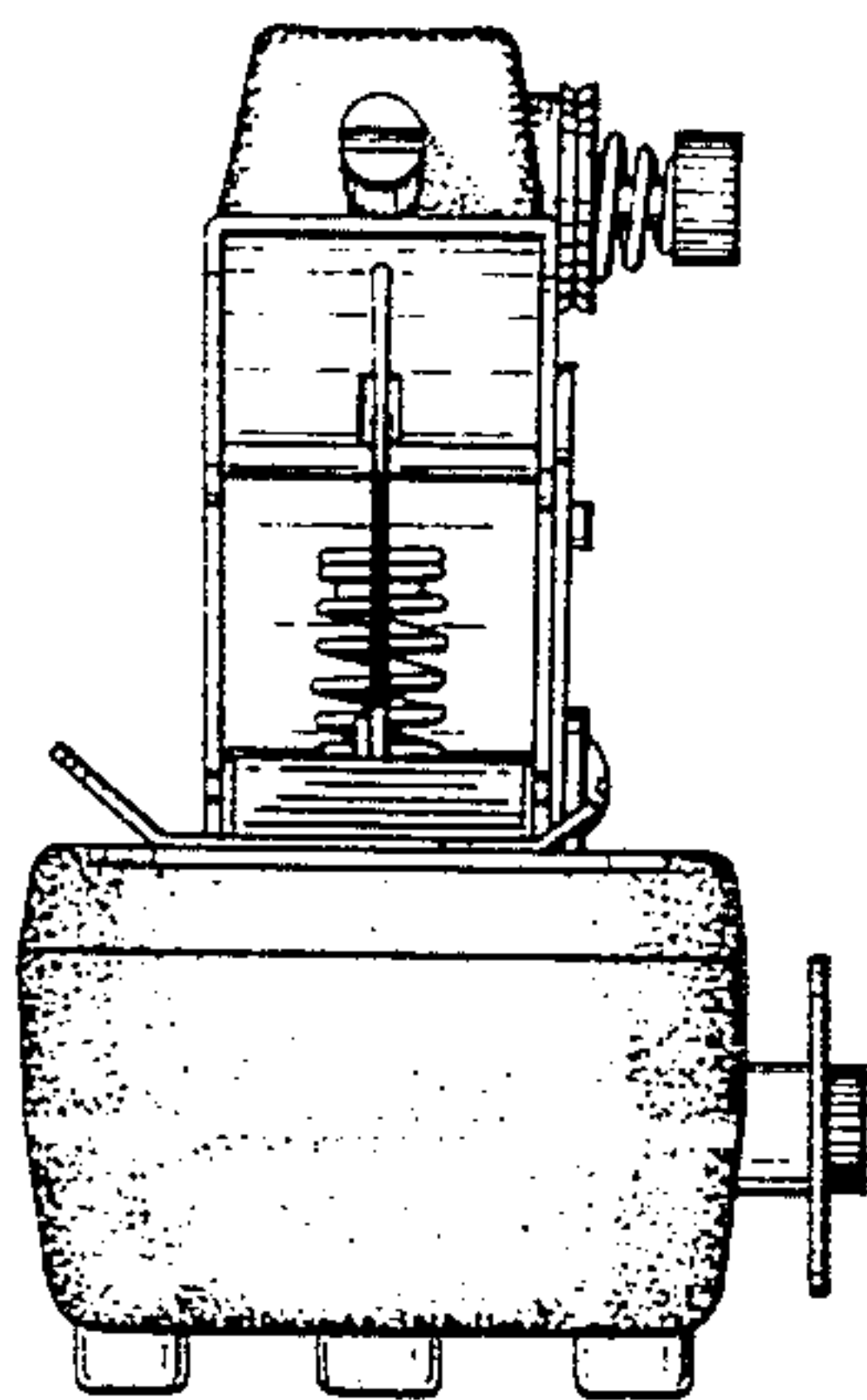


FIG. 8

