

[54] POWER UNIT FOR PAINT ROLLER

[75] Inventors: David C. Miller; Robert E. Dawson, both of Ridgefield; Thomas J. Pendleton, North Wilton; Jacob A. Krapowicz, Ridgefield, all of Conn.

[73] Assignee: Wagner Spray Tech Corporation, Minneapolis, Minn.

[**] Term: 14 Years

[21] Appl. No.: 522,967

[22] Filed: Aug. 15, 1983

[52] U.S. Cl. D15/7; D13/2

[58] Field of Search D15/7; D13/2, 3; 415/234

[56] References Cited

U.S. PATENT DOCUMENTS

D. 111,289	9/1938	Mowry	D15/7
D. 120,537	5/1940	Beckett	D15/7
D. 130,609	12/1941	Bowen	D15/7
D. 174,797	5/1955	Cawood	D13/2

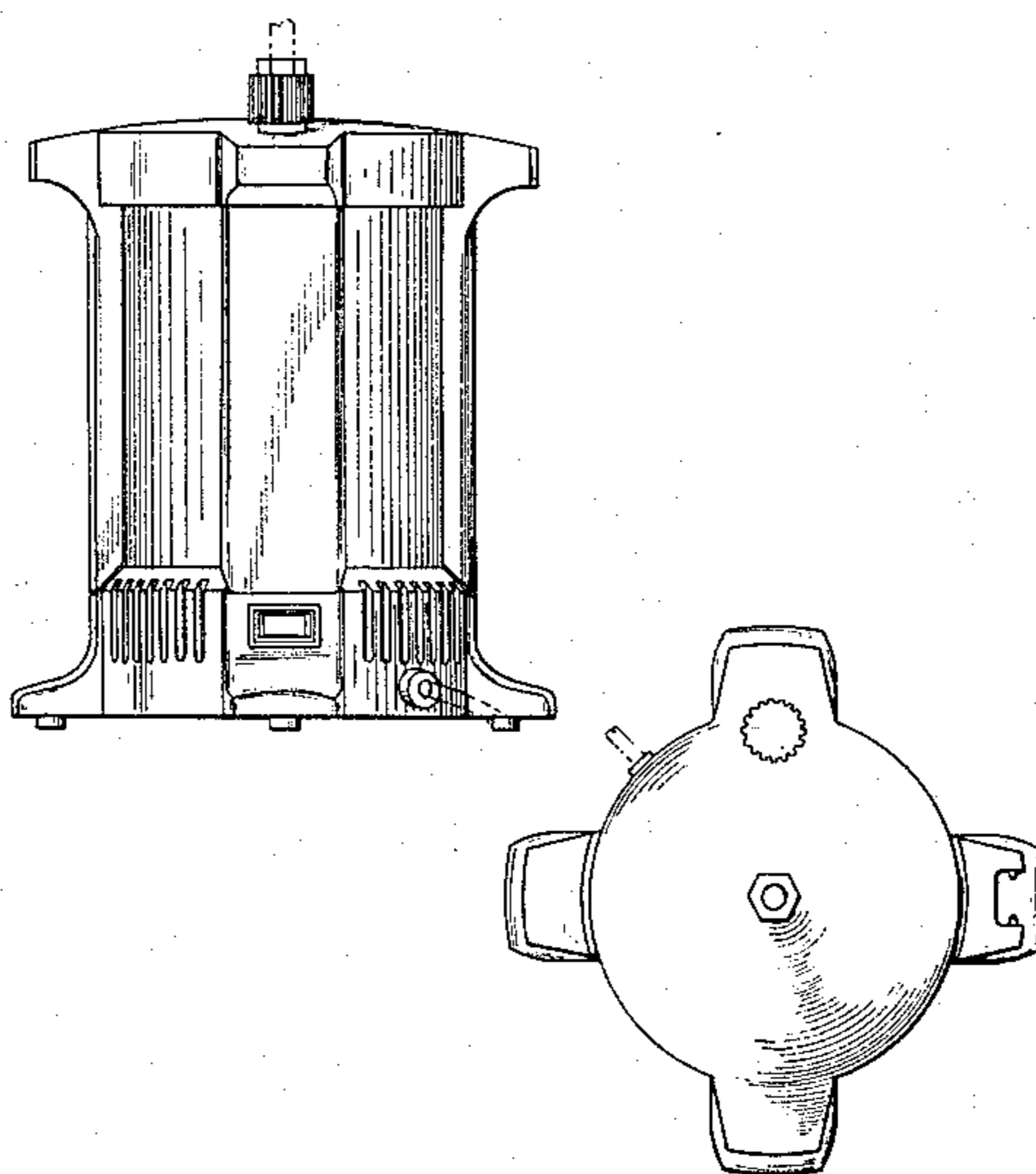
Primary Examiner—Wallace R. Burke
Assistant Examiner—Lynn Wilder
Attorney, Agent, or Firm—Hill, Van Santen, Steadman & Simpson

[57] CLAIM

The ornamental design for a power unit for paint roller, substantially as shown.

DESCRIPTION

FIG. 1 is a side elevational view of a power unit for paint roller showing our new design; FIG. 2 is a top plan view thereof; FIG. 3 is a side elevational view thereof shown from the side opposite FIG. 1; FIG. 4 is a side elevational view thereof shown from the right side of FIG. 1; FIG. 5 is a bottom plan view thereof; FIG. 6 is a side elevational view thereof shown from the right side of FIG. 1. The broken line fragmentary showing of a hose and cord in most views is for illustrative purposes only and forms no part of the claimed design.



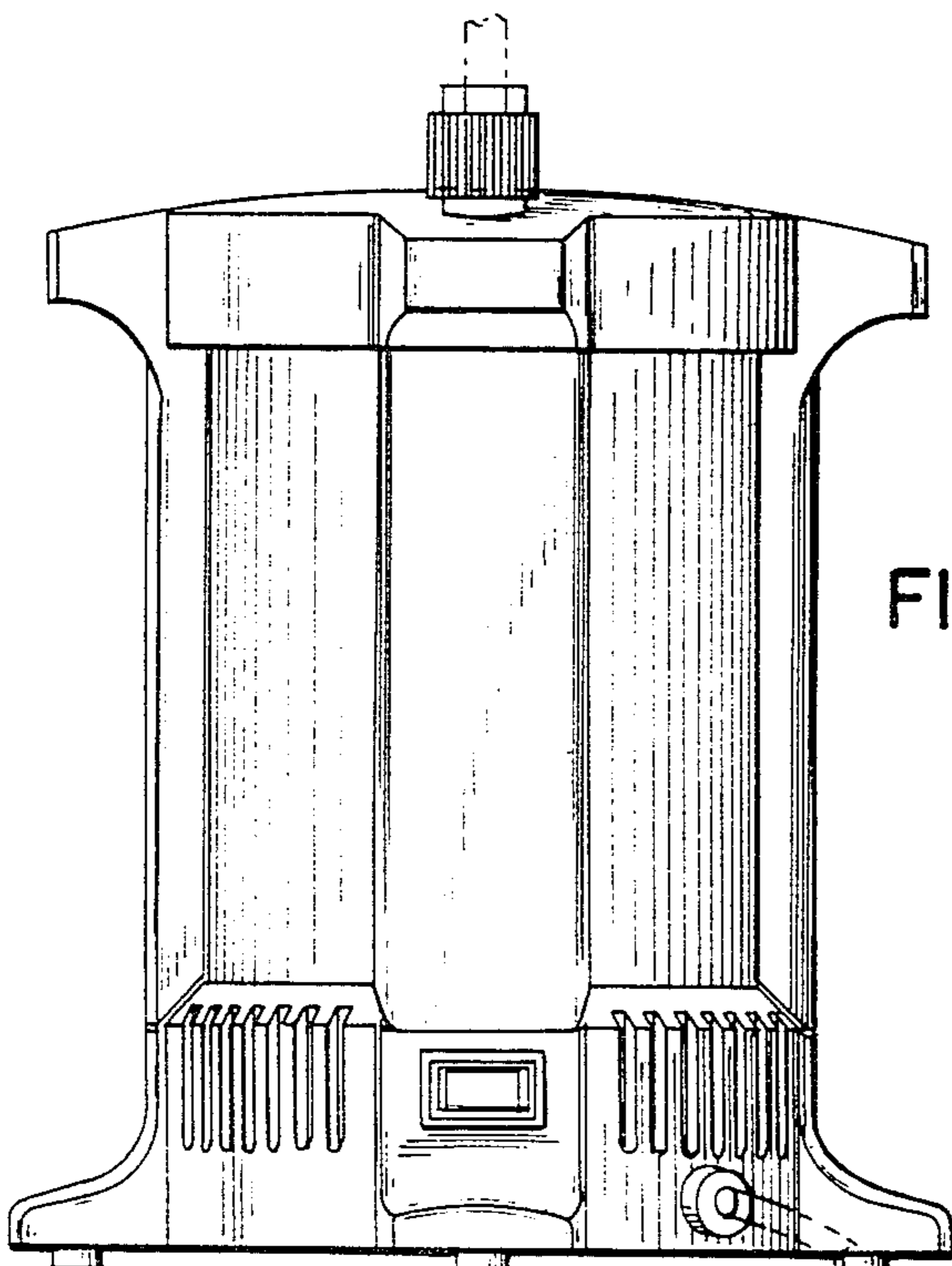


FIG. 1

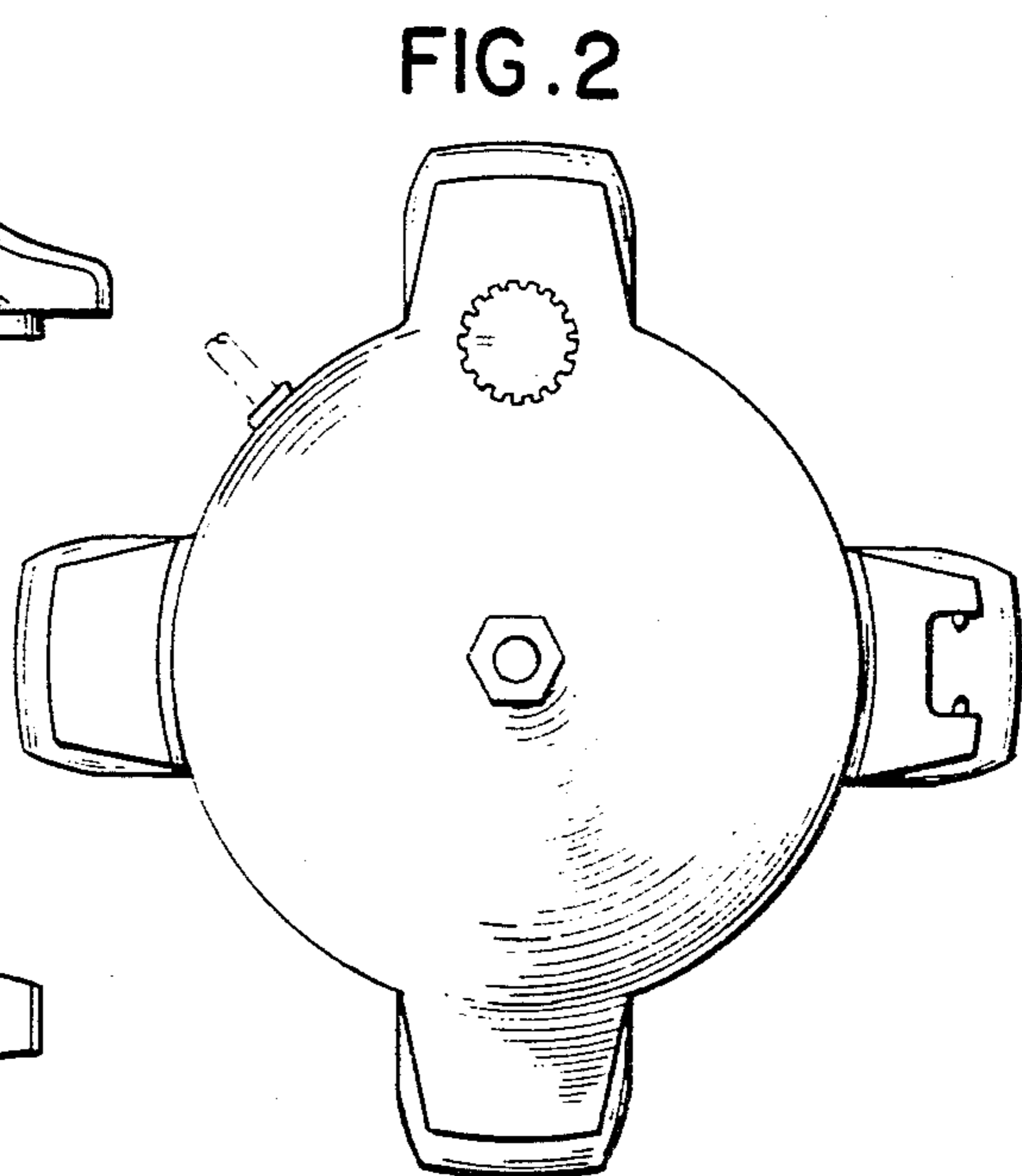


FIG. 2

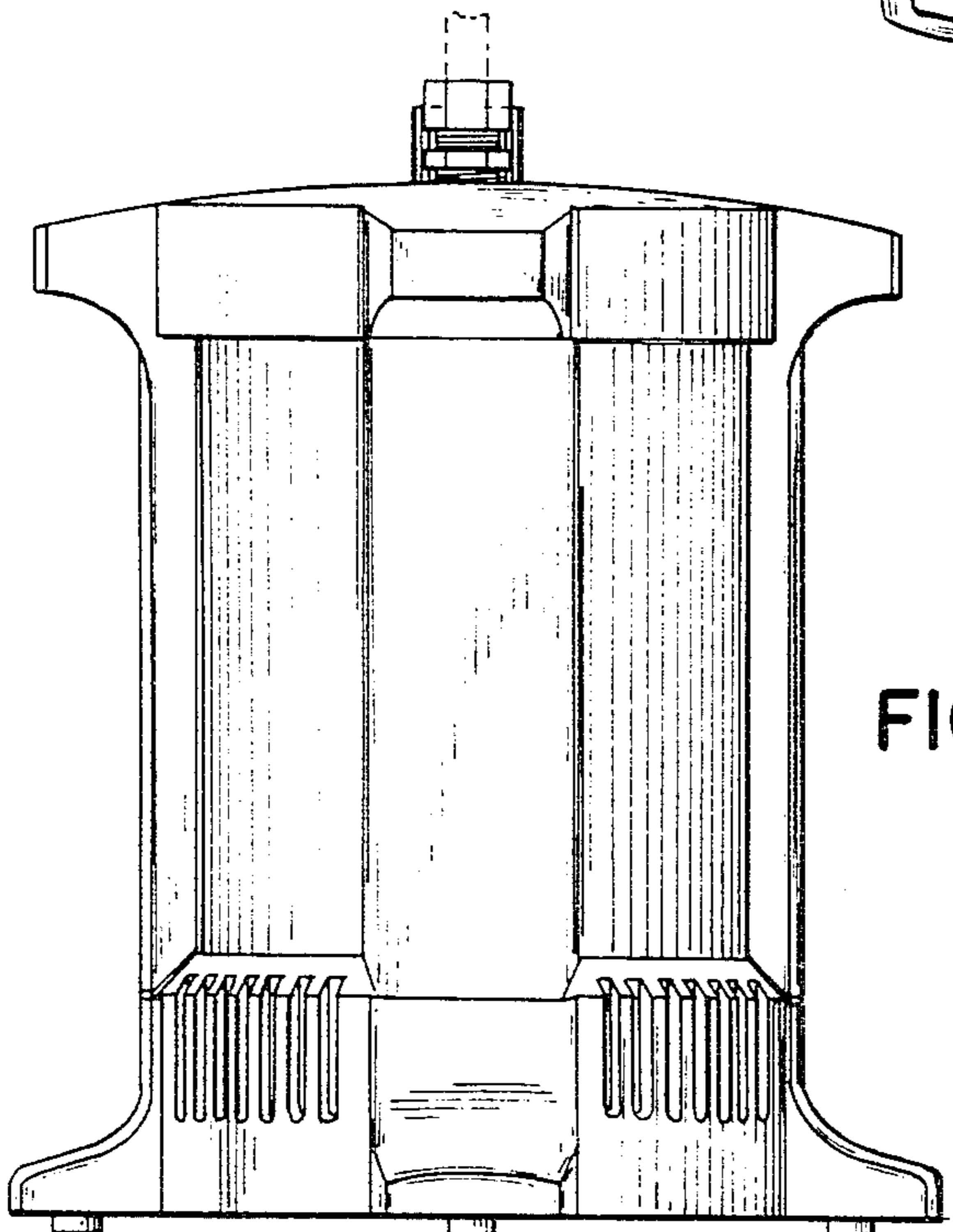


FIG. 3

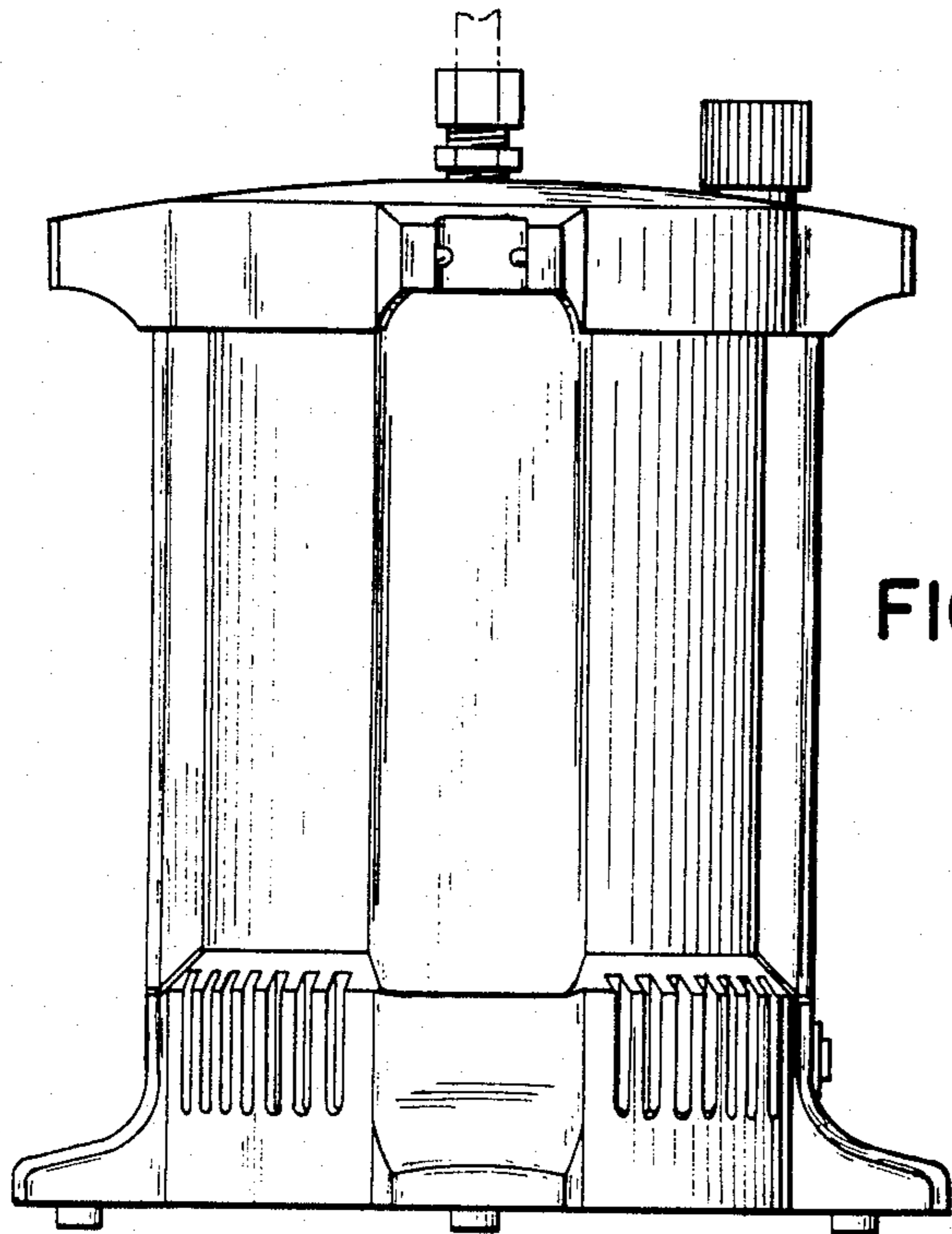


FIG. 4

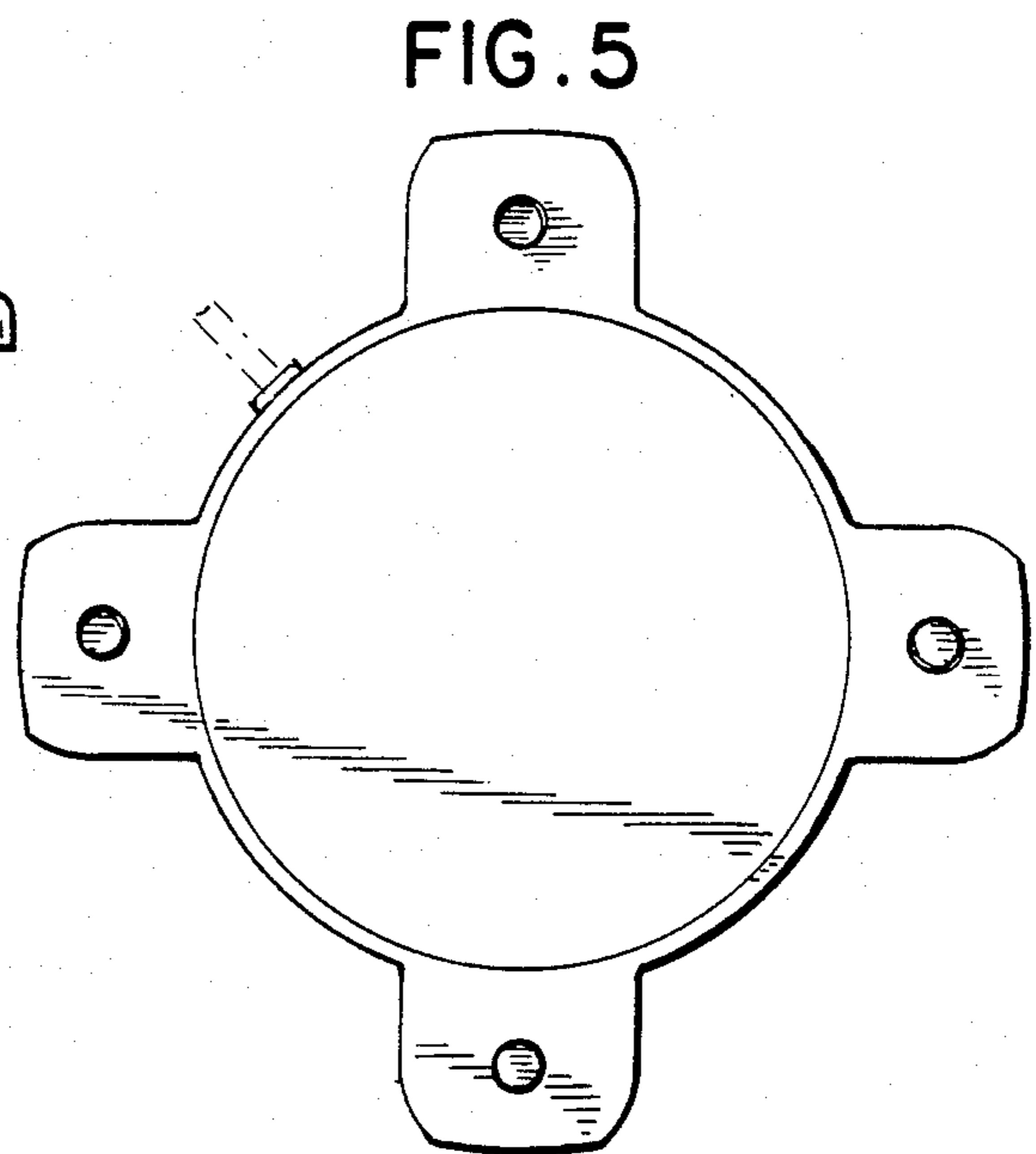


FIG. 5

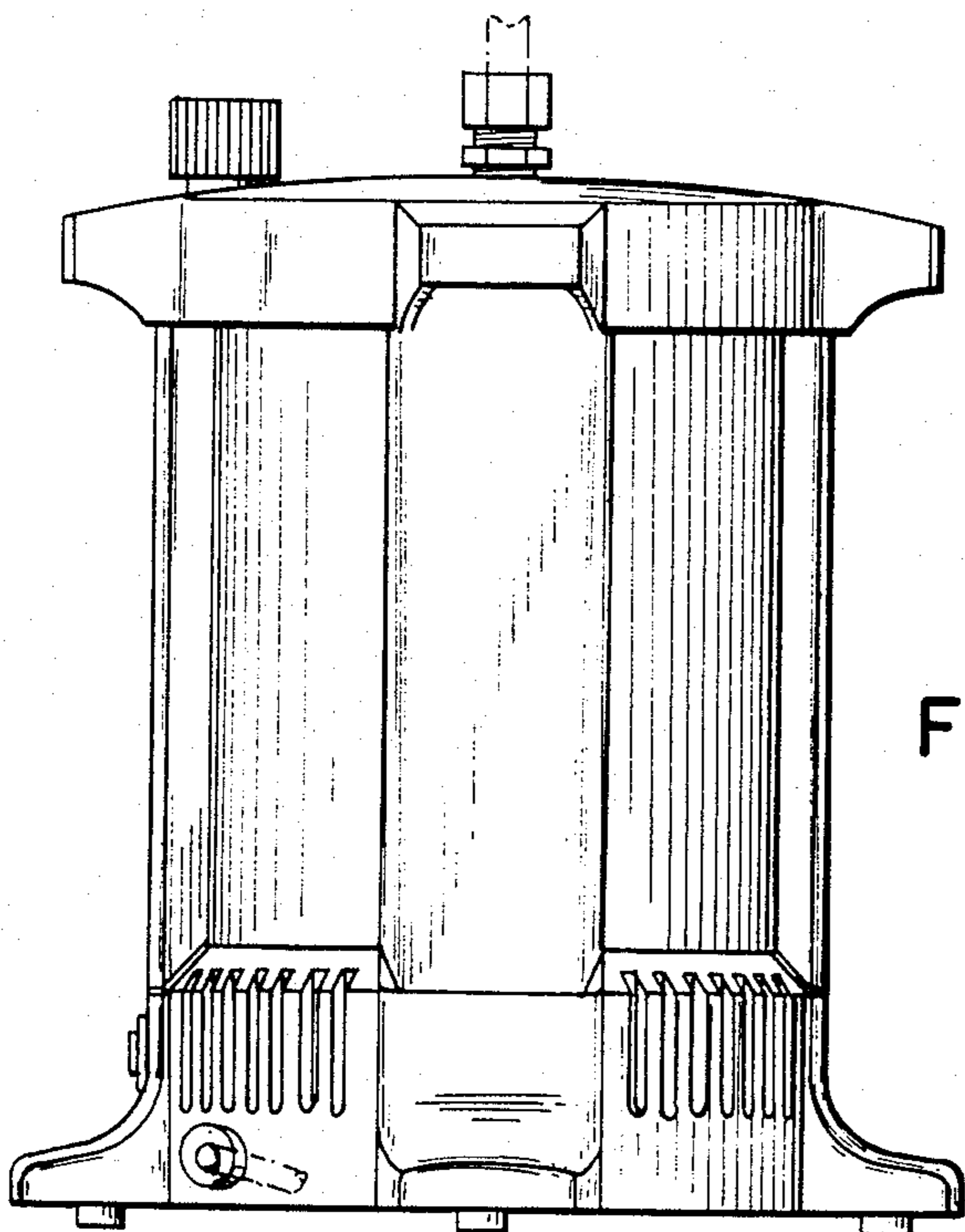


FIG. 6