

[54] CLOSED-CIRCUIT TELEVISION SYSTEM ENCLOSURE

[76] Inventor: Joseph H. Claggett, 1017 E. 4th Ave., Mitchell, S. Dak. 57301

[**] Term: 14 Years

[21] Appl. No.: 527,815

[22] Filed: Aug. 30, 1983

[52] U.S. Cl. D14/77; D14/79

[58] Field of Search D14/77, 79, 84; 358/108; D19/59

[56] References Cited

U.S. PATENT DOCUMENTS

- D. 255,447 6/1980 Dahlström D14/77 X
- D. 273,012 3/1984 Kozloski D14/77 X

OTHER PUBLICATIONS

Lapine Scientific Co., Chicago, Ill., Catalog ©1962, p. 12, Item #2-9194.

IBM Technical Disclosure Bulletin, vol. 23, #3, 8-80, p. 902, Diagram, "TV Sub-System".

Primary Examiner—Jane E. Corrigan

[57] CLAIM

The ornamental design for a closed-circuit television system enclosure, as shown.

DESCRIPTION

FIG. 1 is a front, bottom and left side perspective view of a closed-circuit television system enclosure showing my new design;

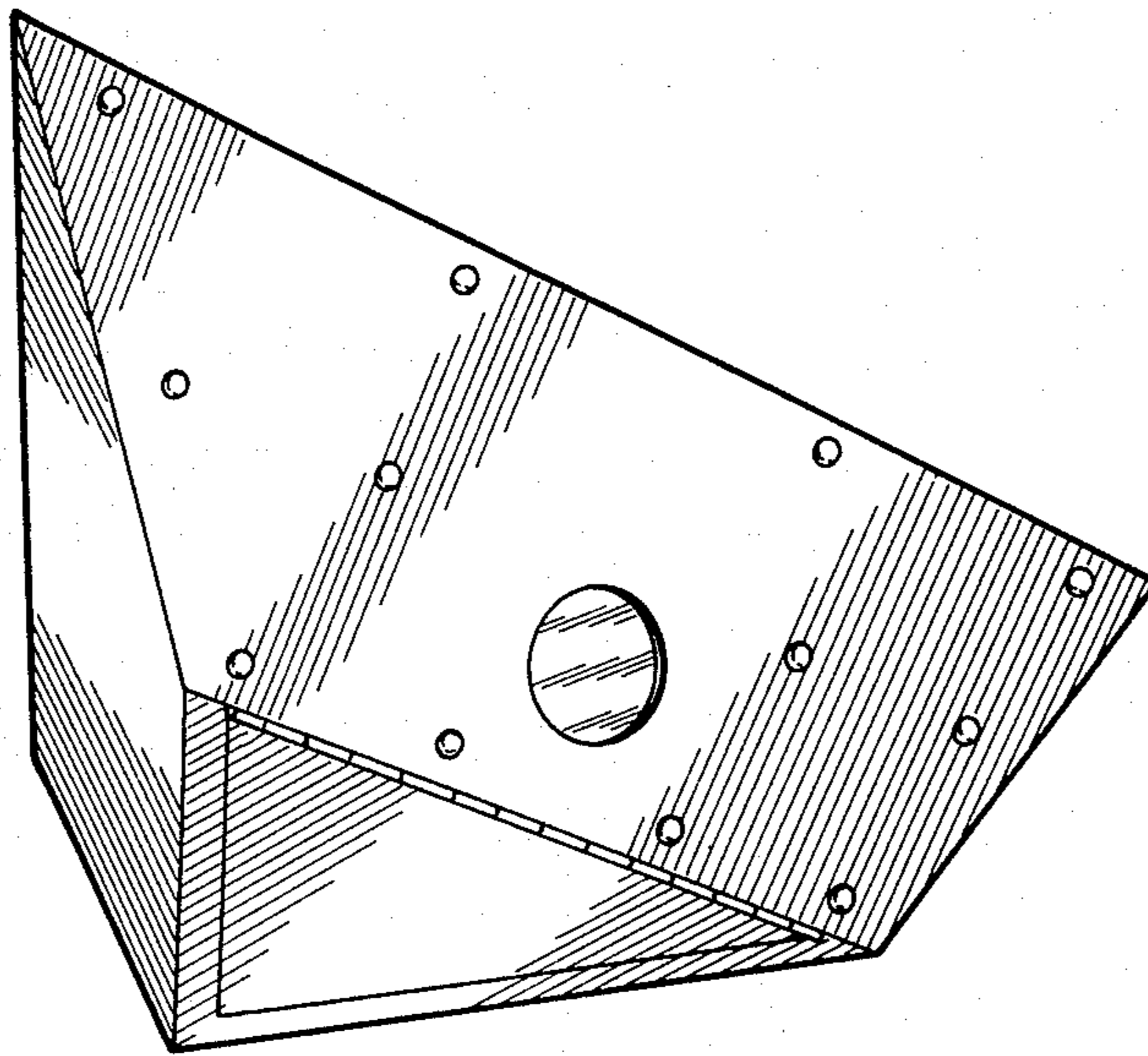
FIG. 2 is a top plan view;

FIG. 3 is a front elevational view;

FIG. 4 is a bottom plan view;

FIG. 5 is a left side elevational view; and

FIG. 6 is a rear elevational view.



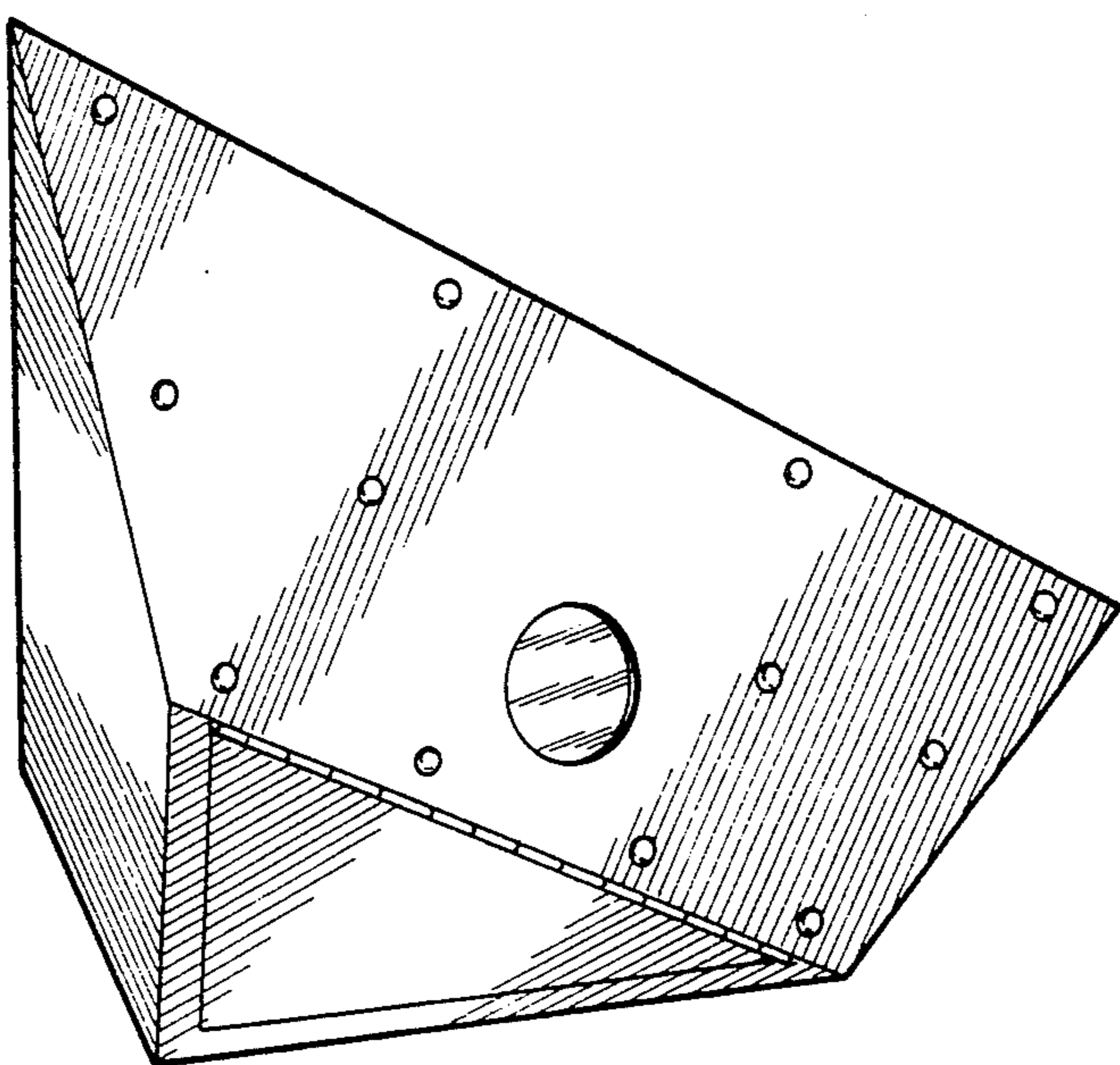


FIG. 1

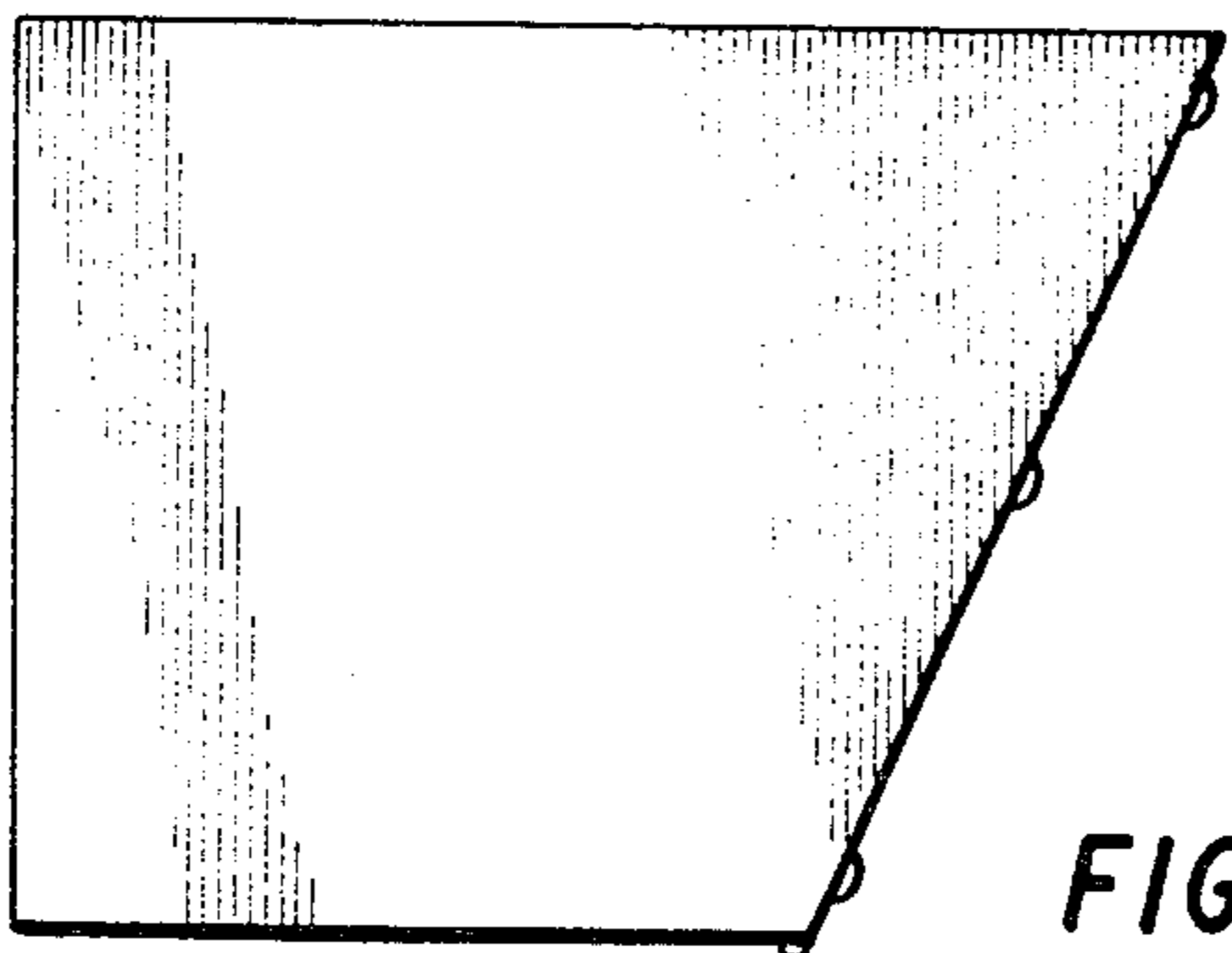


FIG. 5

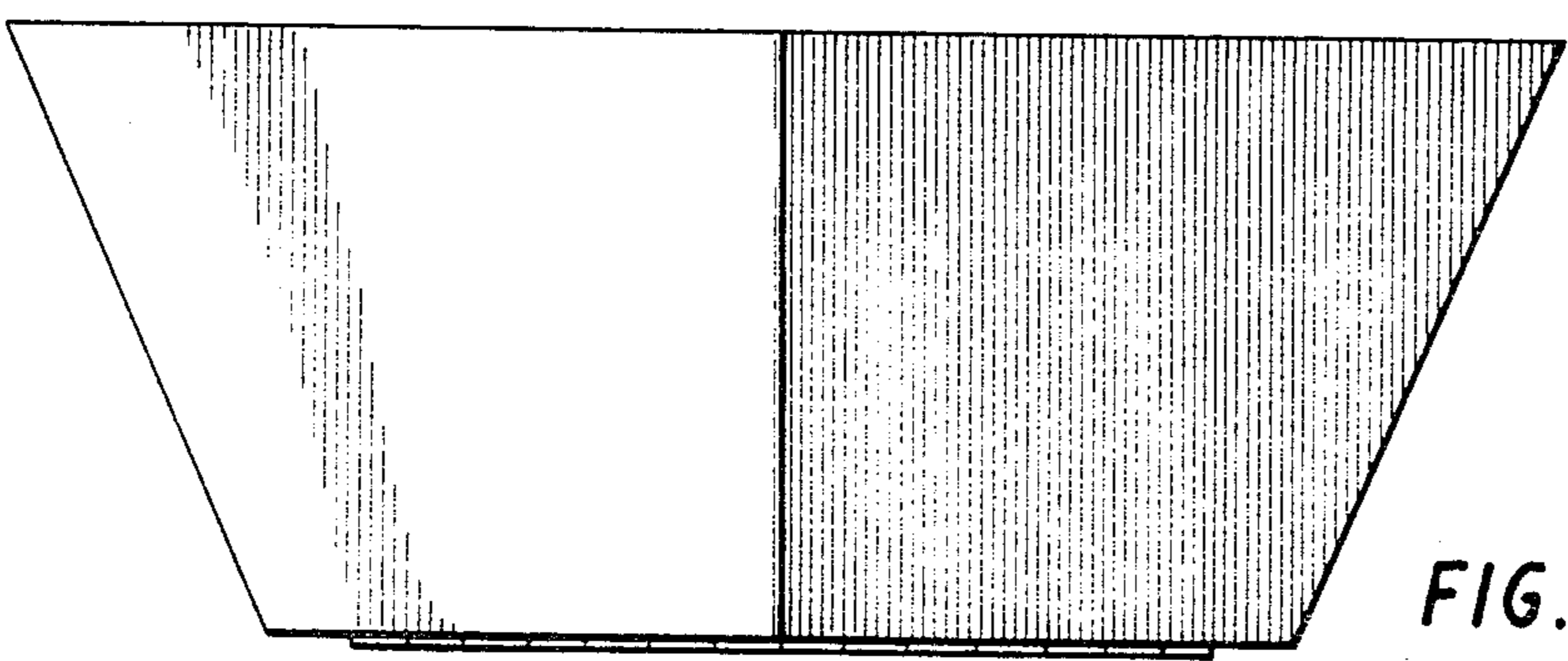


FIG. 6

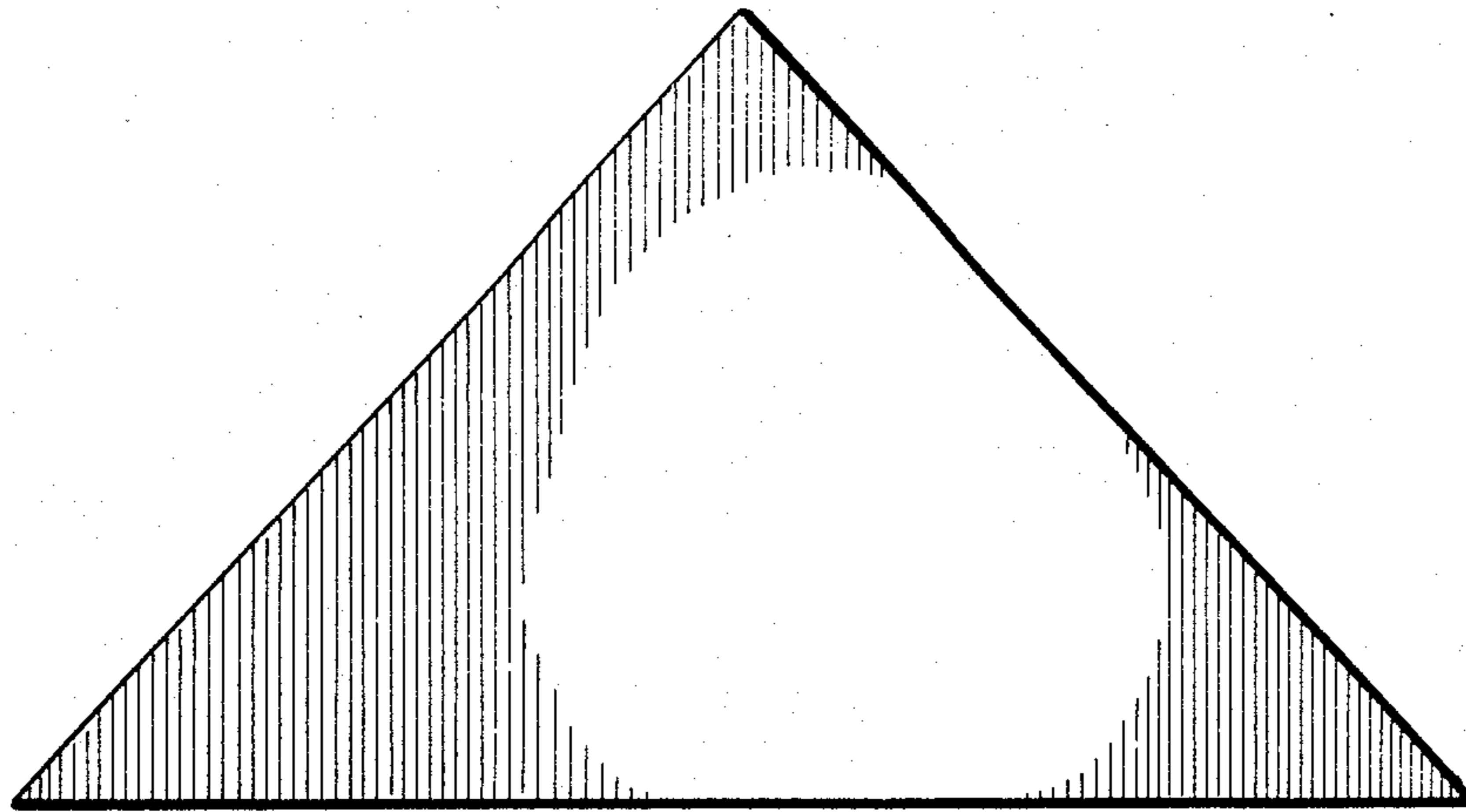


FIG. 2

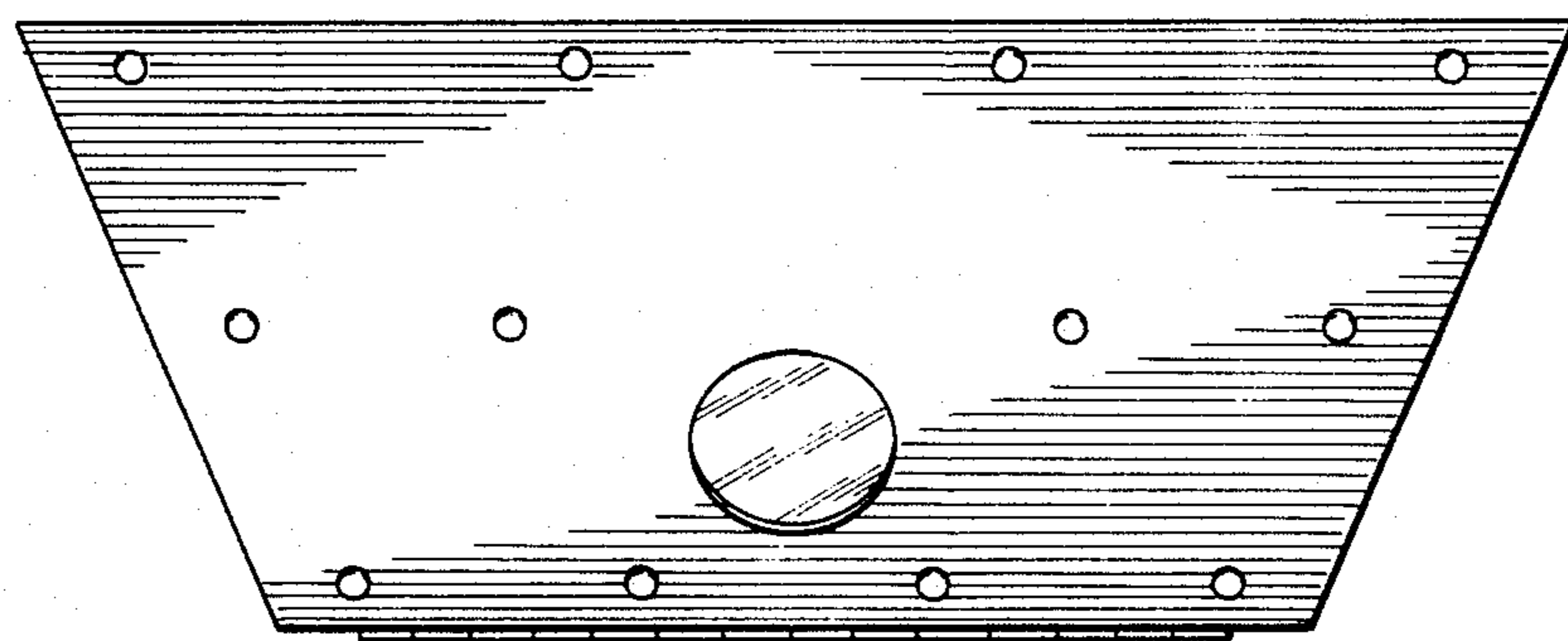


FIG. 3

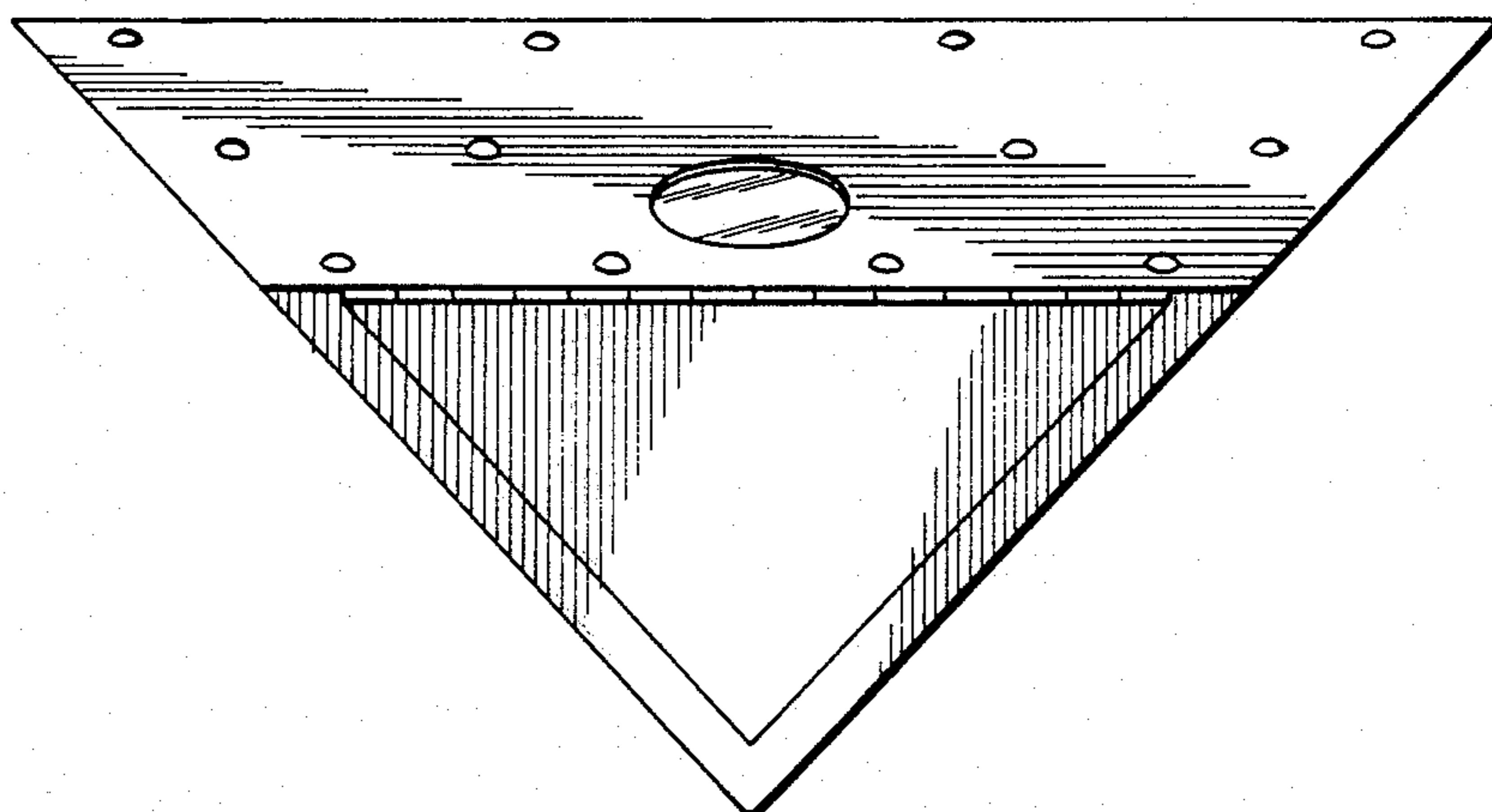


FIG. 4