

[54] LOUDSPEAKER BASKET

[75] Inventor: William D. Piercy, Franklin Park, Ill.

[73] Assignee: TRU-DIE, Inc., Franklin Park, Ill.

[\*\*] Term: 14 Years

[21] Appl. No.: 542,586

[22] Filed: Oct. 17, 1983

[52] U.S. Cl. .... D14/37; D14/30; D14/34

[58] Field of Search ..... D14/30, 33, 34, 37; 179/179, 146 R; 181/171

[56] References Cited

U.S. PATENT DOCUMENTS

D. 278,811	5/1985	White et al. ....	D14/34
3,356,796	12/1967	Wray .....	179/179 X

OTHER PUBLICATIONS

*High Fidelity's Buying Guide to Speaker Systems*, '77 Ed., p. 83, bottom left speaker basket.

Radio Shack Catalog #341, ©'81, p. 61, Tweeter #40-1289.

Technics Flyer for SB-L301/L201/L101, front cover, 2nd from top speaker on SB-L301.

*Primary Examiner*—Jane E. Corrigan

*Attorney, Agent, or Firm*—Thomas P. Dowd

[57] CLAIM

The ornamental design for loudspeaker basket, as shown and described.

DESCRIPTION

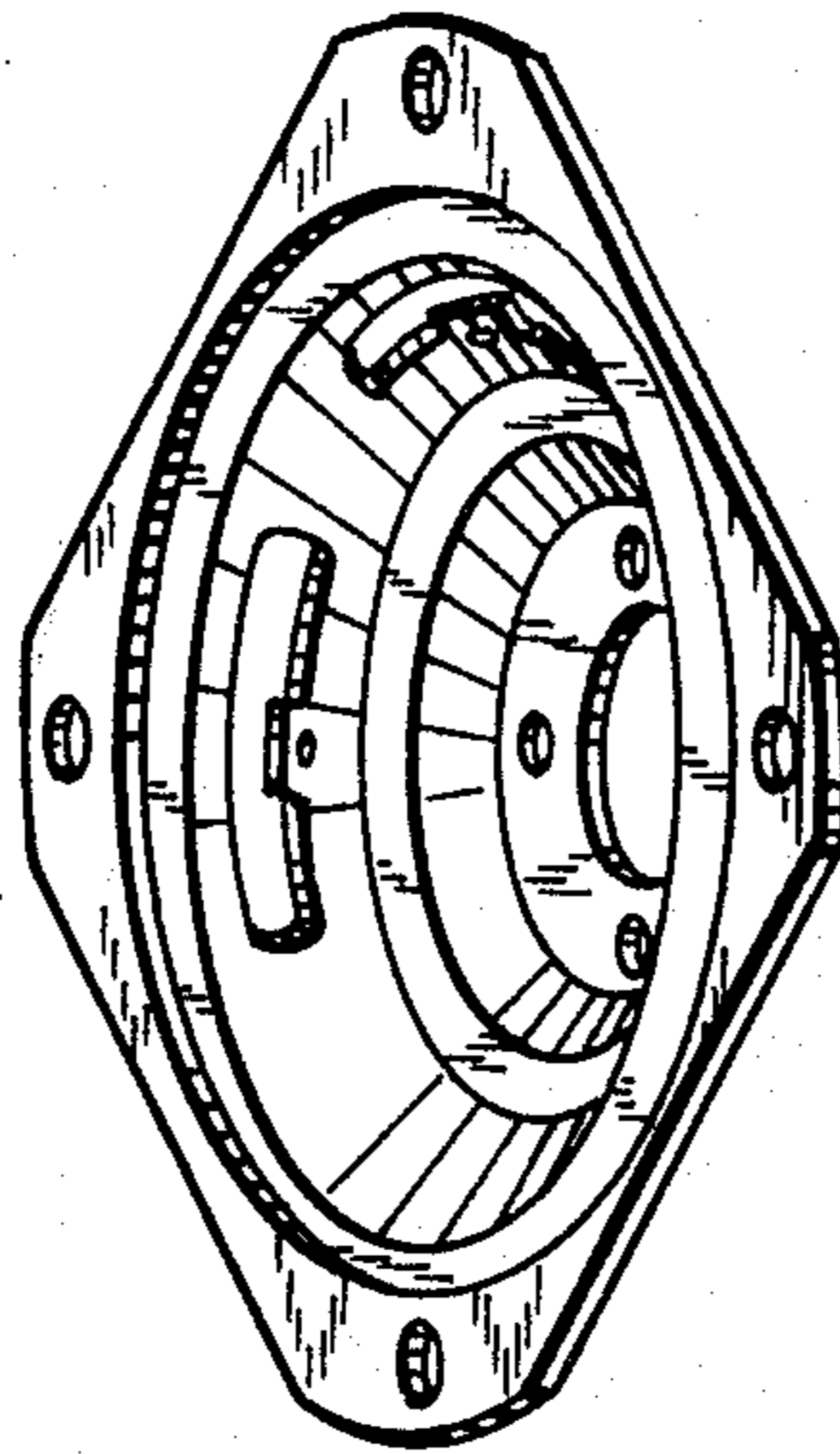
FIG. 1 is a front perspective view of a loudspeaker basket showing my new design;

FIG. 2 is a front elevational view thereof;

FIG. 3 is a rear elevational view thereof;

FIG. 4 is a plan view thereof;

FIG. 5 is a sectional view thereof taken along line 5—5 in FIG. 4.



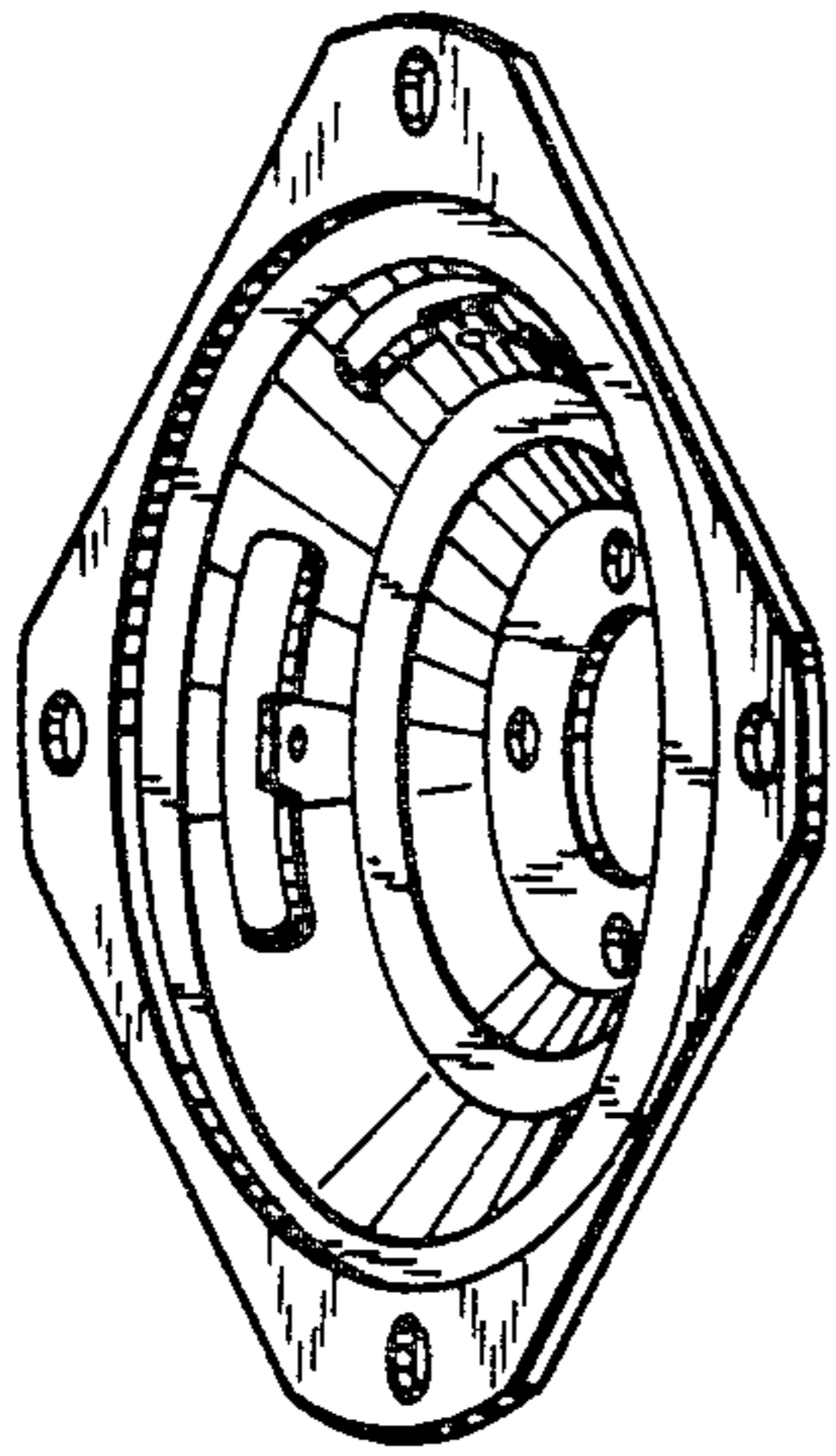


FIG. 1

FIG. 2

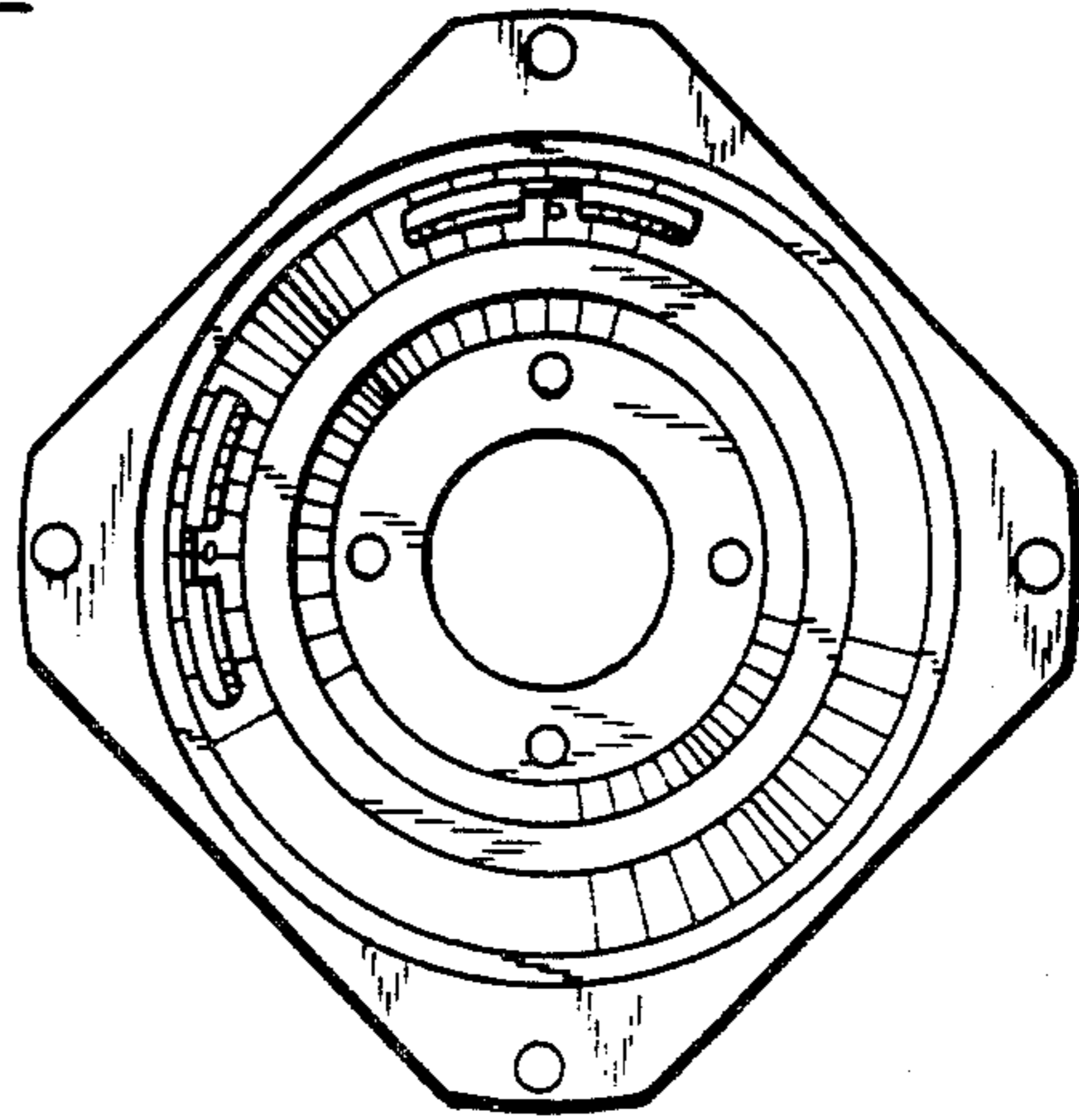


FIG. 3

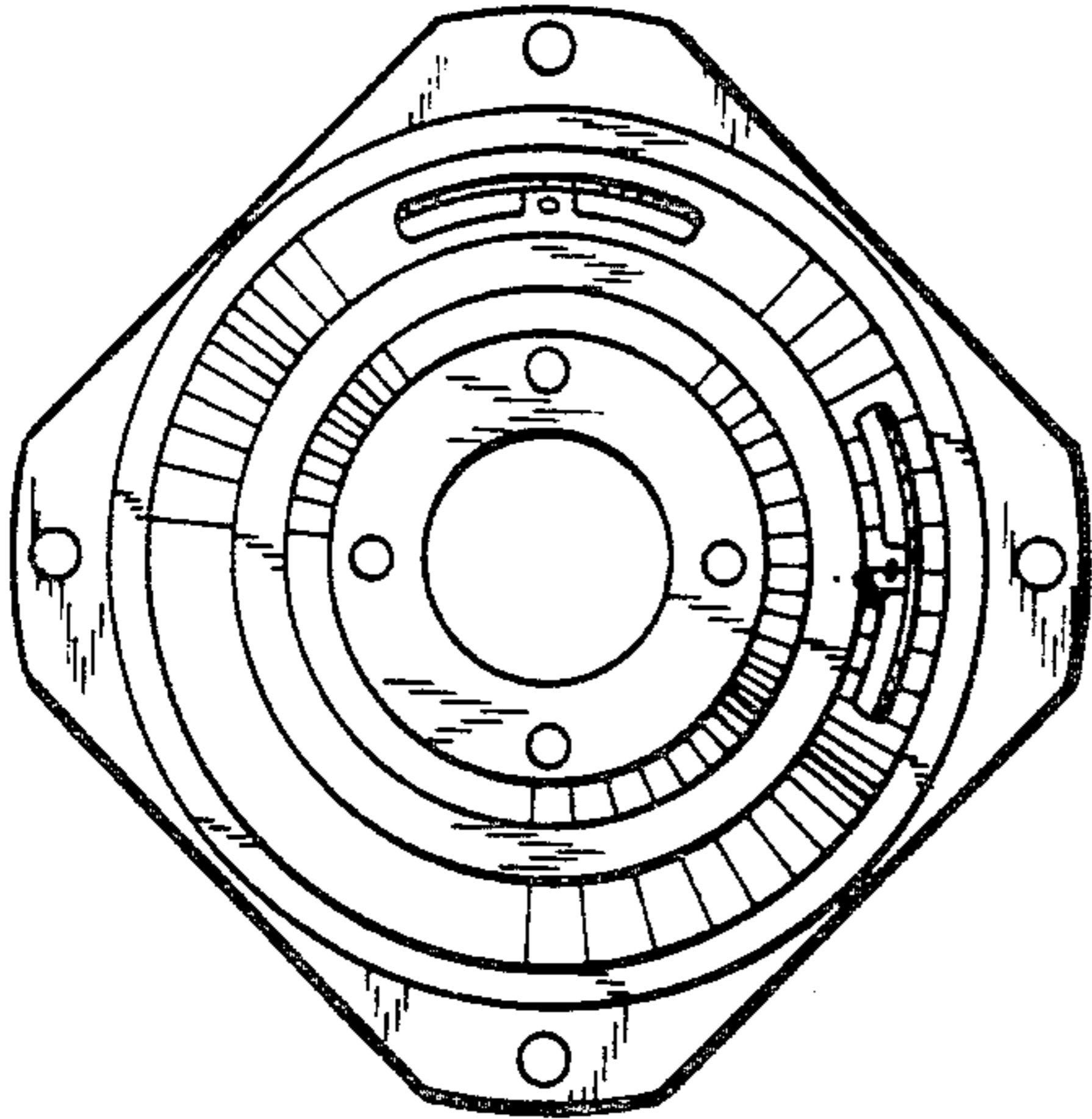


FIG. 4

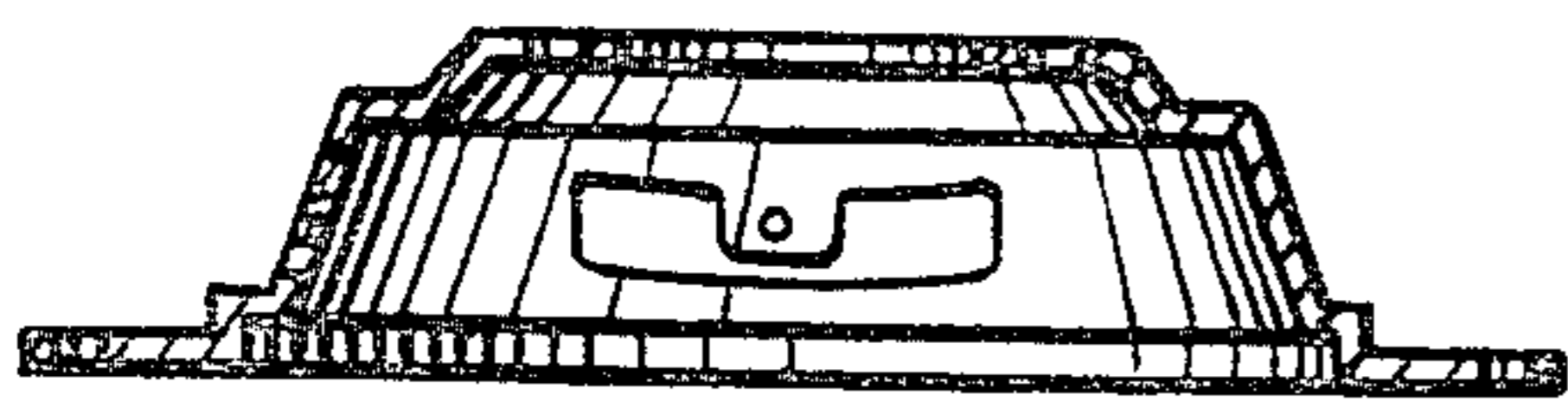
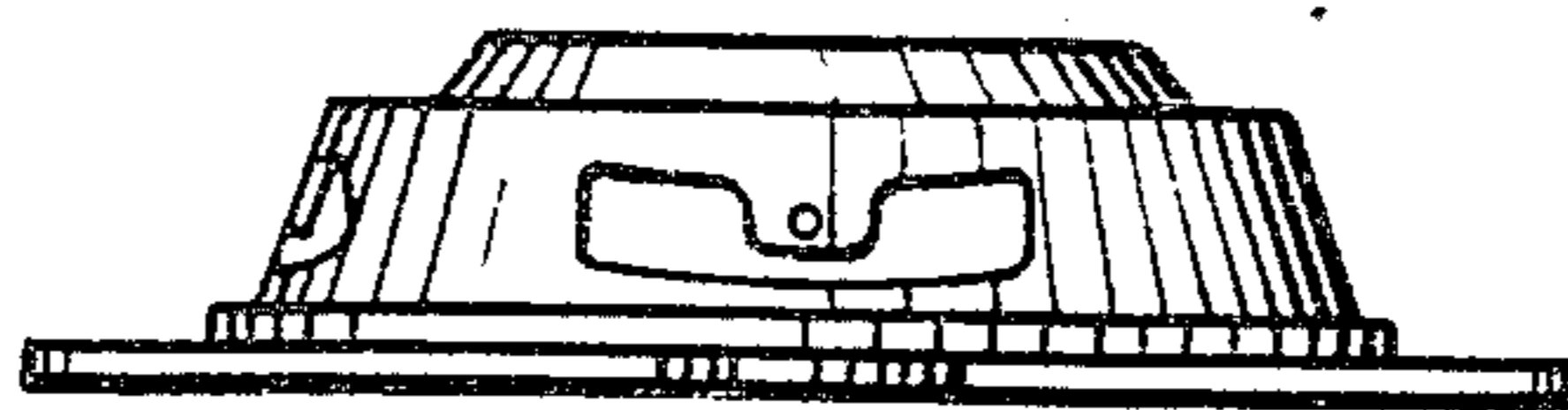
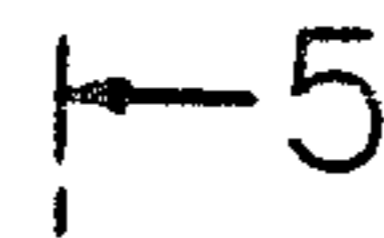


FIG. 5