

[54] MICROPHONE

[75] Inventor: Alan R. Watson, Niles, Mich.

[73] Assignee: Electro-Voice, Incorporated,  
Buchanan, Mich.

[\*\*] Term: 14 Years

[21] Appl. No.: 522,785

[22] Filed: Aug. 12, 1983

[52] U.S. Cl. .... D14/12

[58] Field of Search ..... D14/12; 179/121 D, 179,  
179/187

[56] References Cited

U.S. PATENT DOCUMENTS

- D. 163,477 5/1951 Pike ..... D14/12
- D. 212,362 10/1968 Noyes ..... D14/12
- D. 277,852 3/1985 Watson ..... D14/12

OTHER PUBLICATIONS

Grossman Music Corp., Cleveland, Ohio, Cat. 68,

©'67, p. 470, Model 578, & p. 471, Models S95DE, 95D.

AKG Microphones Cat., middle right page, Model D-160E.

Primary Examiner—Jane E. Corrigan  
Attorney, Agent, or Firm—Burmeister, York, Palmatier,  
Hamby & Jones

[57] CLAIM

The ornamental design for a microphone, as shown and described.

DESCRIPTION

FIG. 1 is a rear, top and left side perspective view of a microphone showing my new design;

FIG. 2 is a top plan view;

FIG. 3 is a bottom plan view;

FIG. 4 is a left side elevational view; and

FIG. 5 is a sectional view taken along line 5—5 in FIG. 2.

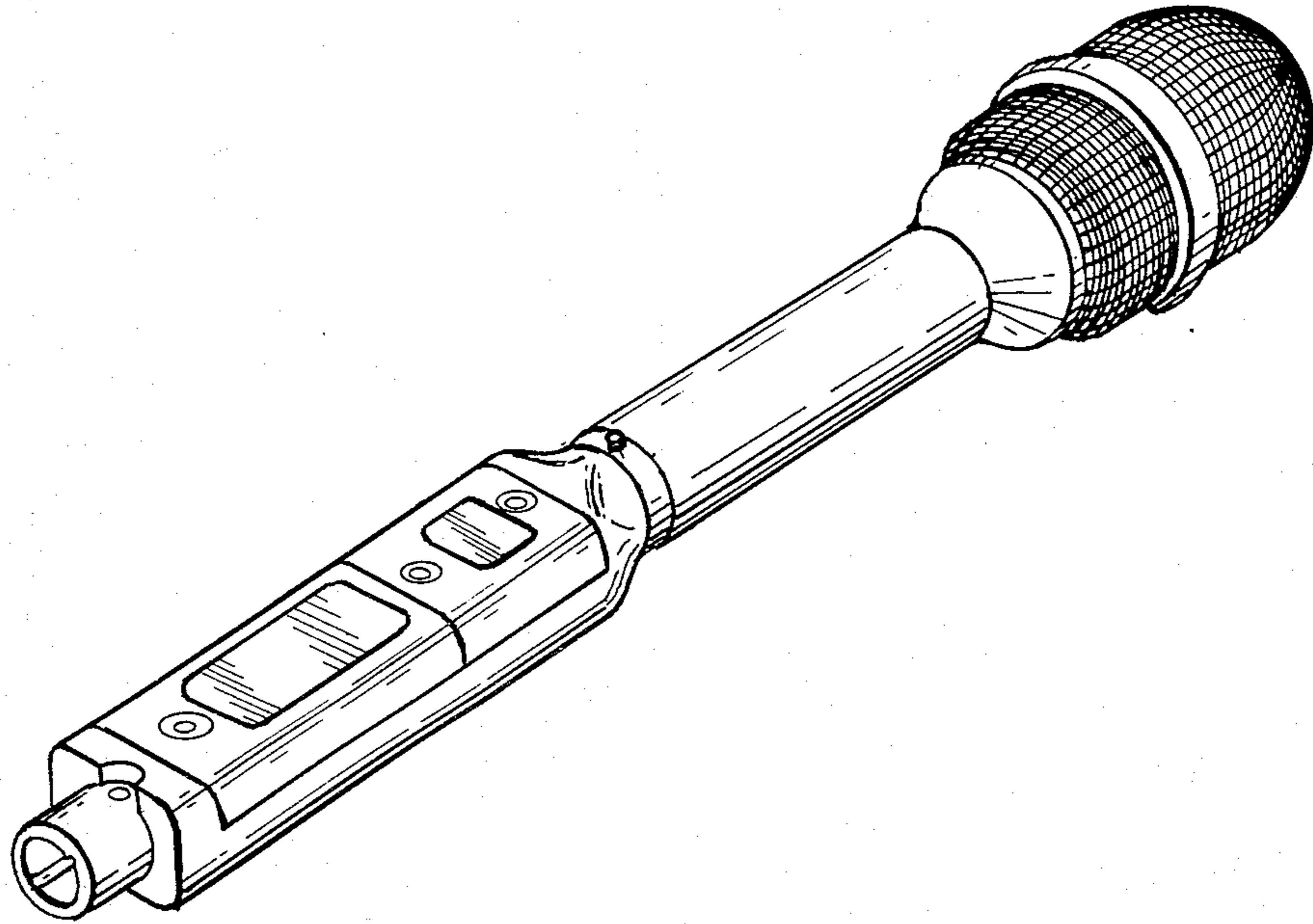


FIG. 1

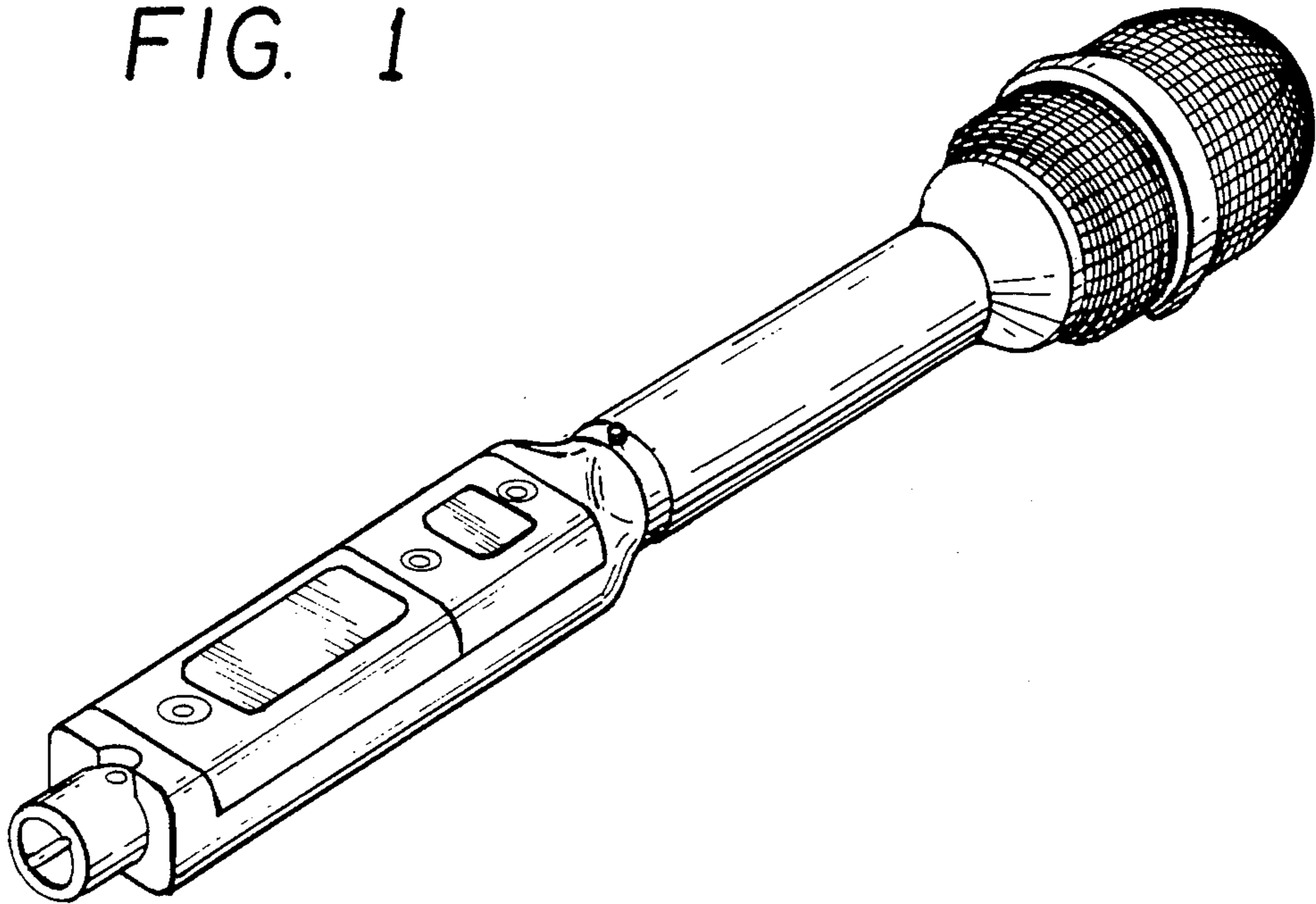


FIG. 5

