

[54] **FLUORESCENT LAMP ADAPTER**

[75] **Inventor: John H. Cummings, Santa Ana, Calif.**

[73] **Assignee: Luma Lighting Industries, Inc., Santa Ana, Calif.**

[\*\*] **Term: 14 Years**

[21] **Appl. No.: 519,408**

[22] **Filed: Aug. 1, 1983**

[52] **U.S. Cl. .... D13/25; D26/3; D26/26**

[58] **Field of Search .... D26/1, 2, 3, 26; D13/25; 313/318, 493; 315/48, 53, 56, 57, 58, 62, 63**

[56] **References Cited**

**U.S. PATENT DOCUMENTS**

4,337,414 6/1982 Young ..... D26/3 X  
4,347,460 8/1982 Latassa et al. .... 315/63

*Primary Examiner*—Susan J. Lucas  
*Attorney, Agent, or Firm*—Gausewitz, Carr & Rothenberg

[57] **CLAIM**

The ornamental design for a fluorescent lamp adapter, substantially as shown and described.

**DESCRIPTION**

FIG. 1 is a front, top, and right side perspective view of a fluorescent lamp adapter showing my new design; FIG. 2 is a left side elevational view; FIG. 3 is a front elevational view; FIG. 4 is a rear elevational view; and FIG. 5 is a bottom plan view.

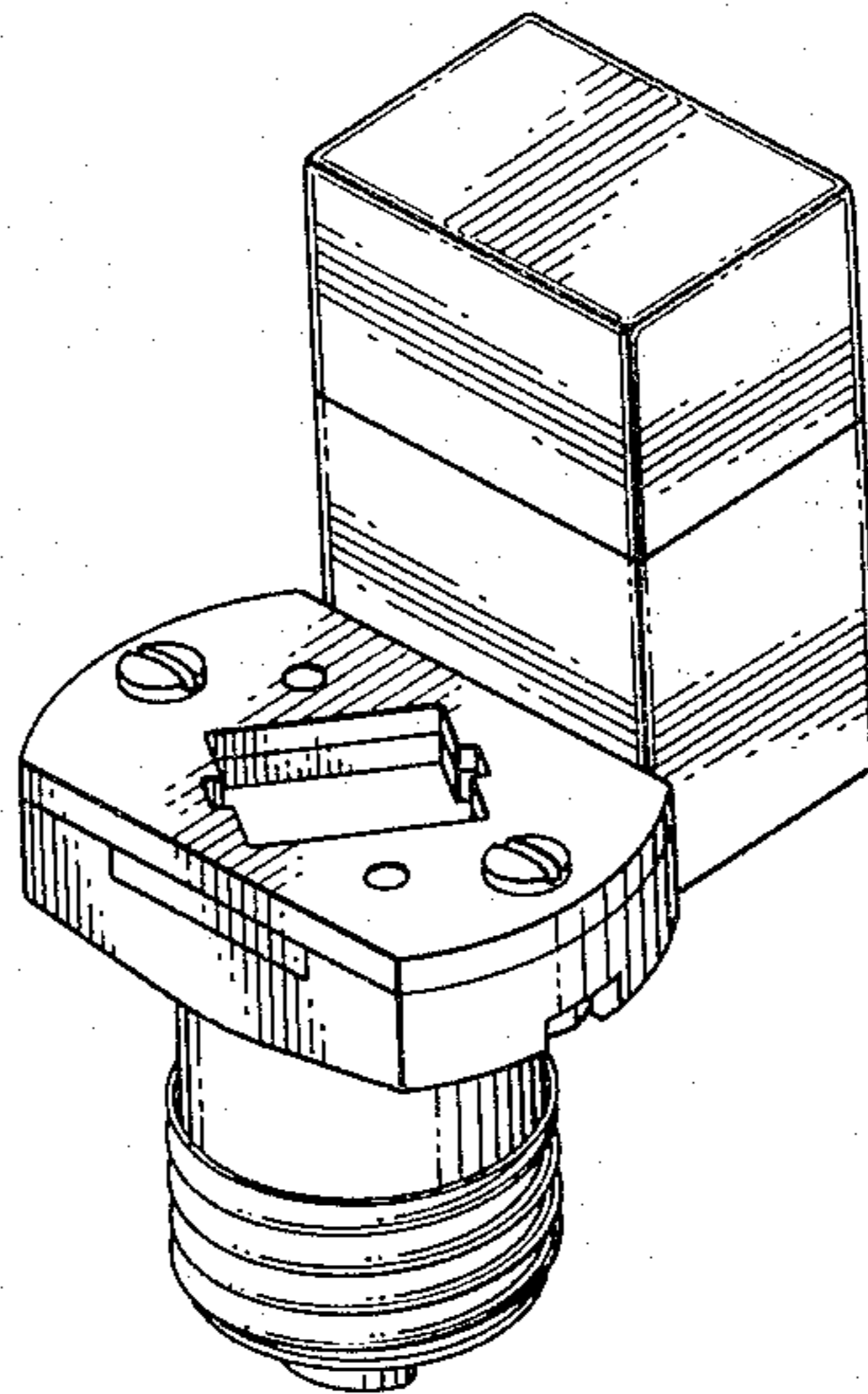


FIG. 1.

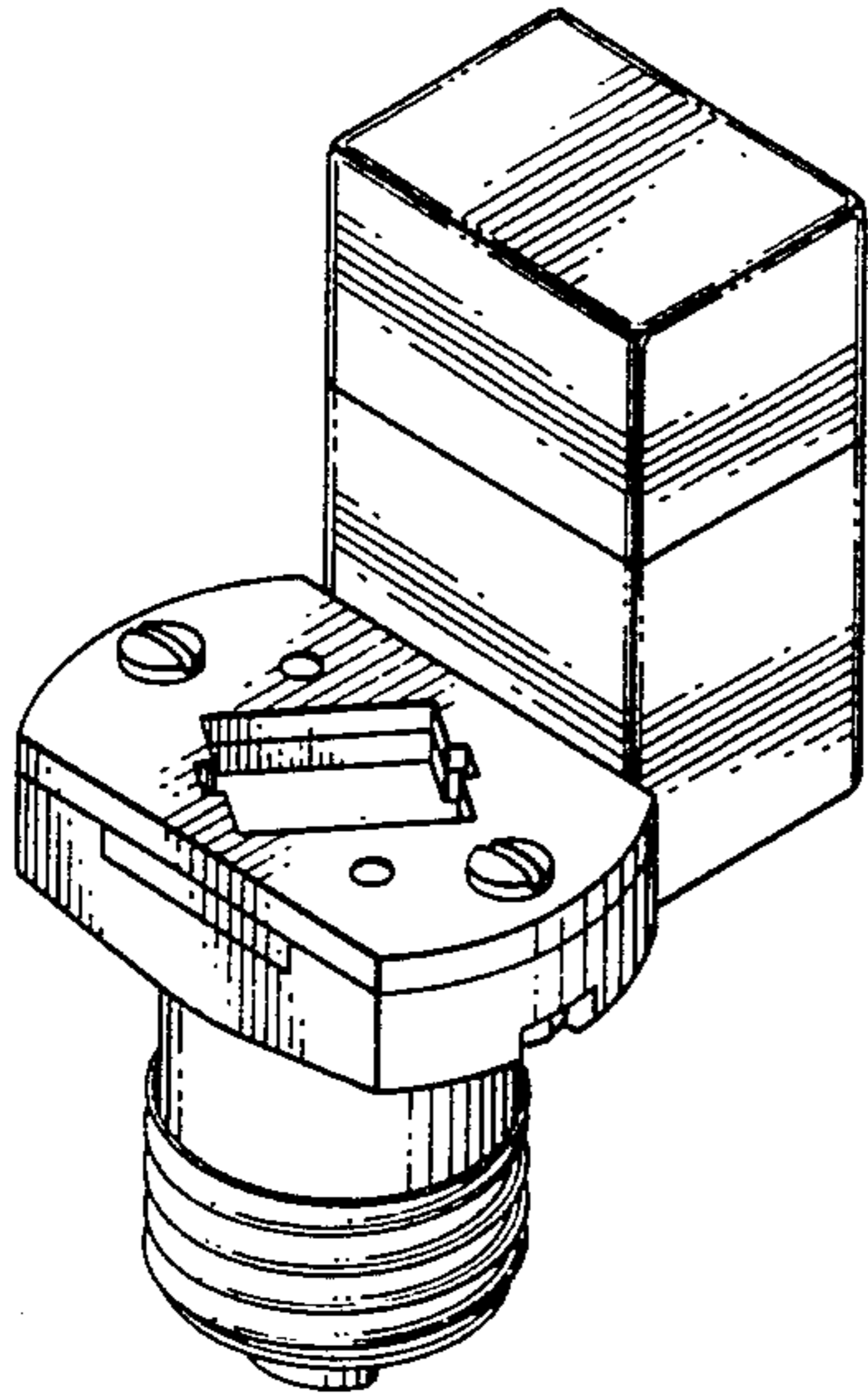


FIG. 2.

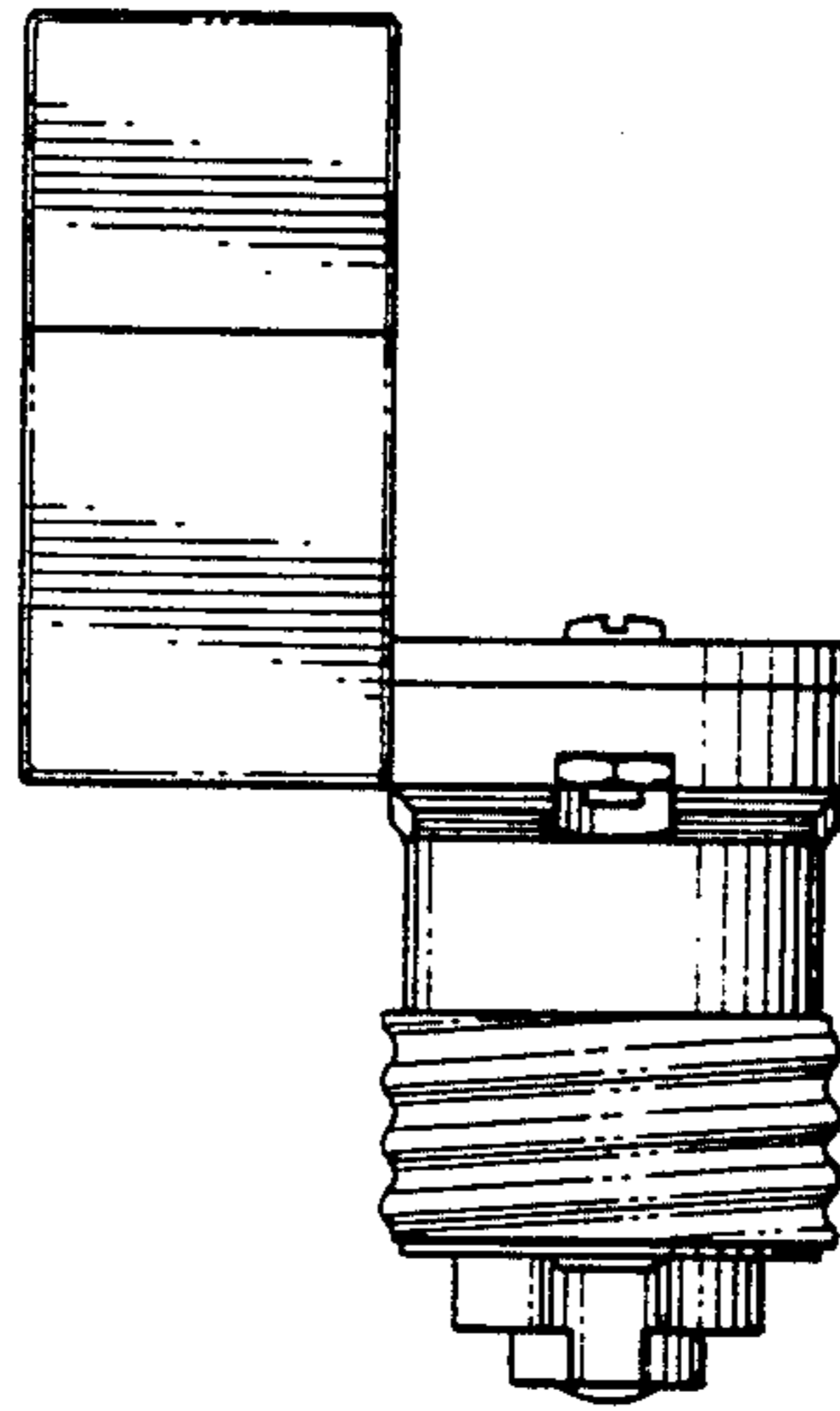


FIG. 3.

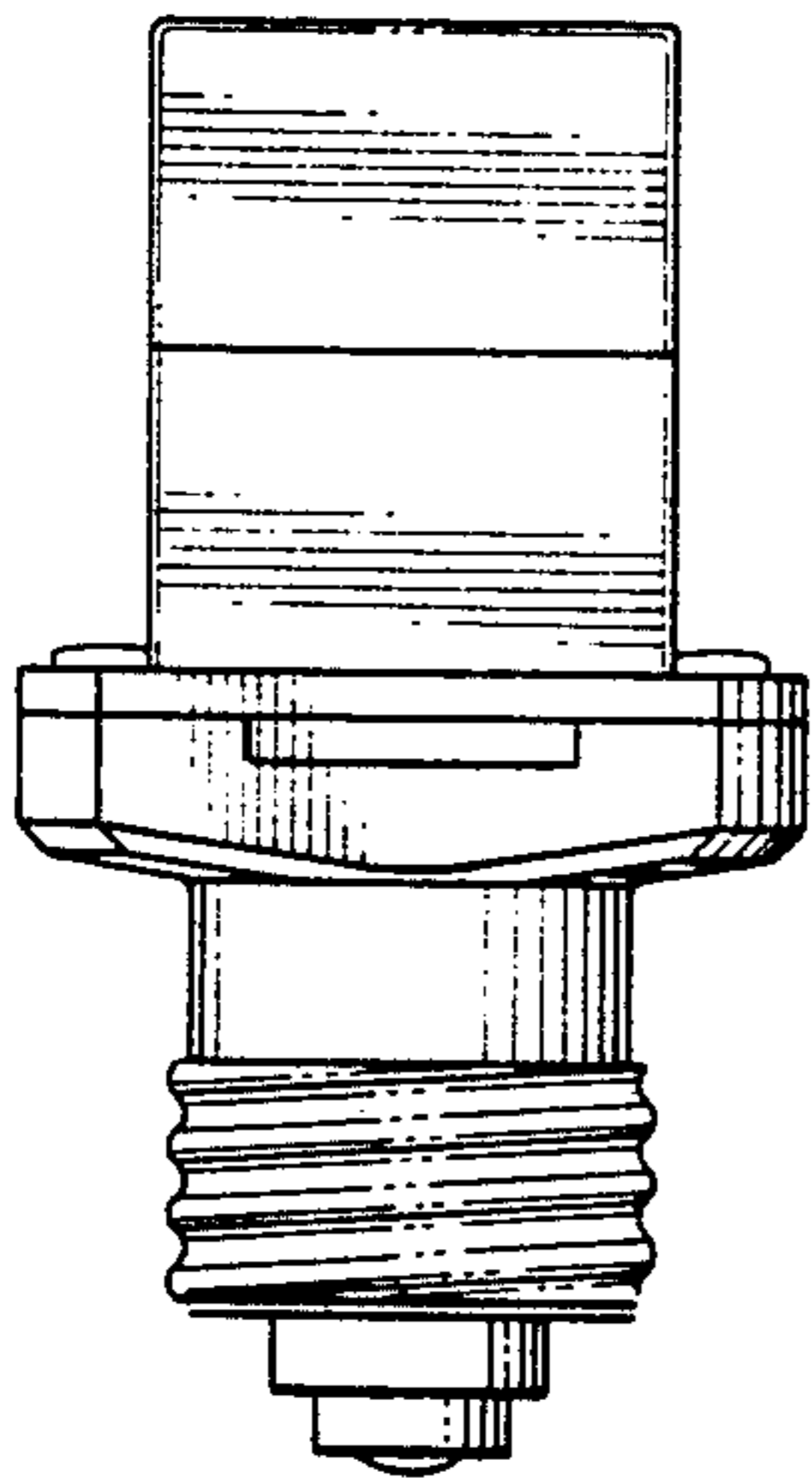


FIG. 4.

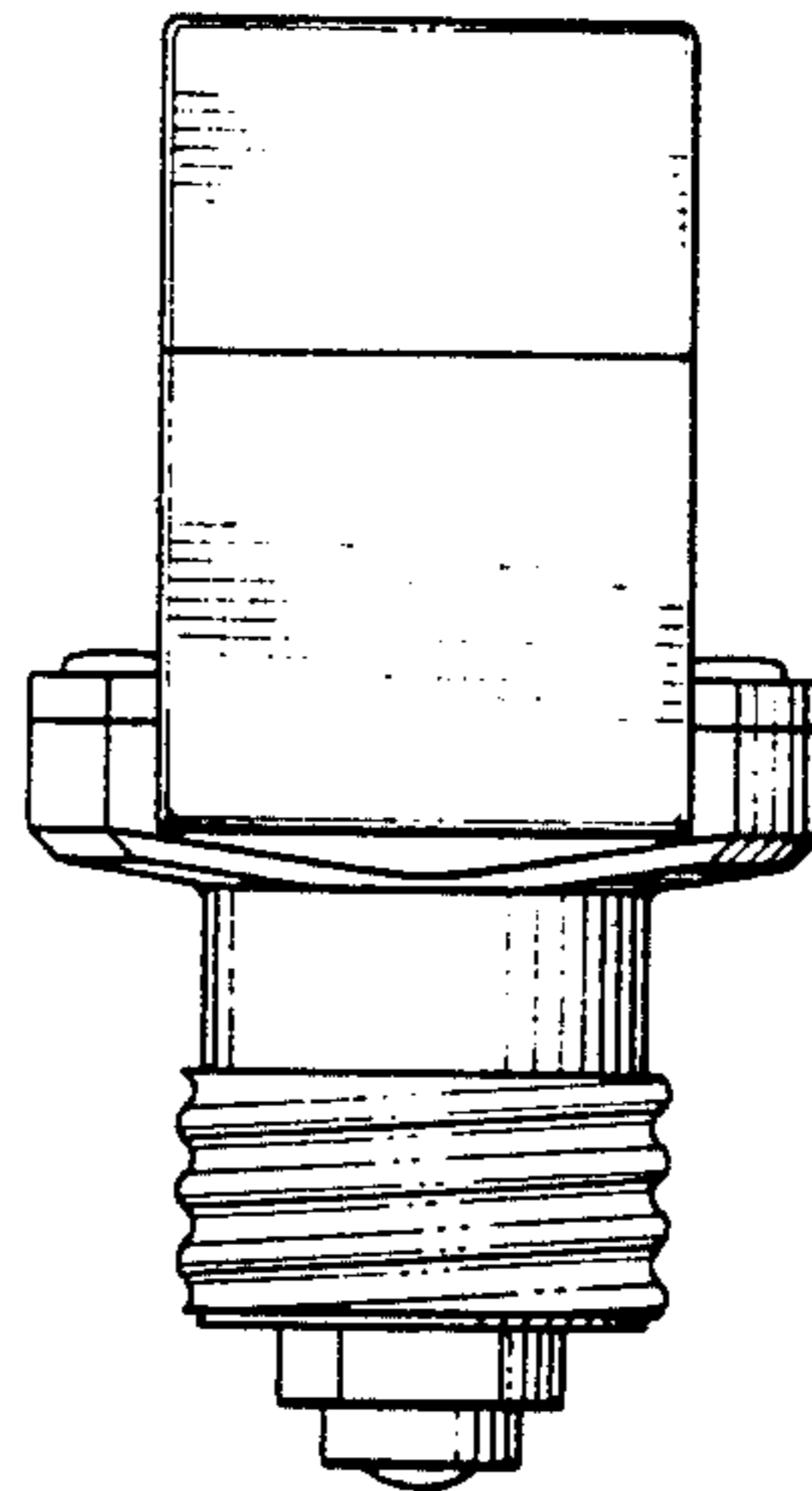


FIG. 5.

