

[54] CONTAINER BODY FOR LIQUIDS AND THE LIKE

[75] Inventors: Ted L. Beaver, Roselle; George R. Conrad, Elk Grove, both of Ill.

[73] Assignee: Quaker State Oil Refining Corporation, Oil City, Pa.

[\*\*] Term: 14 Years

[21] Appl. No.: 560,485

[22] Filed: Dec. 12, 1983

[52] U.S. Cl. .... D9/332; D9/391; D9/404; D9/408; D9/412

[58] Field of Search ..... D9/332, 333, 390, 399, D9/391, 396, 403, 404, 408, 411, 412; 215/1 R, 1 C

[56] References Cited

U.S. PATENT DOCUMENTS

- D. 23,174 4/1894 Lloyd ..... D9/412 X
- D. 86,629 3/1932 Nitardy ..... D9/411
- D. 109,331 4/1938 McManus et al. .... D9/355

- D. 213,262 1/1969 Dunlop ..... D9/408
- D. 220,167 3/1971 Barker ..... D9/404
- D. 243,657 3/1977 Strand ..... D9/408 X
- D. 254,773 4/1980 Kretz ..... D9/404
- D. 278,975 5/1985 Gurolich ..... D9/404 X

Primary Examiner—Robert C. Spangler  
Attorney, Agent, or Firm—Mason, Fenwick & Lawrence

[57] CLAIM

The ornamental design for a container body for liquids and the like, as shown and described.

DESCRIPTION

FIG. 1 is a front elevational view of a container body for liquids and the like embodying our new design; FIG. 2 is a side elevational view taken from the right of FIG. 1; FIG. 3 is a side elevational view taken from the left of FIG. 1; FIG. 4 is a top plan view; and FIG. 5 is a bottom plan view thereof. Broken lines showing the neck finish are for the purpose of illustrating the environment of use.

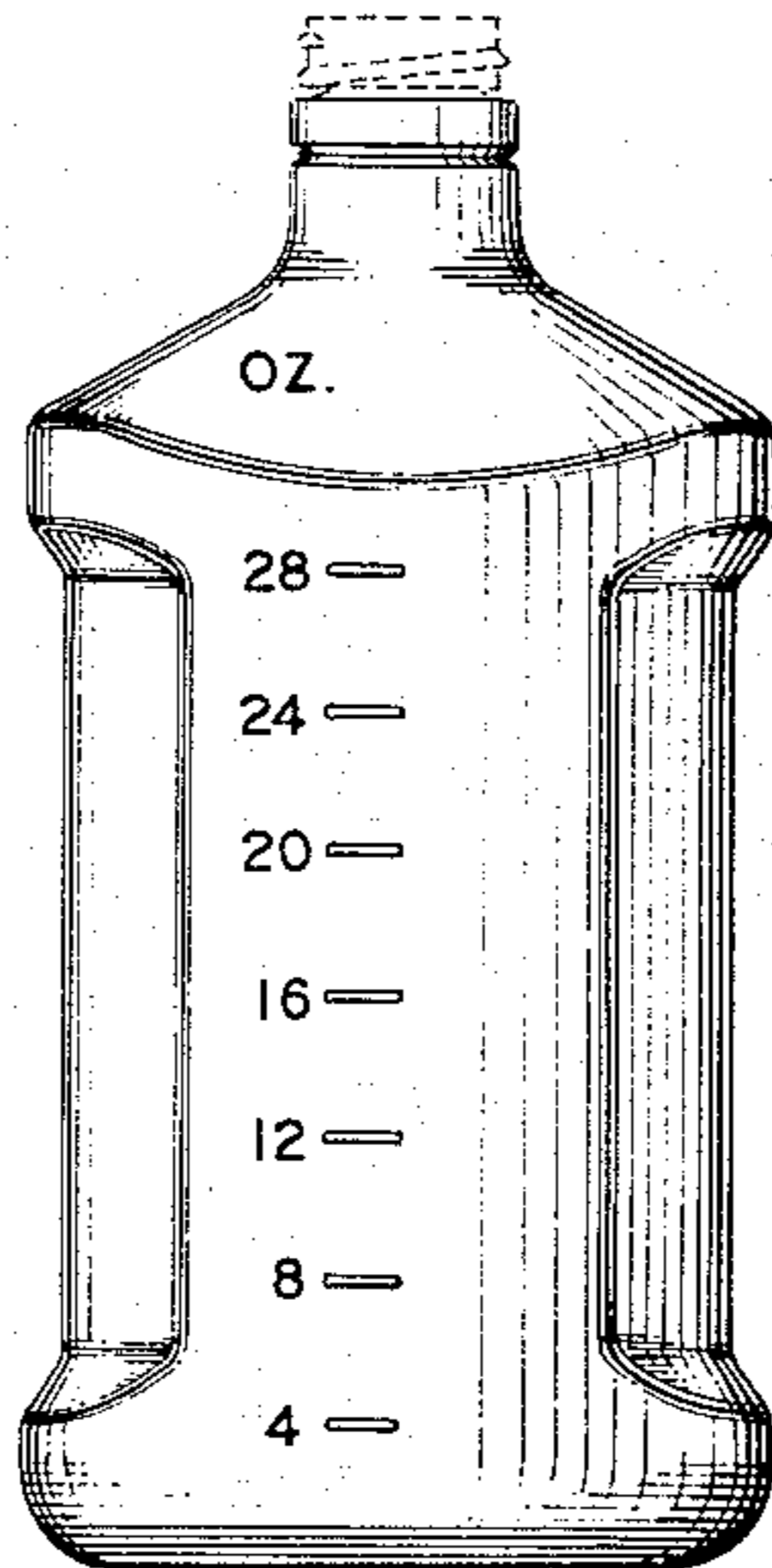


FIG. 1

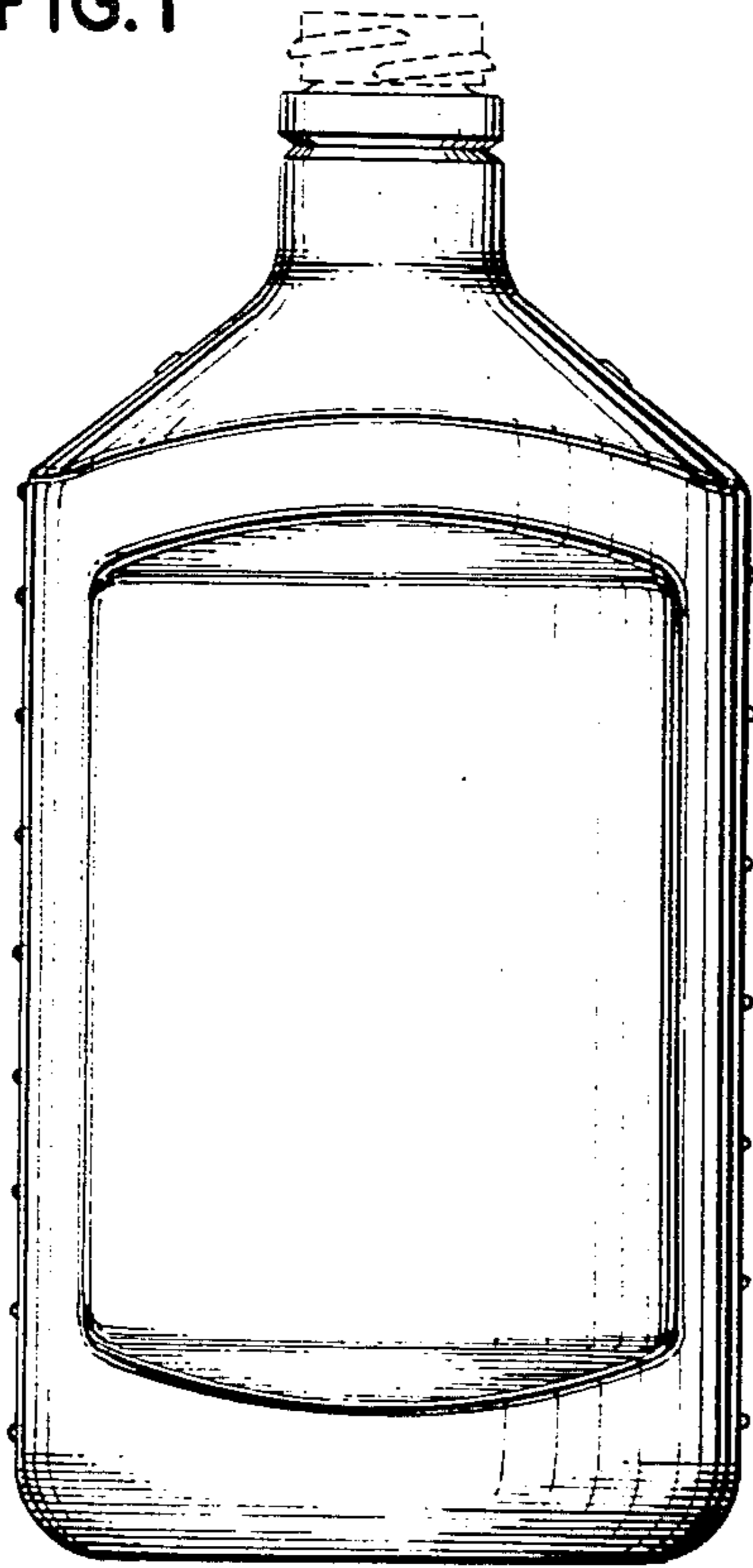


FIG. 2

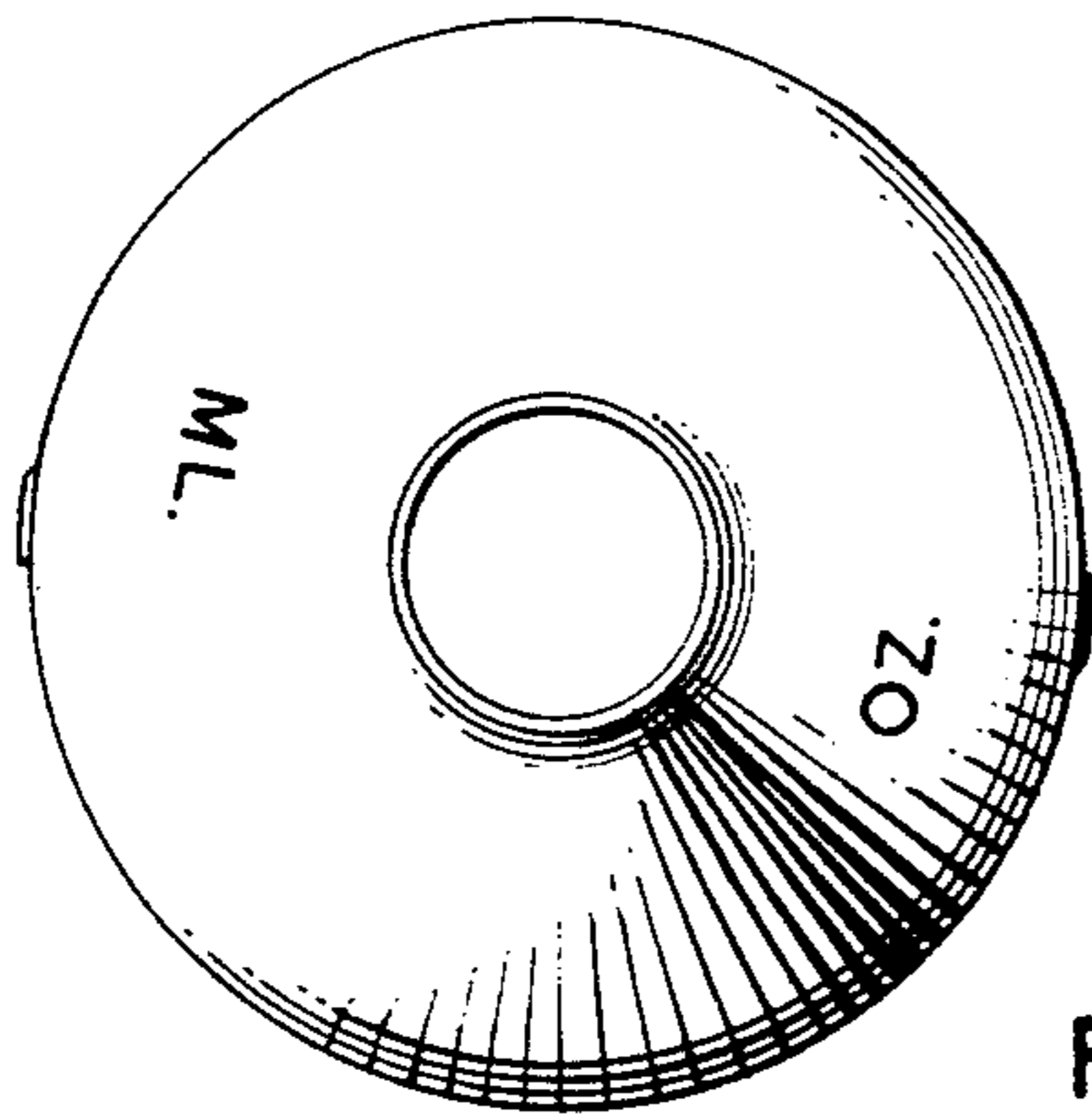
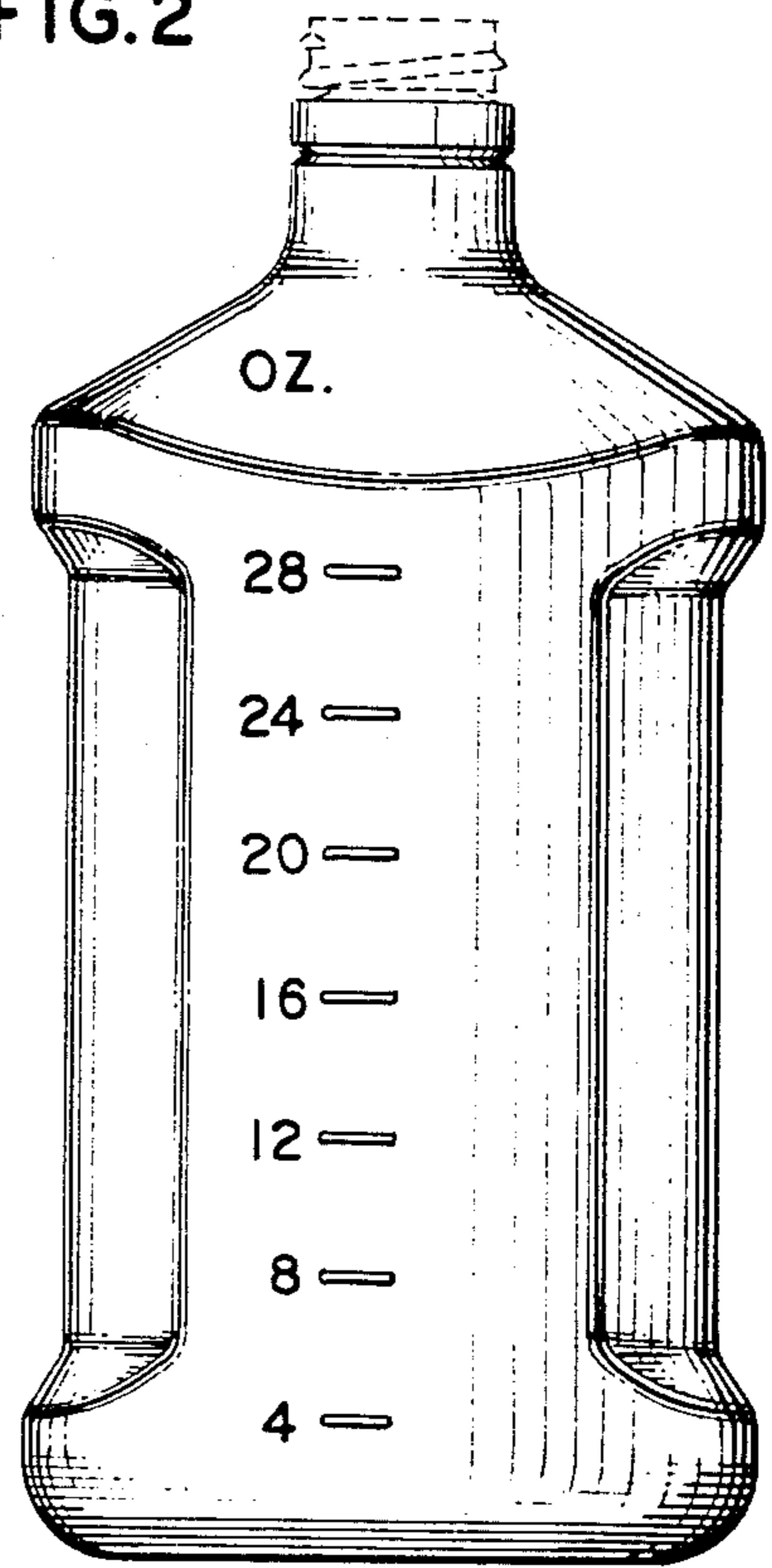


FIG. 4

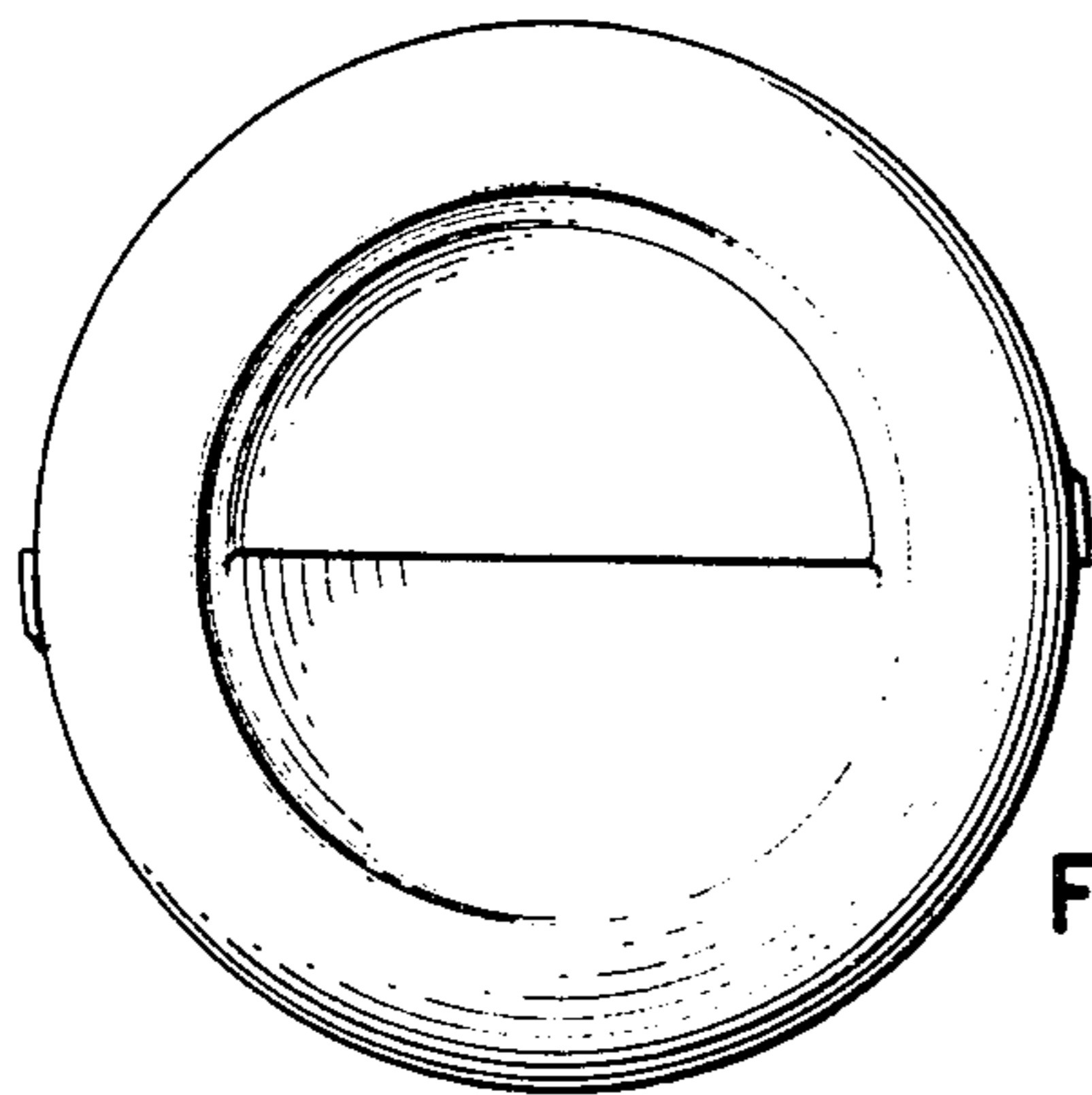


FIG. 5

FIG. 3

