

[54] **SCISSOR**

[75] **Inventor: Roberto Cerutti, Milan, Italy**

[73] **Assignee: Vicom Italiana Di Nave Libero,  
Milan, Italy**

[\*\*] **Term: 14 Years**

[21] **Appl. No.: 531,913**

[22] **Filed: Sep. 12, 1983**

[30] **Foreign Application Priority Data**

Mar. 11, 1983 [IT] Italy ..... 21091 B/83[U]

[52] **U.S. Cl. .... D8/57**

[58] **Field of Search ..... D8/4, 5, 57; 7/127,  
7/135; 30/134, 145, 146, 229, 230, 233, 254,  
256, 259, 260, 341**

[56] **References Cited**

**U.S. PATENT DOCUMENTS**

D. 34,097 2/1901 Smith ..... D8/57  
D. 195,083 4/1963 Stahl ..... D8/57  
D. 236,080 7/1975 Hopraft ..... D8/57

*Primary Examiner*—Bernard Ansher  
*Assistant Examiner*—Terry Pfeffer  
*Attorney, Agent, or Firm*—Karl F. Ross; Herbert Dubno

[57] **CLAIM**

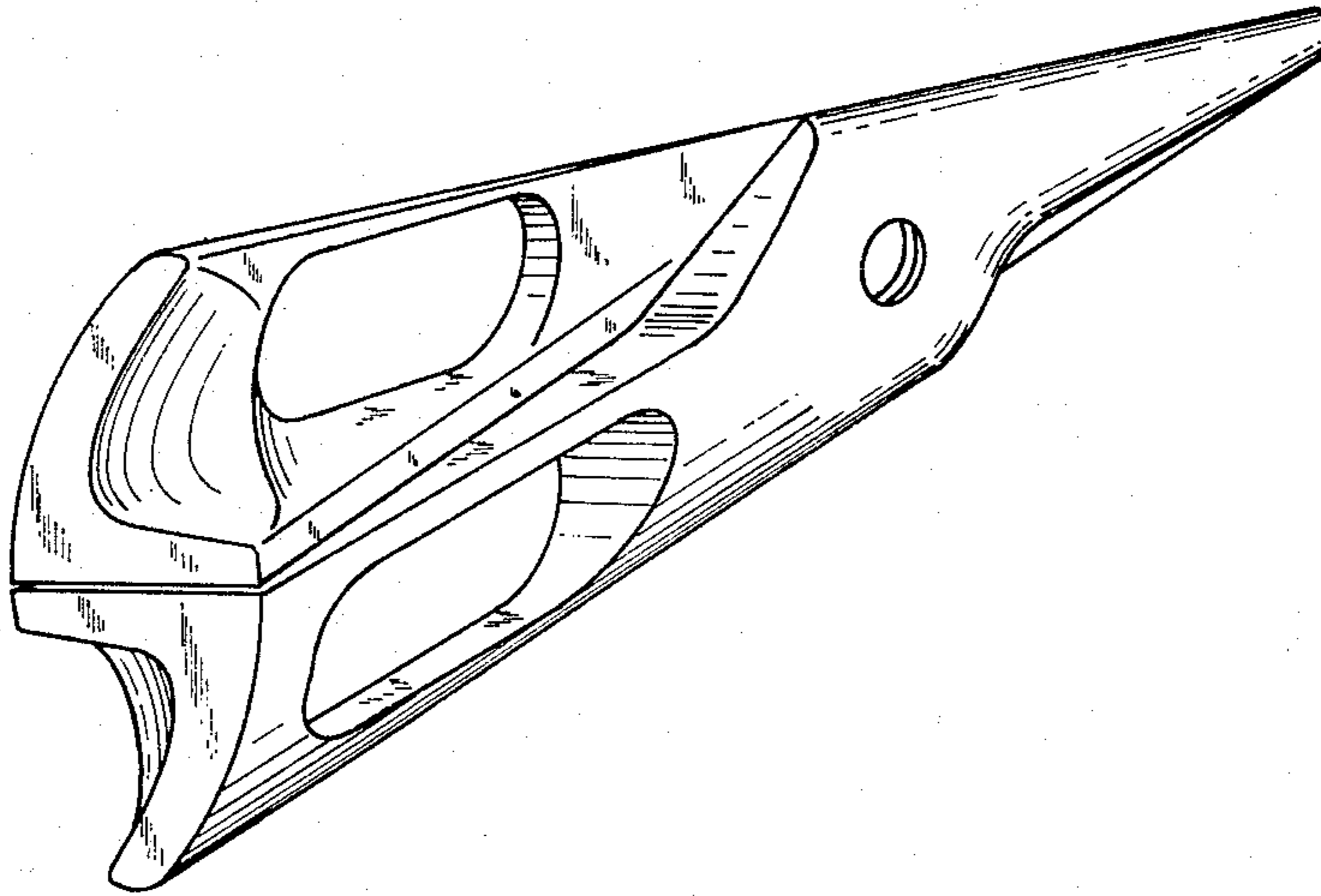
The ornamental design for a scissor, as shown and described.

**DESCRIPTION**

FIG. 1 is a top front, left side perspective view of a scissor showing my new design, the rear portion being a mirror image of the front;

FIG. 2 is a top, front, left side perspective view thereof shown in an open position;

FIG. 3 is an enlarged left side elevation thereof; and  
FIG. 4 is a right side elevation thereof.



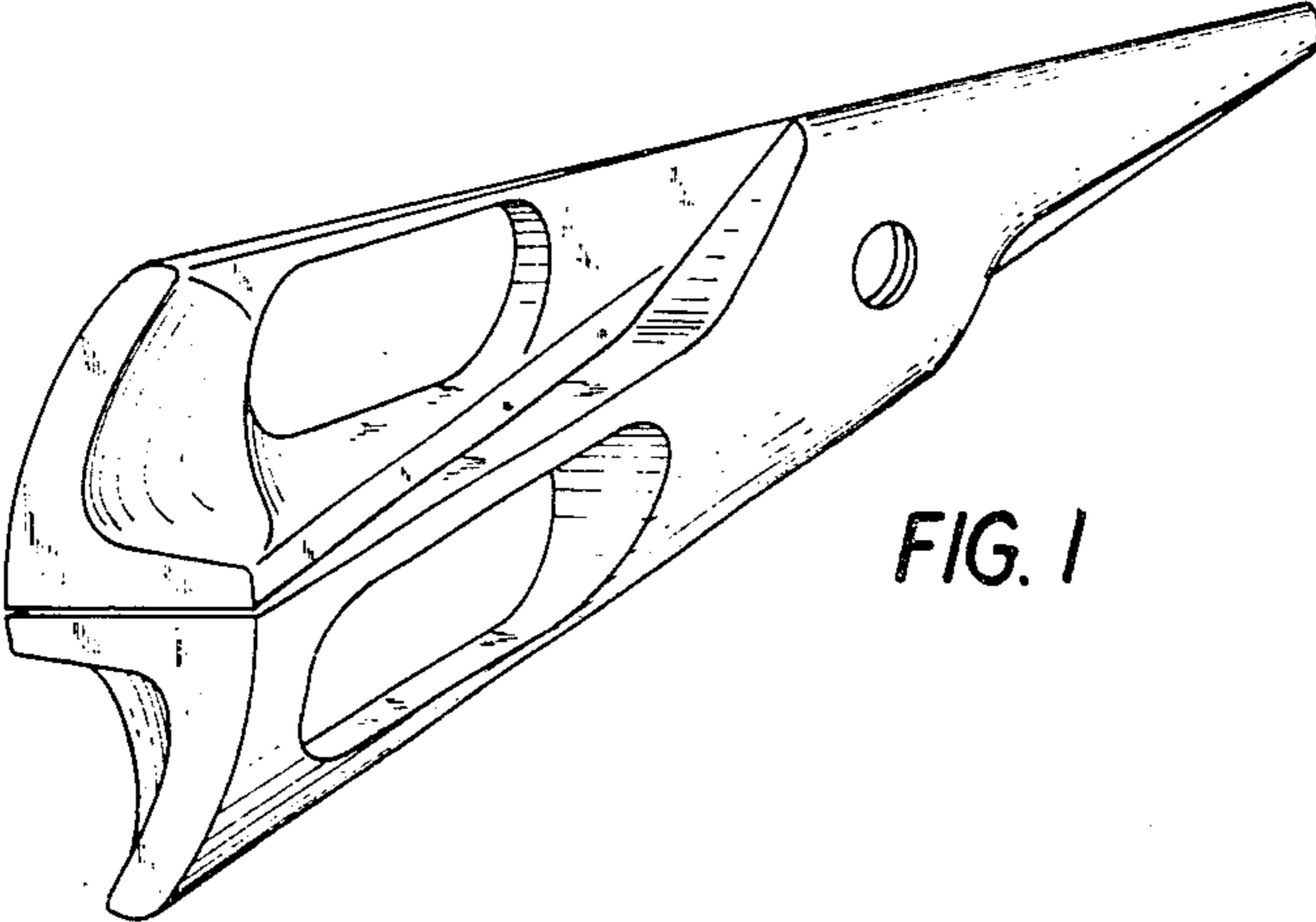


FIG. 1

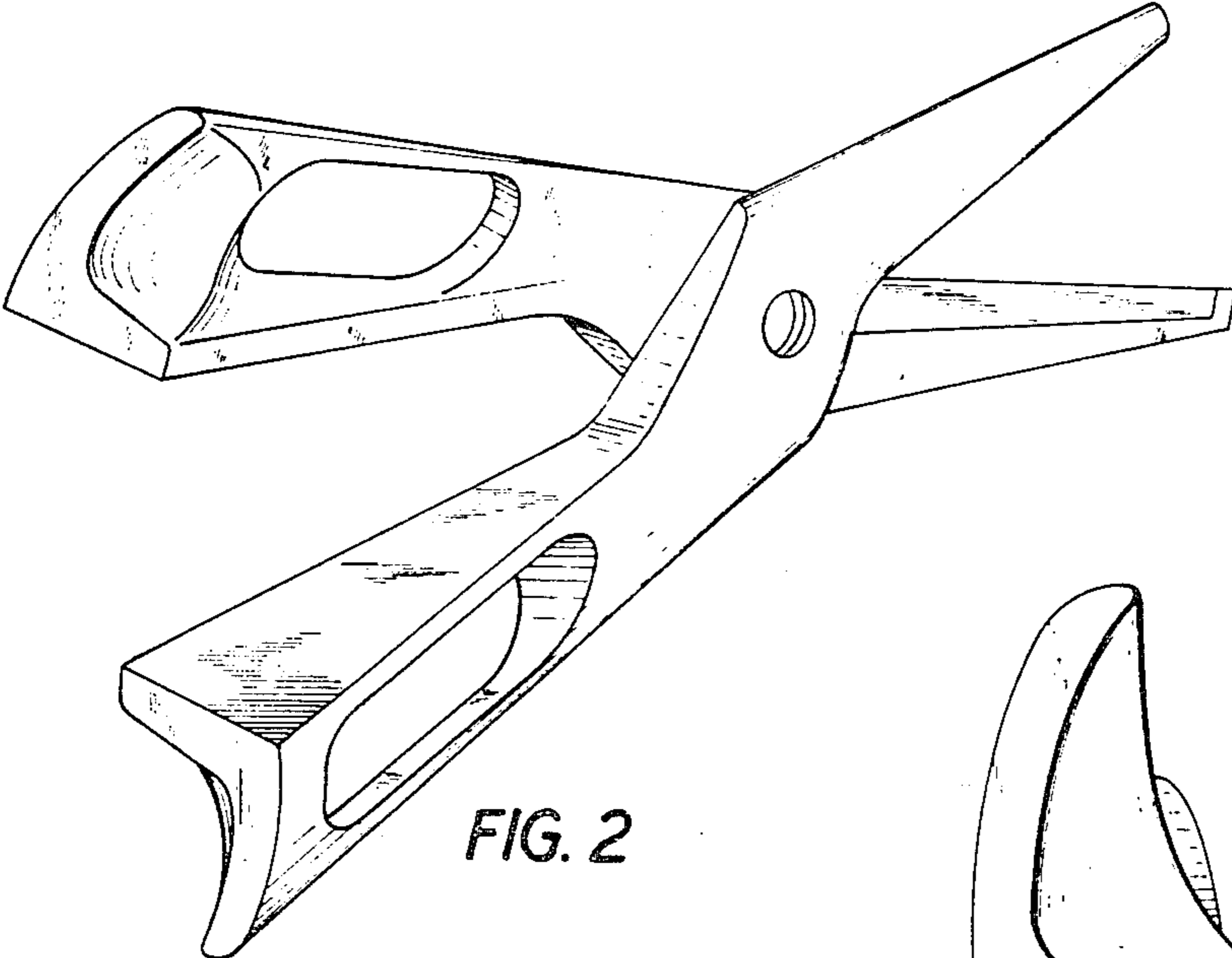


FIG. 2

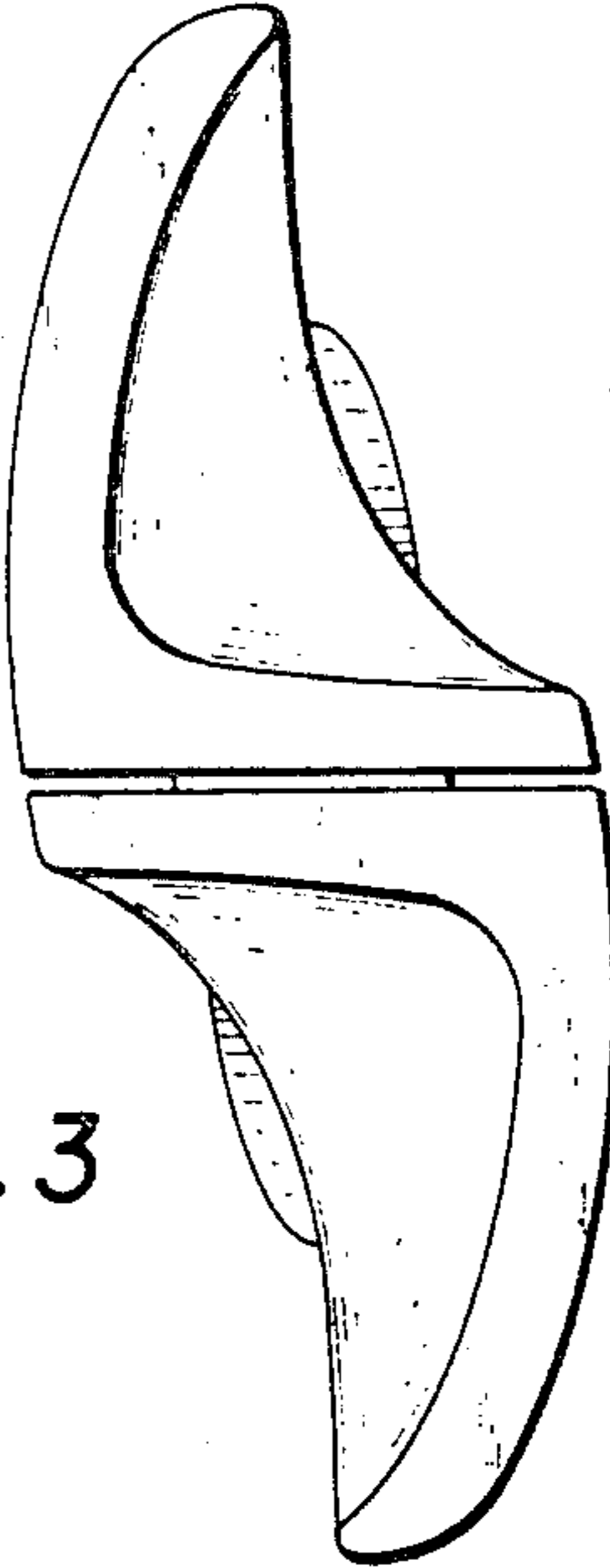
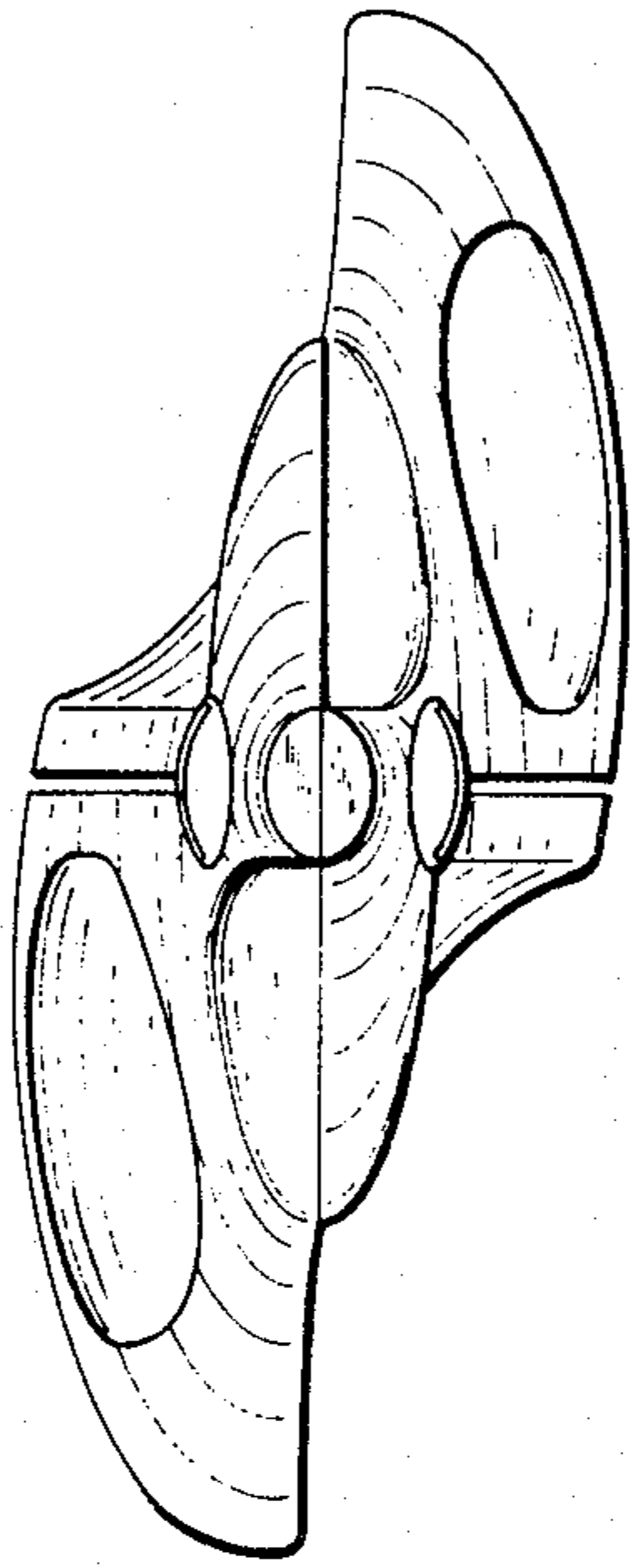


FIG. 3



**FIG. 4**