

[54] **COVER FOR A CASSEROLE**

[75] **Inventor:** Donald R. McClelland, Wooster, Ohio
 [73] **Assignee:** Rubbermaid Incorporated, Wooster, Ohio
 [**] **Term:** 14 Years
 [21] **Appl. No.:** 395,653
 [22] **Filed:** Jul. 6, 1982
 [52] **U.S. Cl.** D7/40; D7/391
 [58] **Field of Search** D7/16, 17, 18, 360, D7/354, 356, 357, 1; D7/40, 391, 392

[56] **References Cited**

U.S. PATENT DOCUMENTS

D. 197,575	2/1964	Gulotta	D7/40
D. 204,407	4/1966	Imhoff	D7/391
D. 271,075	10/1983	Daenen et al.	D7/391
D. 276,118	10/1984	Conti et al.	D7/40

OTHER PUBLICATIONS

You're Not an Ordinary Store—pp. 6–9, Corning Glass Works, Corning, N.Y. 14830. Oct. 1978, Items A, H, p.

6, Items E, M, Cover p. 7, top panels p. 8, Ribbed Dishes p. 9.
 Presenting Corning Ware French White—Corning Glass Works, Corning, N.Y. 14830. Sep. 1979, Ribbed Walls on Casserole Dishes, Round and Oval Dishes.
 We Keep It Hot; We Keep It Cold; We Serve It In Style—Thermoserve, 2939–6th Ave. N., Anoka, Minn. 55303—Jan. 1981, p. 9, Item F, 2Qt. Serving Dish/Lid and Aluminum Pan.

Primary Examiner—Winifred E. Herrmann
Attorney, Agent, or Firm—Renner, Kenner, Greive & Bobak Co.

[57] **CLAIM**

The ornamental design for a cover for a casserole, as shown.

DESCRIPTION

FIG. 1 is a perspective view of a cover for a casserole showing my new design.
 FIG. 2 is a top plan view thereof.
 FIG. 3 is a cross-sectional view thereof taken substantially along line 3—3 of FIG. 2.
 FIG. 4 is a bottom view thereof.
 FIG. 5 is a side elevational view thereof.

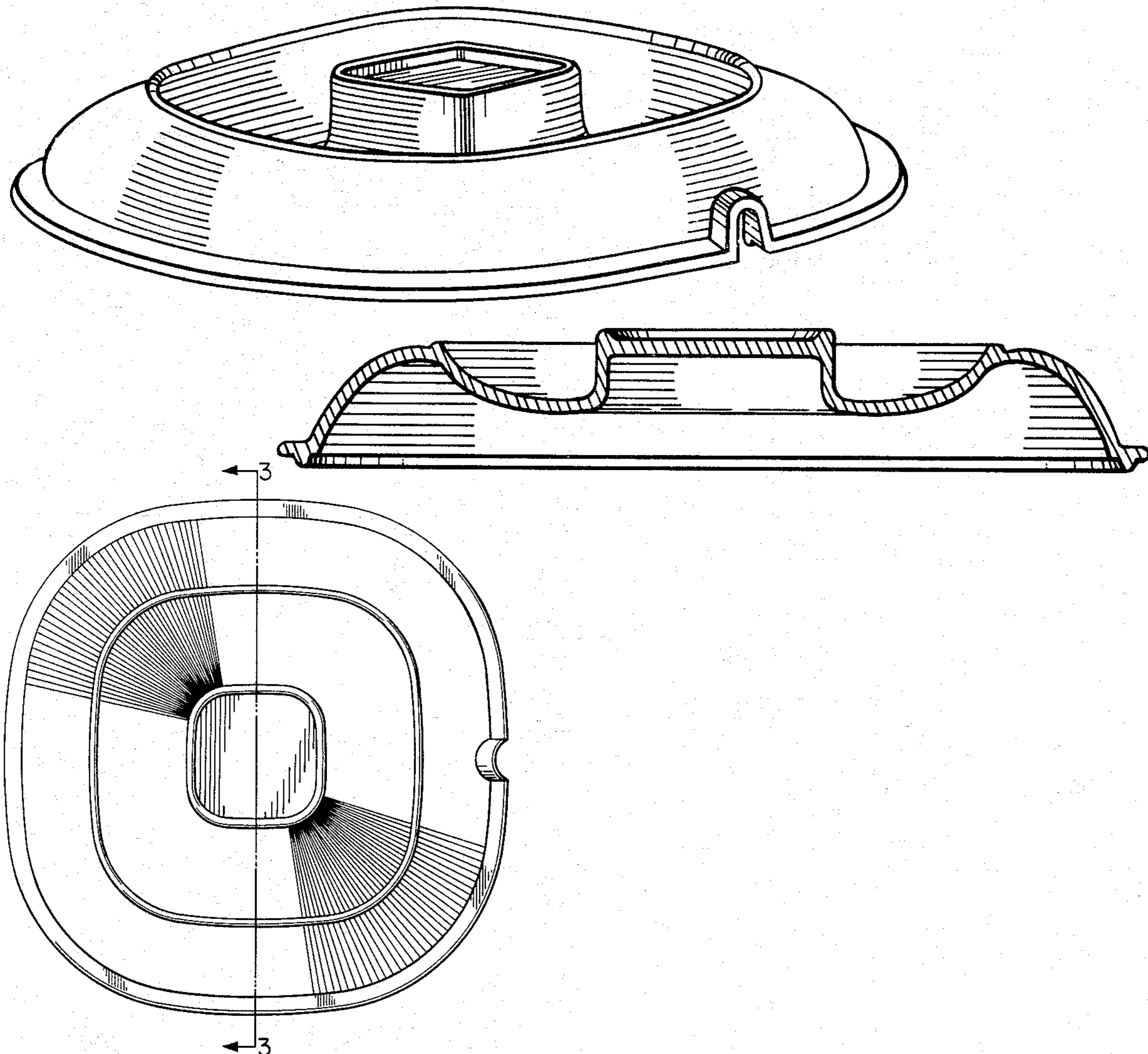
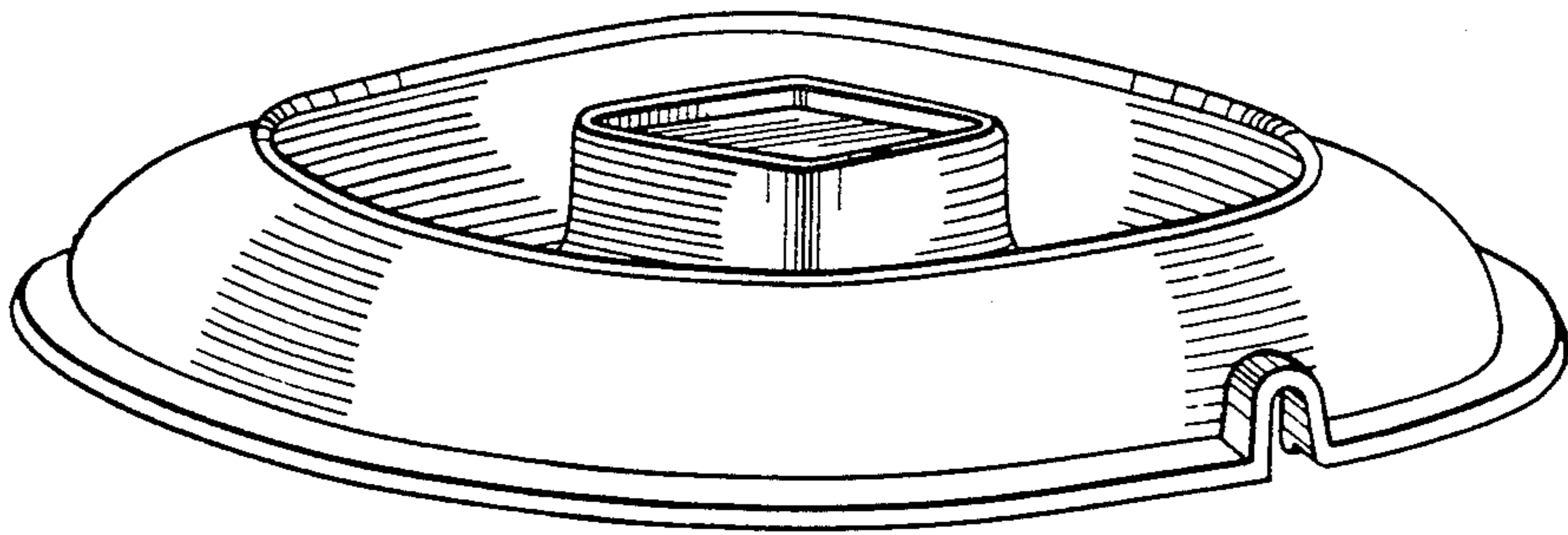


FIG. 1



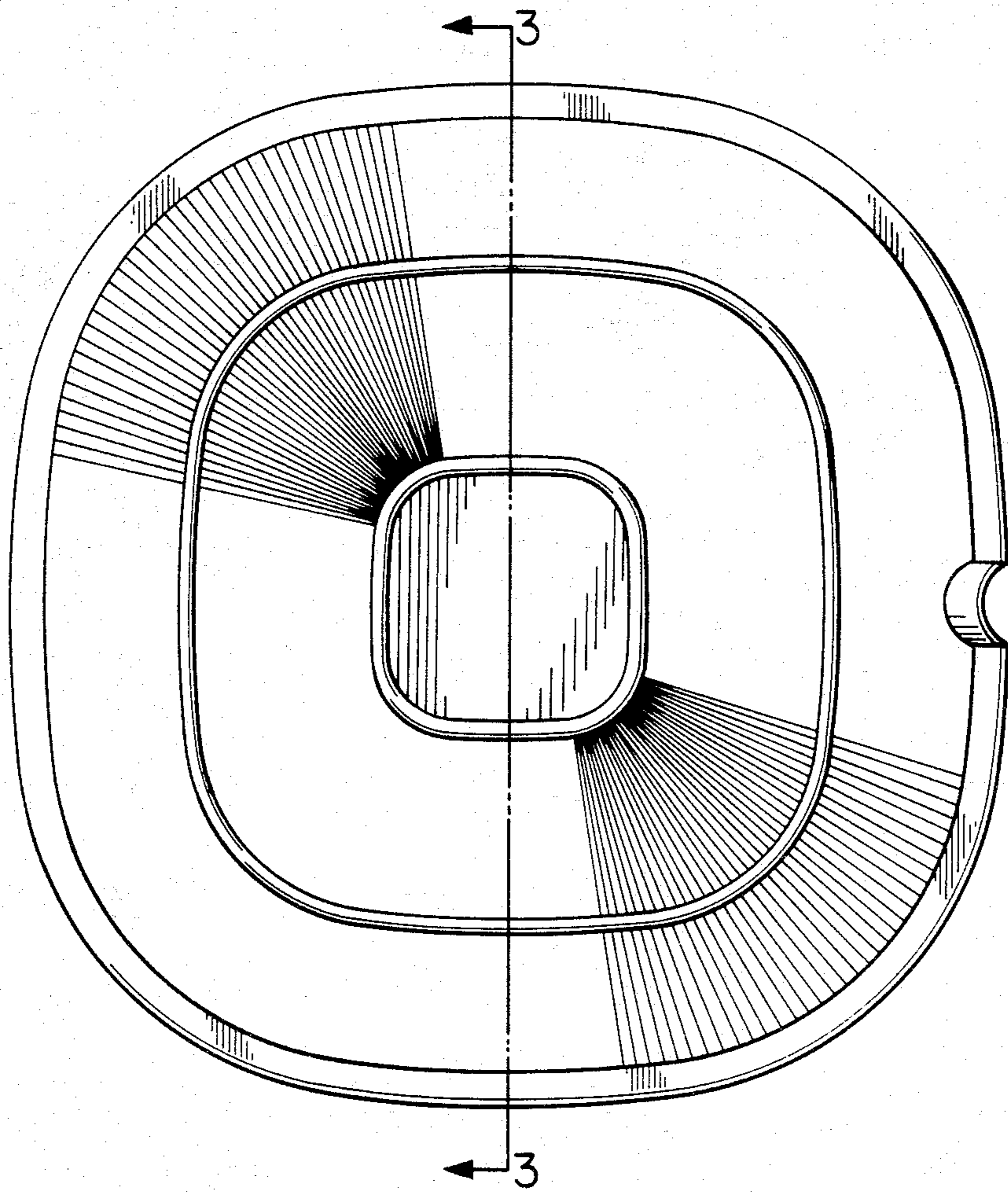


FIG. 2

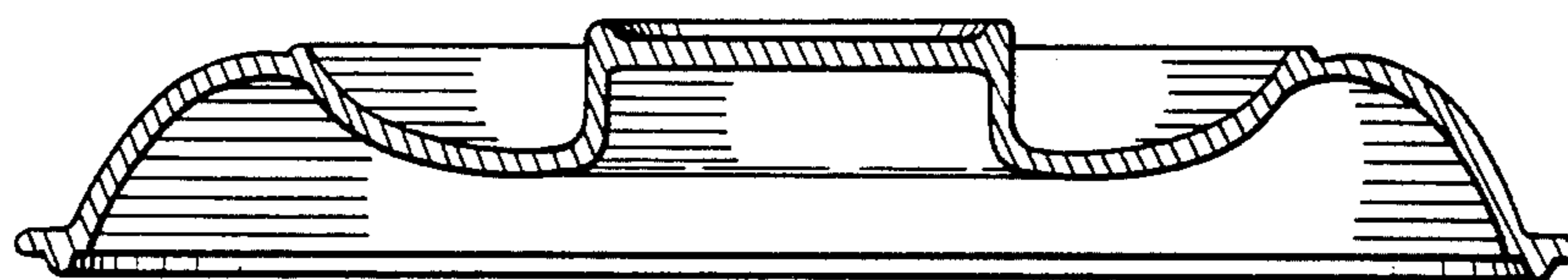


FIG. 3

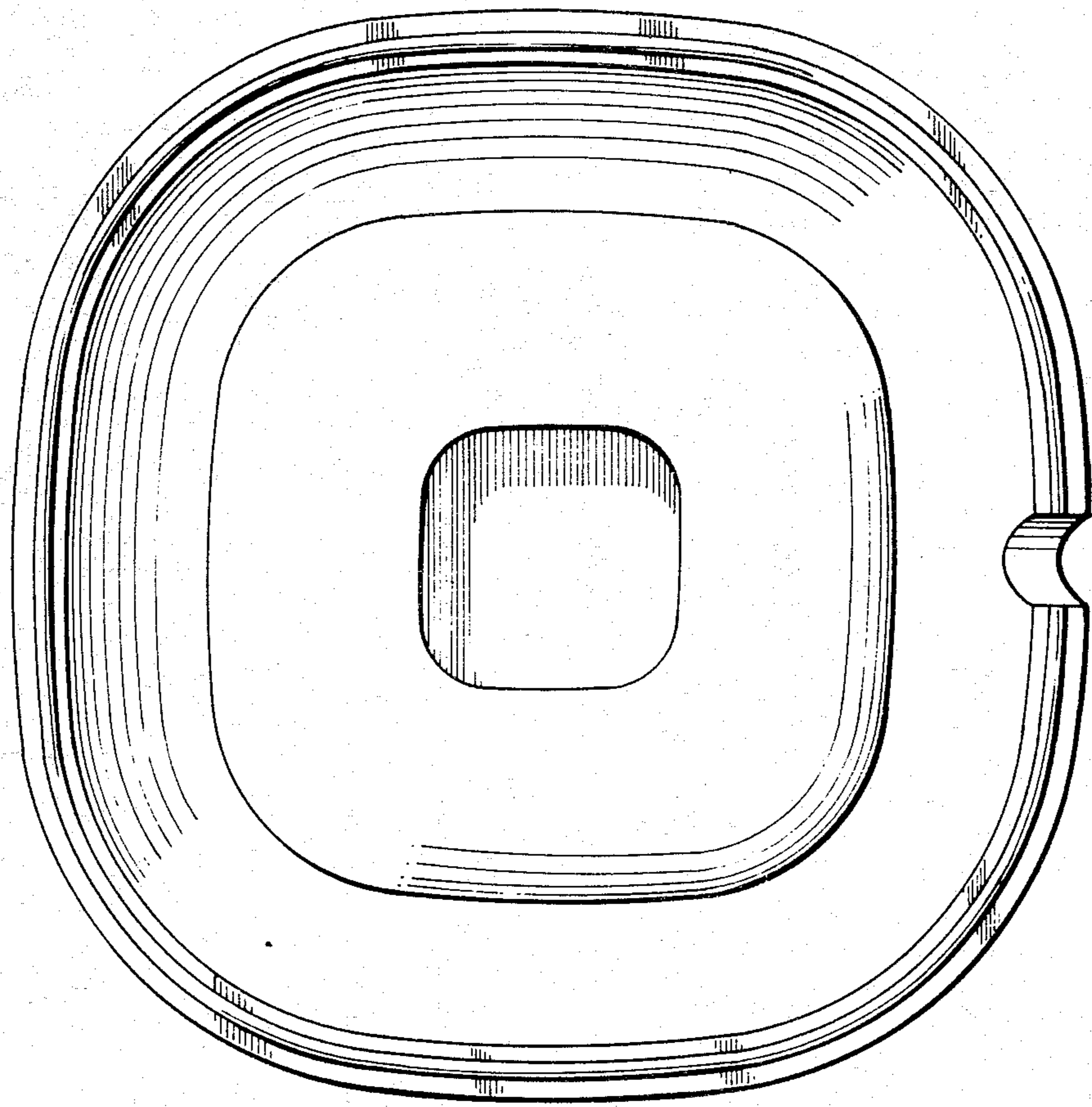


FIG. 4

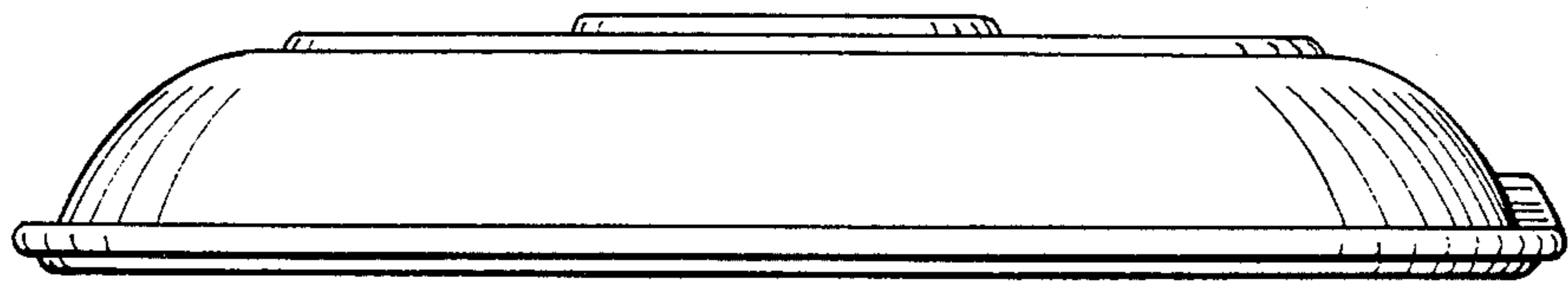


FIG. 5