

[54] RAISED SERVING BOARD

[75] Inventor: Andre R. Morin, Dollard des Ormeaux, Canada

[73] Assignee: Namaar Enterprises Inc., Bolton, Canada

[\*\*] Term: 14 Years

[21] Appl. No.: 490,238

[22] Filed: Jun. 13, 1983

[52] U.S. Cl. .... D7/37; D6/406; D7/46

[58] Field of Search ..... D6/484, 406, 495; D7/37, 38, 39, 46, 43; 269/289 R, 302.1, 313, 314; 83/607, 609

[56] References Cited

U.S. PATENT DOCUMENTS

D. 67,394 5/1925 Cornwell ..... D6/406

D. 81,285	6/1930	Huntington	.....	D6/406
D. 173,318	10/1954	Levenhagen	.....	D7/37
D. 173,475	11/1954	Cooper	.....	D7/46
D. 222,096	9/1971	Brown	.....	D7/46
2,801,691	8/1957	Glass	.....	83/607 X
3,490,324	1/1970	Dahle	.....	83/607 X
3,598,164	8/1971	August	.....	269/15

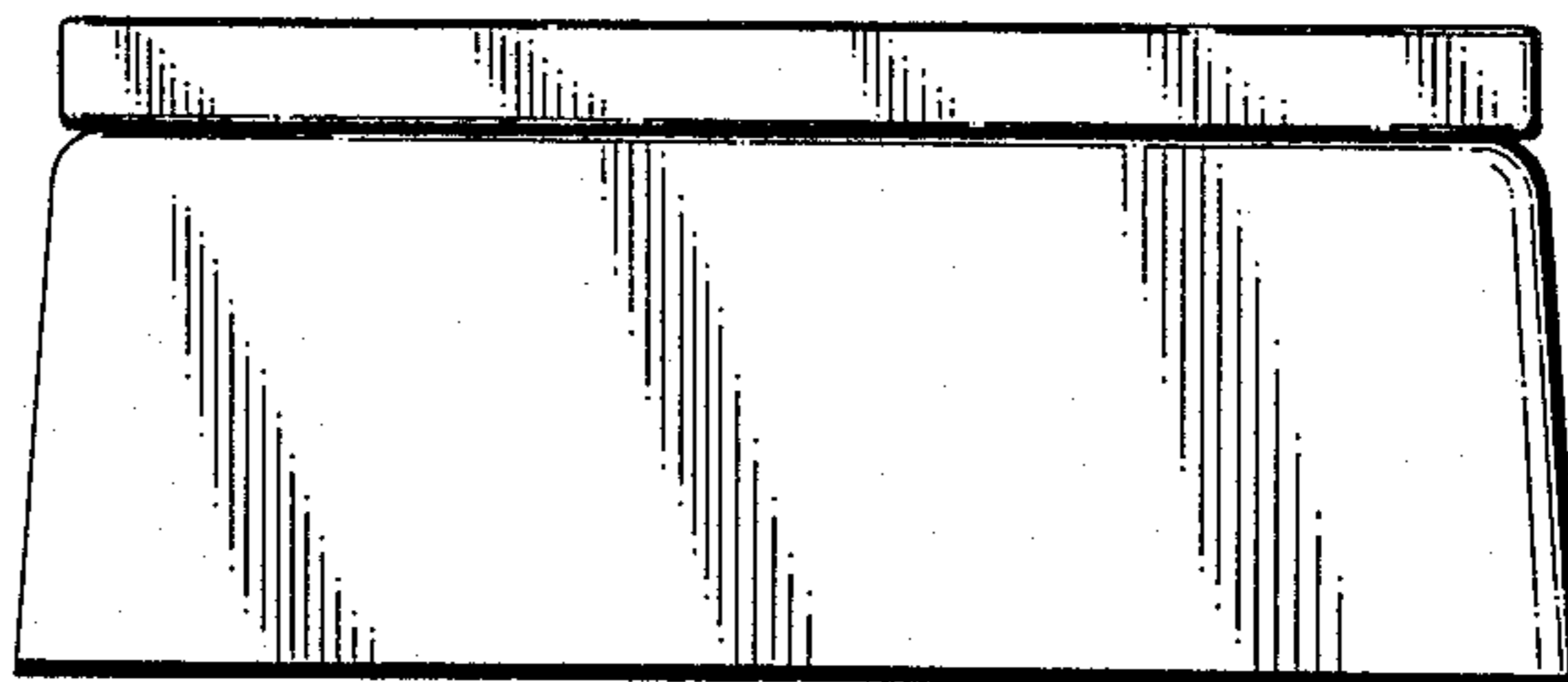
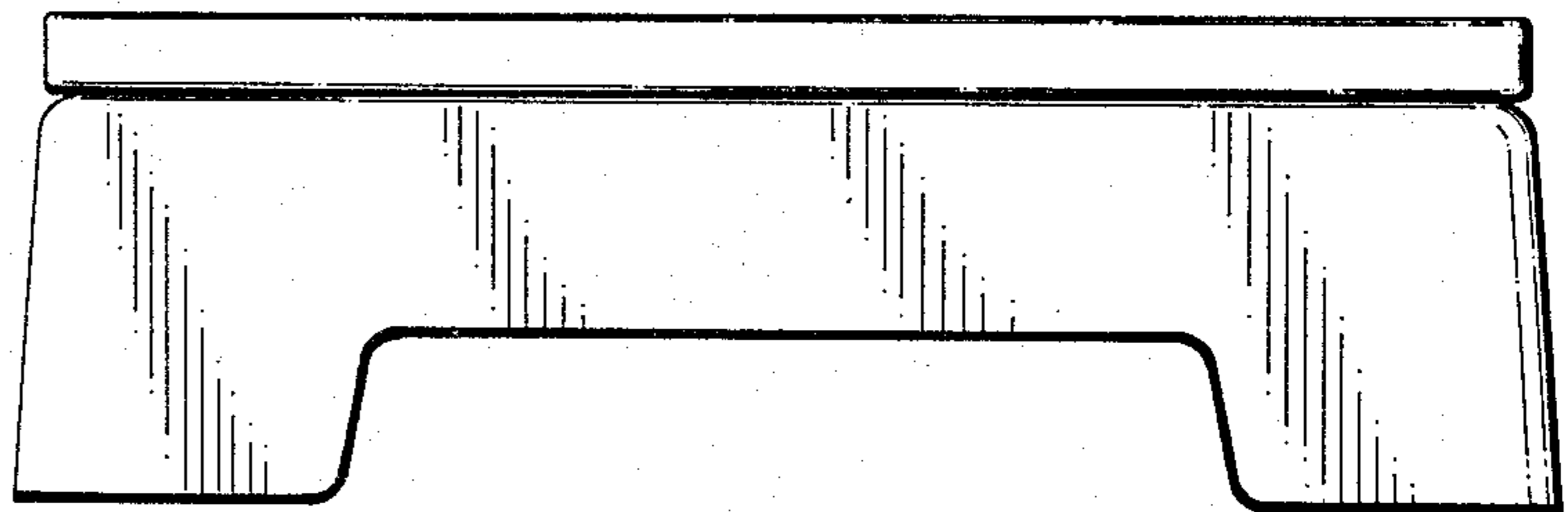
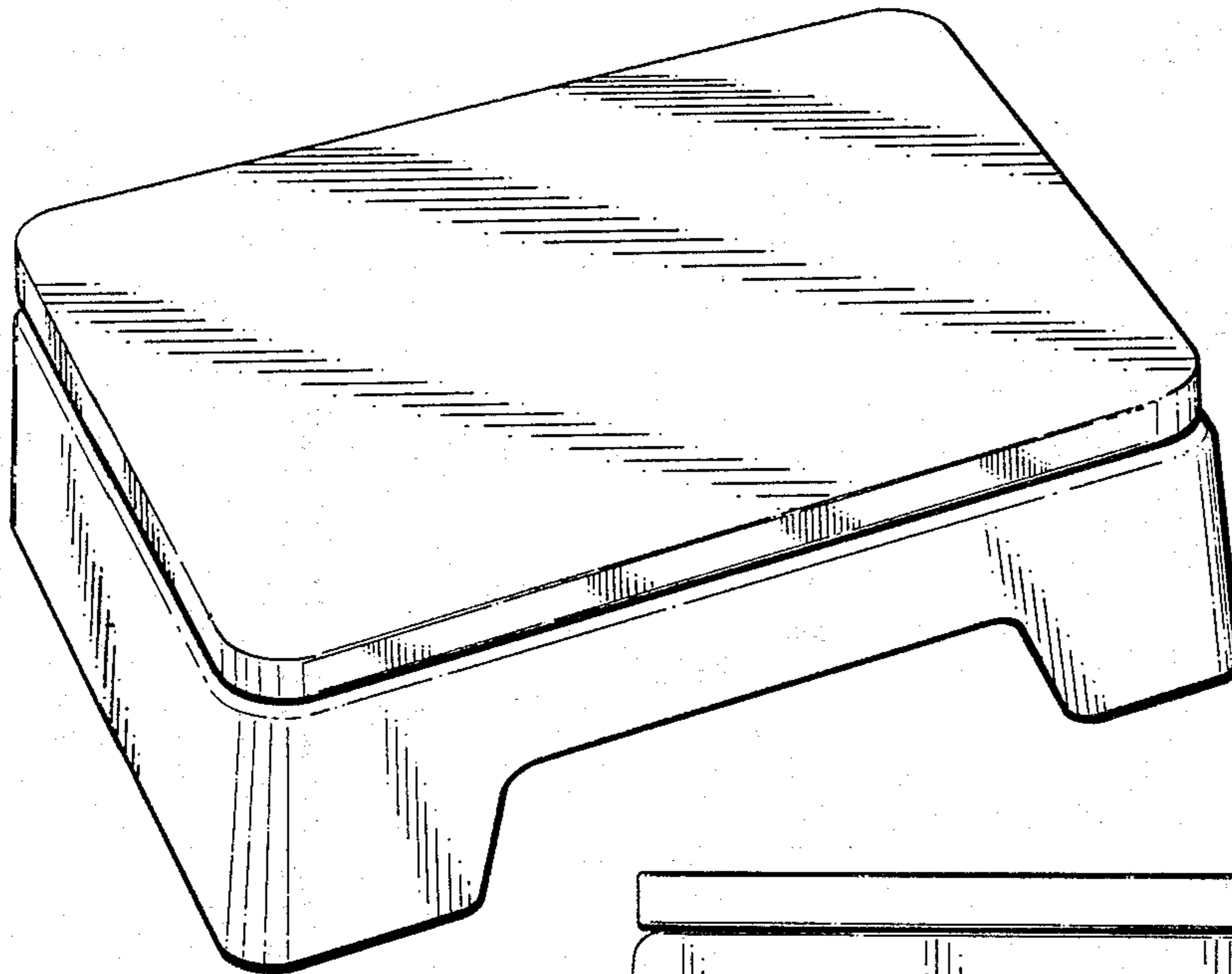
Primary Examiner—Winifred E. Herrmann  
Attorney, Agent, or Firm—Sim & McBurney

[57] CLAIM

The ornamental design for a raised serving board, as shown.

DESCRIPTION

FIG. 1 is a top, front, and left side perspective view of a raised serving board showing my new design; FIG. 2 is a top plan view thereof; FIG. 3 is a bottom plan view thereof; FIG. 4 is a rear elevational view thereof; and FIG. 5 is a right side elevational view thereof.



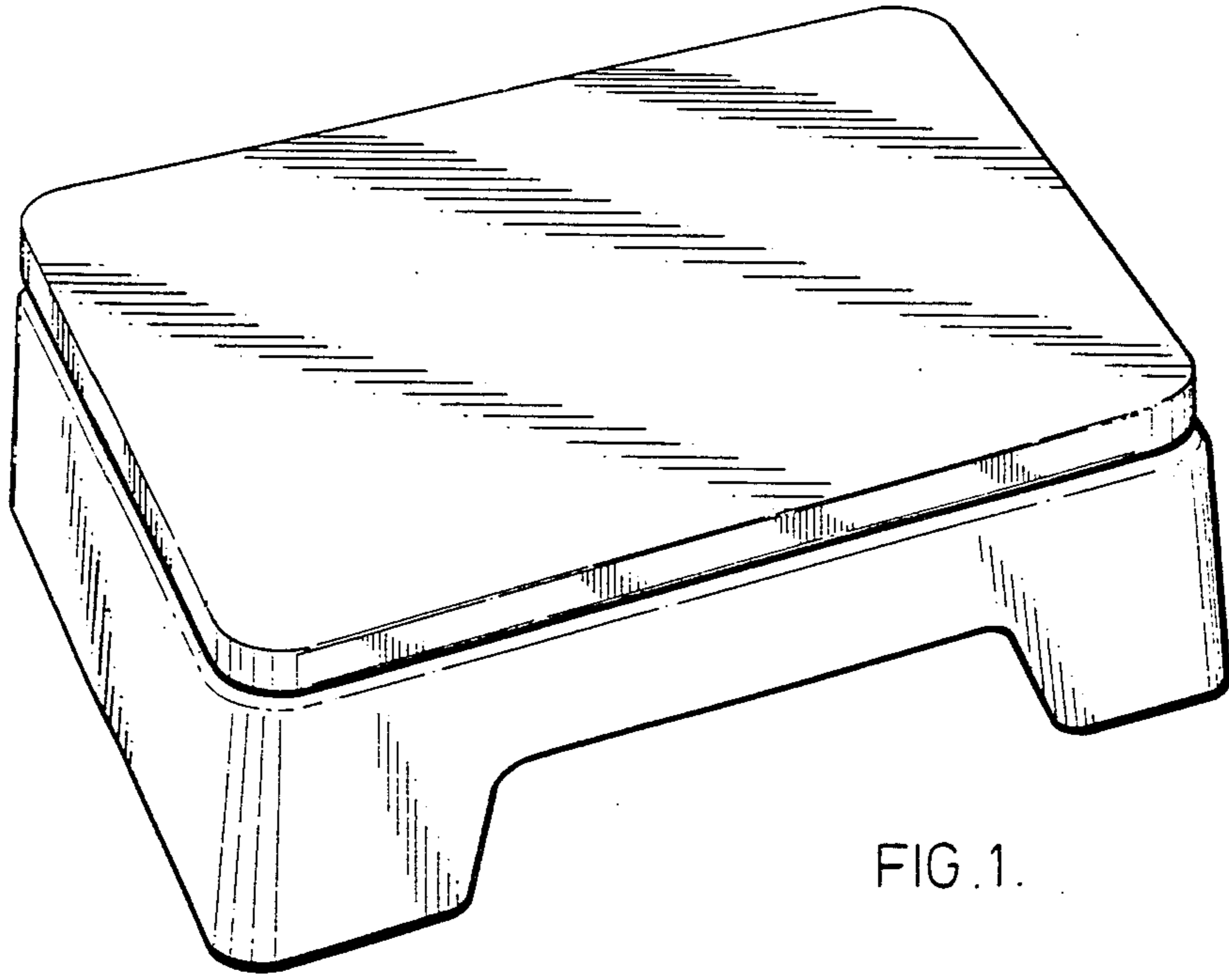


FIG. 1.

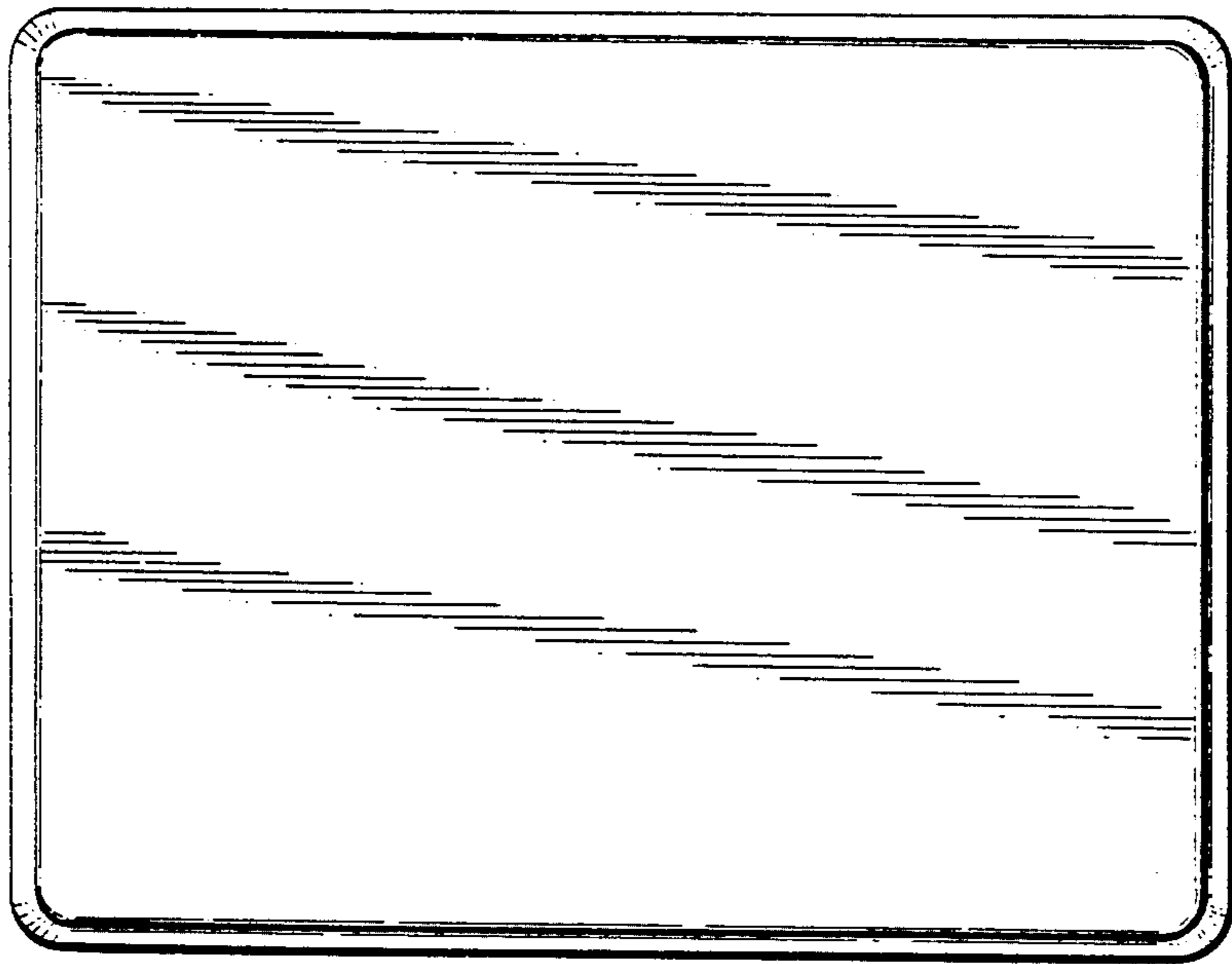


FIG. 2.

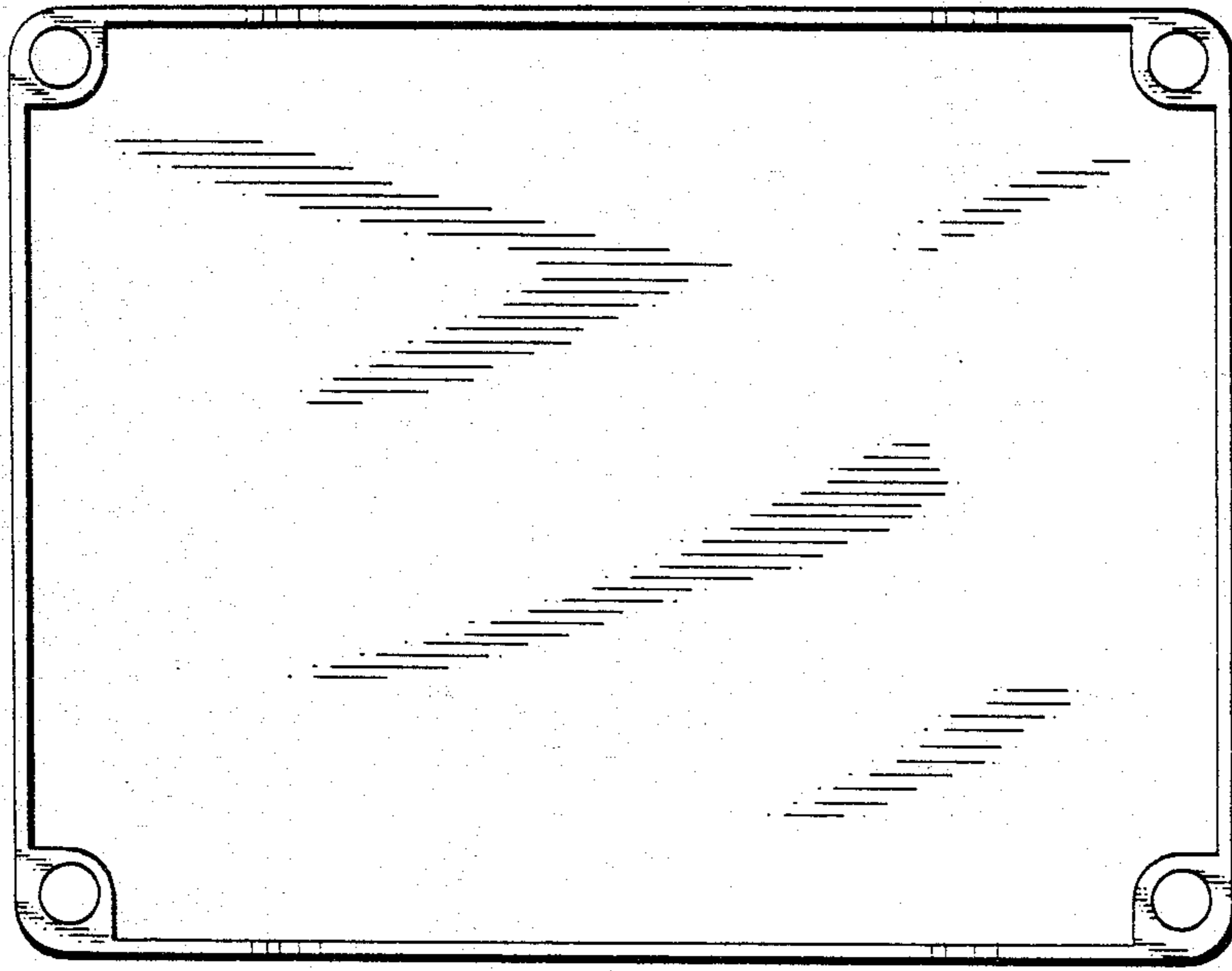


FIG. 3.

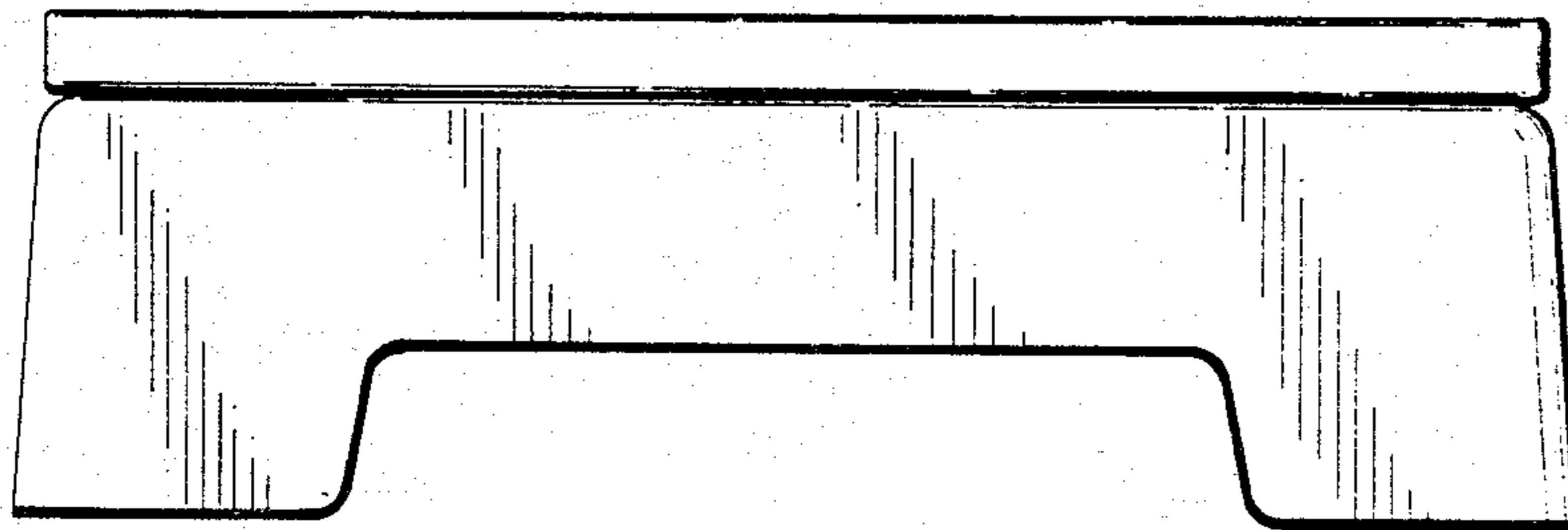


FIG. 4.

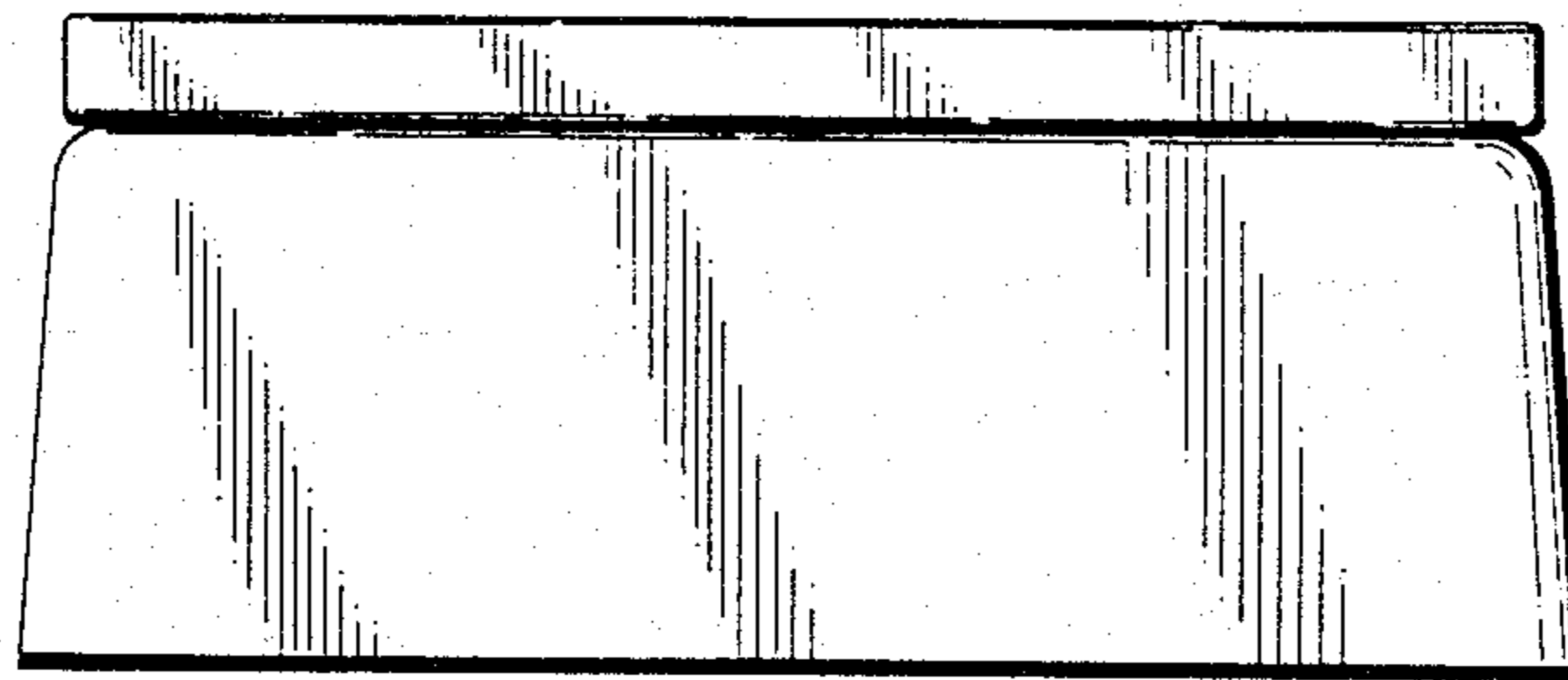


FIG. 5.