

[54] **SERVING TRAY**
 [75] **Inventor: Abigail H. Gallagher, Chicago, Ill.**
 [73] **Assignee: American Hospital Supply Corporation, Evanston, Ill.**
 [**] **Term: 14 Years**
 [21] **Appl. No.: 499,255**
 [22] **Filed: May 31, 1983**
 [52] **U.S. Cl. D7/37; D7/21**
 [58] **Field of Search D7/3, 37, 38, 21, 19, D7/45**

D. 263,268 3/1982 Rein D7/37
 2,647,716 8/1953 Hudziak et al. D7/37 X

Primary Examiner—Winifred E. Herrmann
Attorney, Agent, or Firm—Leydig, Voit & Mayer, Ltd.

[57] **CLAIM**

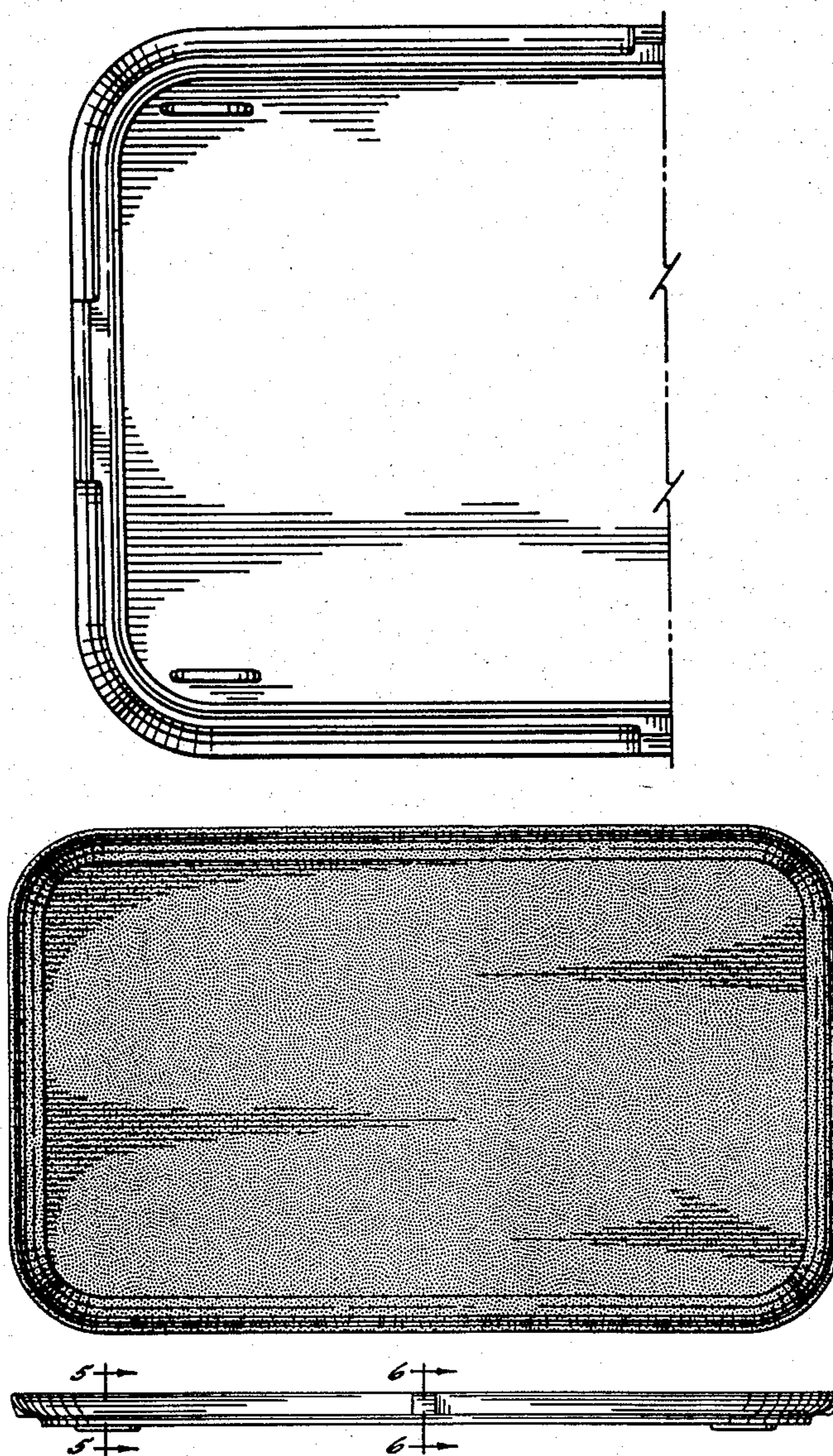
The ornamental design for a serving tray, as shown and described.

DESCRIPTION

FIG. 1 is a top plan view of a serving tray showing my new design;
 FIG. 2 is a right side elevational view thereof, the side opposite being identical thereto;
 FIG. 3 is an end elevational view;
 FIG. 4 is a bottom plan view of one half thereof, the other half being a mirror image;
 FIG. 5 is a sectional view taken along the line 5—5 in FIG. 2; and
 FIG. 6 is a sectional view taken along the line 6—6 in FIG. 2.
 The drawings are stippled to indicate surface texture.

[56] **References Cited**
U.S. PATENT DOCUMENTS

D. 16,150	7/1885	Ledig	D7/37
D. 59,287	10/1921	Sailer	D7/28
D. 216,435	1/1970	Swett et al.	D7/21
D. 219,050	10/1970	Beckman et al.	D7/21
D. 224,751	9/1972	Propst et al.	D7/37



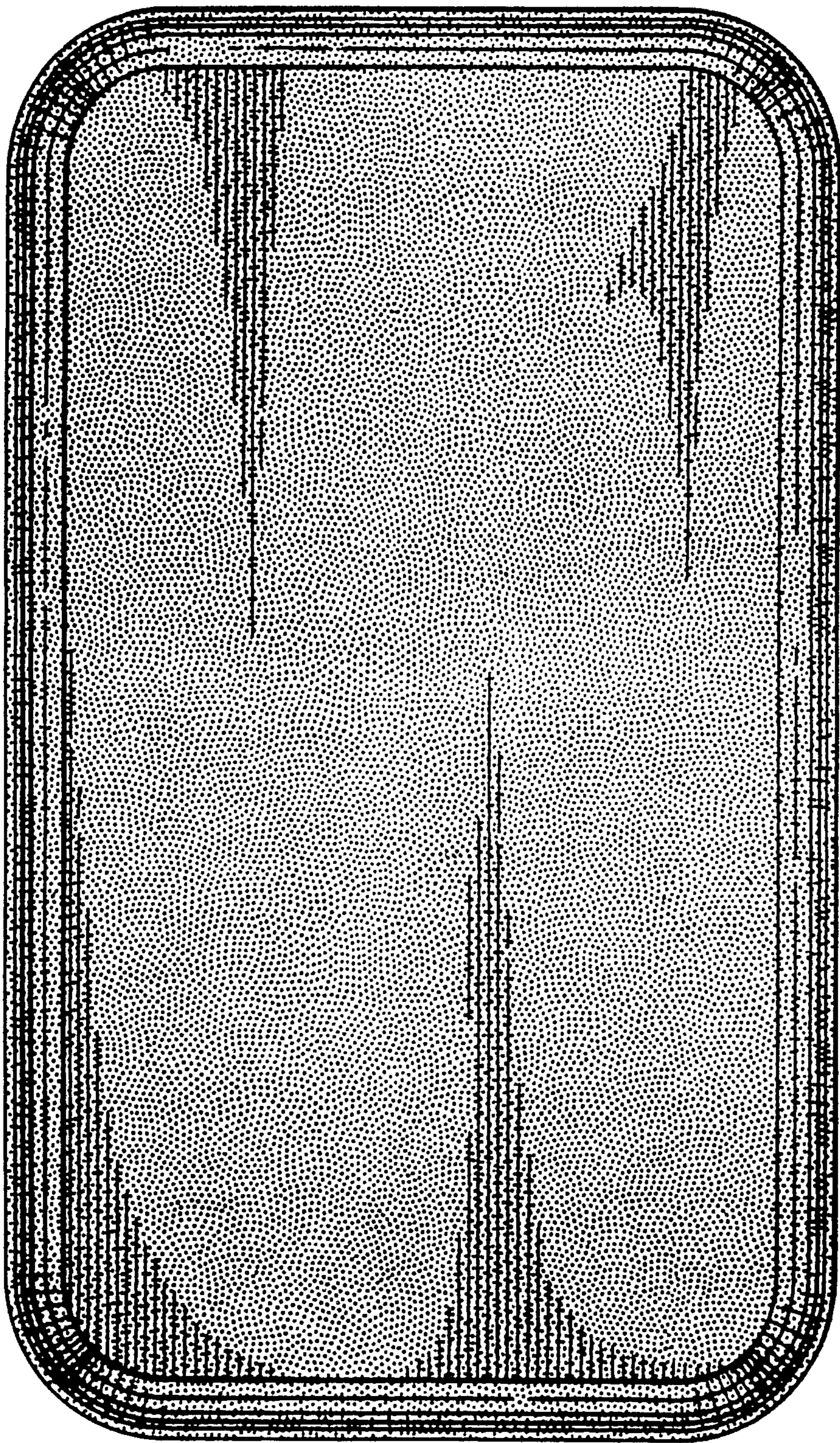


FIG. 1.

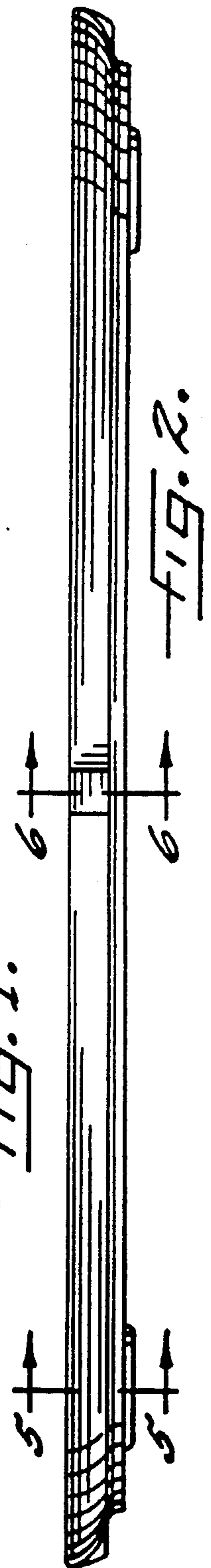


FIG. 2.

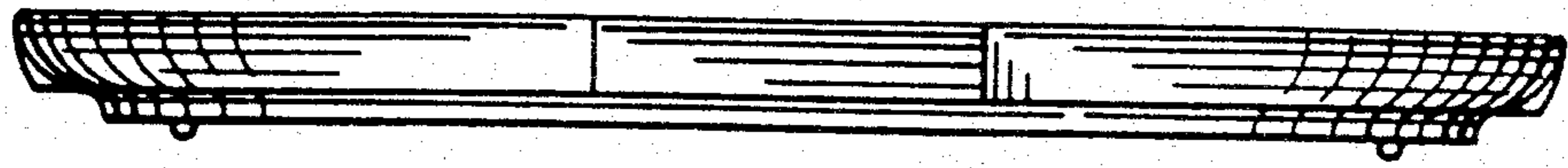


FIG. 3.

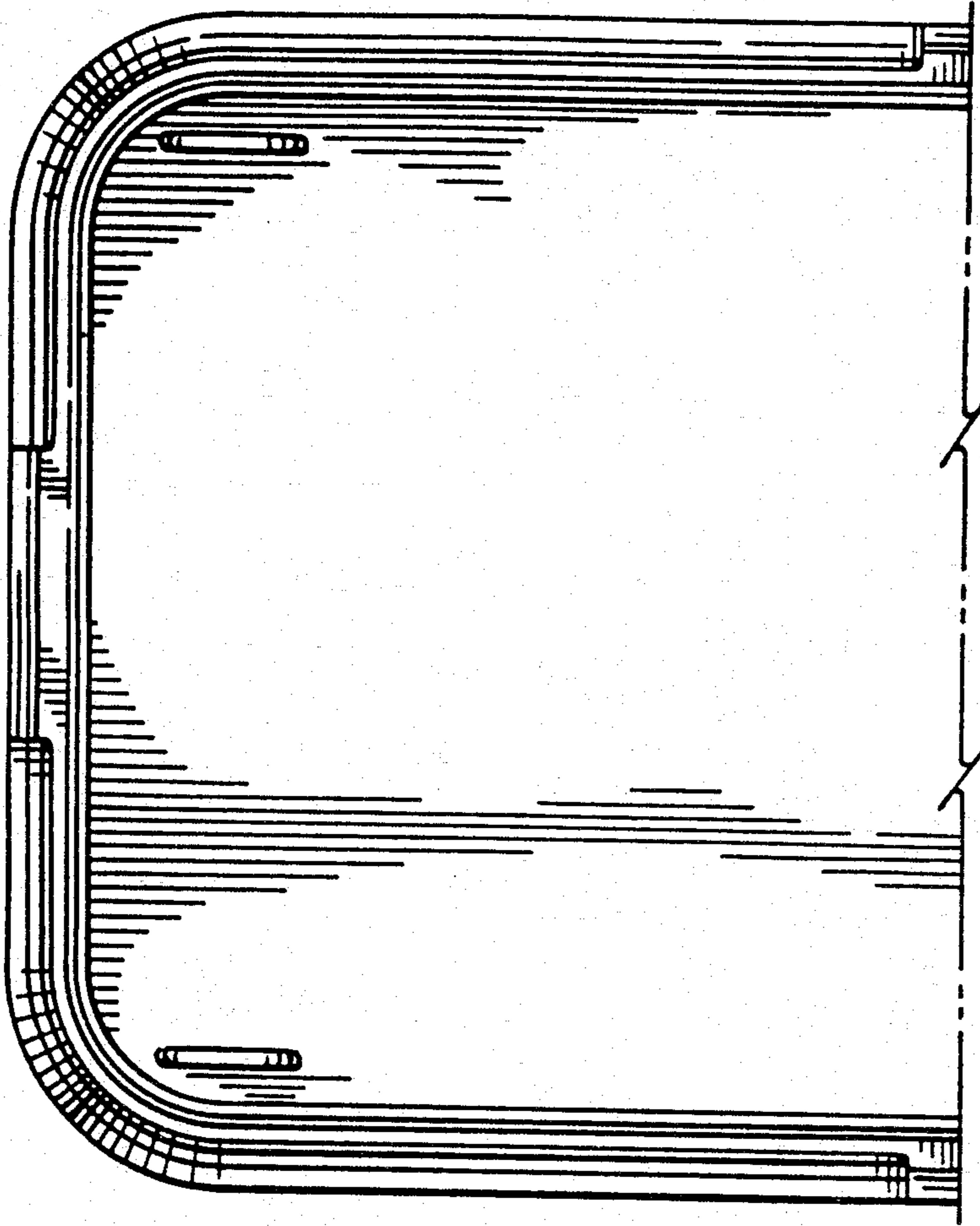


FIG. 4.

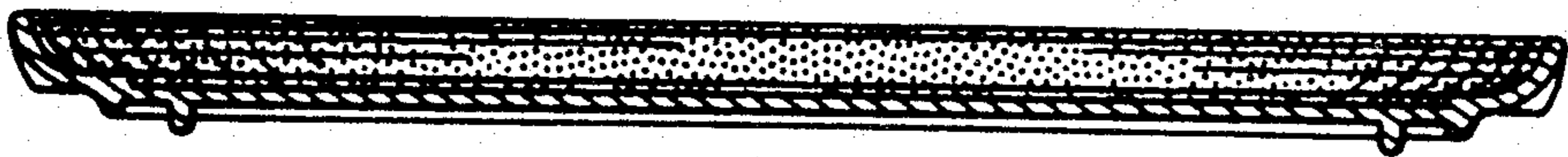


FIG. 5.



FIG. 6.